

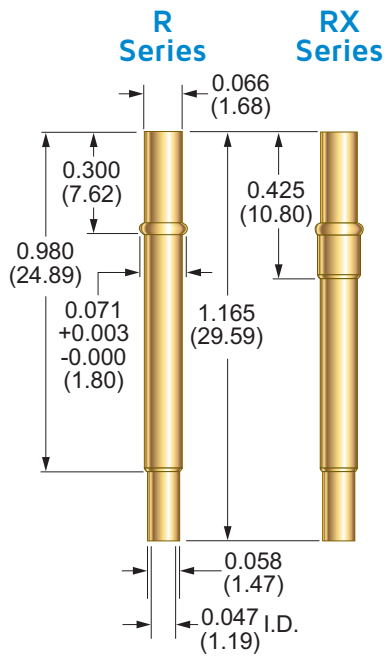
R-100 Series

0.100 (2.54) Centers

For ICT-100/S-100 Series Probes see pg. 5
 For S-100 Rotator Series Probes see pg. 7

For ICT-100 Lead Free Series Probes see pg. 6
 For ICT-L100 Series Probes see pg. 8

Part Number	Style/Termination	Receptacle or Terminal Length	Probe/Receptacle Combined Length		Notes
			ICT-100/S-100	ICT-L100	
R-100-CR	Crimp	1.165 (29.59)	1.495 (37.97)	1.645 (41.78)	—
R-100-SC	Solder Cup	1.165 (29.59)	1.495 (37.97)	1.645 (41.78)	—
R-100-RP	Round Post	1.540 (39.12)	1.870 (47.50)	2.020 (51.31)	0.375 post length – 0.025 dia.
R-100-WW-429	Wire Wrap	1.594 (40.49)	1.924 (48.87)	2.074 (52.68)	0.429 post length – 0.025 dia.



Probe Specifications

Minimum Centers	0.100 (2.54)
Drill Size	#50
Mounting Hole Size	0.068/0.070 (1.73/1.78)
Recommended Wire	22-26 gage
Materials	Nickel/silver, gold plated, gold plated post

Tools

Crimping Pliers	CP-2 (for 22-26 gage solid conductor)
Insertion Tool	RT-100

How to Order

R - 100 - WW - 429
 1 2 3

1 Series	R	R X ⁽¹⁾
2 Size	100	
3 Termination	CR	Crimp
	SC	Solder Cup
	RP	Round Post
	WW - 429	Wire wrap 0.429 post length

1. Improved pointing accuracy
 Dimensions are in inches (mm) | All specifications are subject to change

X-ON Electronics

Largest Supplier of Electrical and Electronic Components

Click to view similar products for [Contact Probes](#) category:

Click to view products by [Smiths Interconnect](#) manufacturer:

Other Similar products are found below :

[CT5253](#) [CT5082](#) [100039-033-958](#) [100077-003-0-0](#) [300122-031-1102](#) [R-2-RP-375](#) [S-4-C-5-G S/C](#) [300122-056-0203](#) [SS-75-B-2.4-G](#) [ICT-100-J-17-G](#) [SS-75-C-4.9-D D/C .620 OAL](#) [100165-033-952](#) [100024-002-942](#) [SS-75-E-4.9-D D/C .620 OAL](#) [SX-0-U-2.2-G D/C](#) [101740-028-948](#) [ICT-100-V8-8-G S/C](#) [ICT-100-A-8-G S/C](#) [ICT-075-B-10-G-S S/C](#) [S-2-D-8.3-G D/C](#) [S-2-D-10-G D/C](#) [GSS-19-7-G S/C OAL](#) [ICT-100-T-8-G S/C](#) [GSS-4-7-G](#) [S-0-B9-2.5-G S/C](#) [SS-40-J-2.4-G D/C](#) [S-0-A-2.2-D 660 S/C](#) [SS-50-J-3.3-D S/C](#) [S-0-V-3.7-G S/C](#) [SX-2-B-7-G D/C](#) [SX-1-U-6.6-G D/C](#) [SX-1-C-6.6-G D/C](#) [SS-75-D-4.9-D D/C .620 OAL](#) [SS-50-E-2.9-G S/C](#) [SS-40-J-1.8-G-N/L D/C](#) [SS-3-7-G S/C W/HOLE .373 OAL](#) [SS-18-7-G S/C W/HOLE .405 OAL](#) [SS-10-7-G S/C W/HOLE .373 OAL](#) [SS-1-7-G S/C W/HOLE .385 OAL](#) [SHE-5-H-18.7-G](#) [SHE-5-B-18.7-G](#) [SHE-5-A-18.7-G](#) [SHE-3-A-7-G](#) [SH-4-A-10-G S/C](#) [101057-001-952](#) [S-50C-HS-4.3-DG-S](#) [S-5-F-8-G S/C SS SPGS](#) [S-5-F-16.4-G S/C](#) [S-4-E-5-D S/C](#) [S-2-J-8.3-G D/C](#)