

# Series S SIZE 5 .187 CENTERS

## BeCu PLUNGER TIPS



## PROBE SPECIFICATIONS

**Minimum Centers:** .187 (4.75)  
.275 (6.99) for HLF tip style

**Current Rating:** 5 amps  
continuous

**Spring Force:** 8.0, or 16.4 oz.  
@ .170 (4.32) travel

**Typical Resistance:** < 8 mΩ

**Maximum Travel:** .250 (6.35)

**Working Travel:** .170 (4.32)

Rated Force oz (g)	Preload oz (g)	Material
8.0 (227)	3.1 (88)	SS
16.4 (465)	2.8 (79)	MW

## MATERIALS

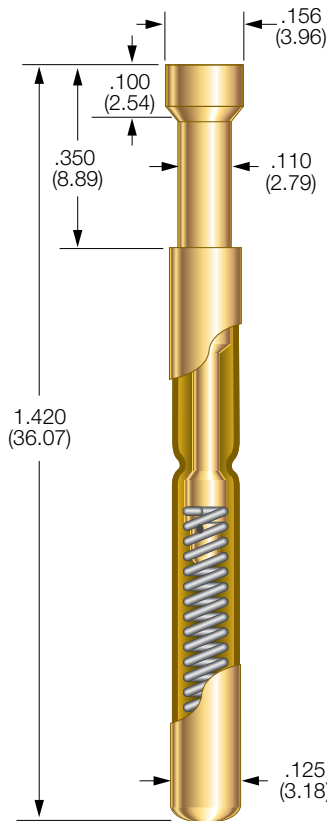
**Barrel:** Nickel/silver, gold plated

**Spring:** Music wire or stainless steel

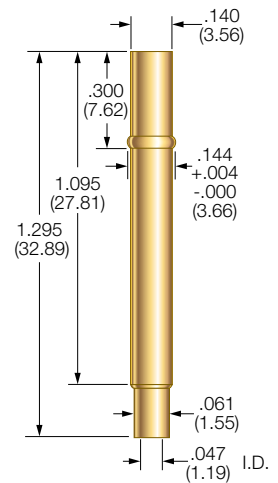
**Plunger:** Beryllium copper, gold plated over nickel or Duralloy™

**Receptacle:** Nickel/silver, gold plated, gold plated post

## S-5 PROBE



## R-5 Receptacle



**Drill Size:** 3,60mm

**Mounting Hole Size:**  
.141/.143 (3.58/3.63)

**Recommended Wire:** 22-26 gage

## RECEPTACLE OPTIONS

Part Number	Style	Receptacle Length	Probe/Receptacle Combined Length	Comments
R-5-CR	Crimp	1.295 (32.89)	1.620 (41.15)	—
R-5-SC	Solder Cup	1.295 (32.89)	1.620 (41.15)	—
R-5-WW-429	Wire Wrap	1.724 (43.79)	2.049 (52.04)	.429 post length - .025 sq.

## HOW TO ORDER: SPRING CONTACT PROBE

<b>S</b>	<b>5</b>	<b>A</b>	<b>16.4</b>	<b>G</b>
SERIES	SIZE	TIP STYLE	SPRING FORCE	PLATING OPTIONS

**SPRING FORCE:**  
8.0 oz. @ .170 (4.32) TRAVEL  
16.4 oz. @ .170 (4.32) TRAVEL

**CRIMPING PLIERS:** CP5  
**INSERTION TOOL:** RT5

**PLATING OPTIONS:**  
**G:** GOLD PLATED PLUNGER  
**D:** DURALLOY™ PLATED PLUNGER

## RECEPTACLE

<b>R</b>	<b>5</b>	<b>WW</b>	<b>429</b>
SERIES	SIZE	TERMINATION	POST LENGTH

**TERMINATIONS:**  
**CR:** CRIMP  
**SC:** SOLDER CUP  
**WW:** WIRE WRAP

**POST LENGTH:**  
**WW:** 429

VIEW UPDATES OF THIS INFORMATION AT [WWW.IDINET.COM](http://WWW.IDINET.COM)

Specifications subject to change without notice. Dimensions in inches (millimeters)

## X-ON Electronics

Largest Supplier of Electrical and Electronic Components

*Click to view similar products for [Contact Probes](#) category:*

*Click to view products by [Smiths Interconnect](#) manufacturer:*

Other Similar products are found below :

[CT5253](#) [CT5082](#) [100039-033-958](#) [100077-003-0-0](#) [300122-031-1102](#) [R-2-RP-375](#) [S-4-C-5-G S/C](#) [300122-056-0203](#) [SS-75-B-2.4-G](#) [ICT-100-J-17-G](#) [SS-75-C-4.9-D D/C .620 OAL](#) [100165-033-952](#) [100024-002-942](#) [SS-75-E-4.9-D D/C .620 OAL](#) [SX-0-U-2.2-G D/C](#) [101740-028-948](#) [ICT-100-V8-8-G S/C](#) [ICT-100-A-8-G S/C](#) [ICT-075-B-10-G-S S/C](#) [S-2-D-8.3-G D/C](#) [S-2-D-10-G D/C](#) [GSS-19-7-G S/C OAL](#) [ICT-100-T-8-G S/C](#) [GSS-4-7-G](#) [S-0-B9-2.5-G S/C](#) [SS-40-J-2.4-G D/C](#) [S-0-A-2.2-D 660 S/C](#) [SS-50-J-3.3-D S/C](#) [S-0-V-3.7-G S/C](#) [SX-2-B-7-G D/C](#) [SX-1-U-6.6-G D/C](#) [SX-1-C-6.6-G D/C](#) [SS-75-D-4.9-D D/C .620 OAL](#) [SS-50-E-2.9-G S/C](#) [SS-40-J-1.8-G-N/L D/C](#) [SS-3-7-G S/C W/HOLE .373 OAL](#) [SS-18-7-G S/C W/HOLE .405 OAL](#) [SS-10-7-G S/C W/HOLE .373 OAL](#) [SS-1-7-G S/C W/HOLE .385 OAL](#) [SHE-5-H-18.7-G](#) [SHE-5-B-18.7-G](#) [SHE-5-A-18.7-G](#) [SHE-3-A-7-G](#) [SH-4-A-10-G S/C](#) [101057-001-952](#) [S-50C-HS-4.3-DG-S](#) [S-5-F-8-G S/C SS SPGS](#) [S-5-F-16.4-G S/C](#) [S-4-E-5-D S/C](#) [S-2-J-8.3-G D/C](#)