

# Series S Size 0 - .050 Centers

## BeCu PLUNGER TIPS



## PROBE SPECIFICATIONS

**Minimum Centers:** .050 (1.27)  
**Current Rating:** 3 amps continuous  
**Spring Force:** 2.2, 2.5 or 3.7 oz. @ .070 (1.78) travel  
**Typical Resistance:** < 35 mΩ  
**Maximum Travel:** .100 (2.54)  
**Working Travel:** .070 (1.78)

Rated Force oz. (g)	Preload oz. (g)	Material
2.2 (62)	0.6 (17)	BeCu
2.5 (71)	0.6 (17)	SS
3.7 (105)	1.9 (54)	MW

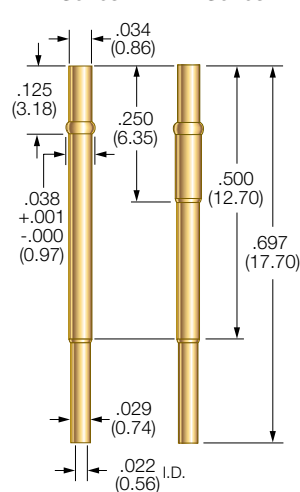
## MATERIALS

**Barrel:** Nickel/silver, gold plated  
**Spring:** Beryllium copper, music wire or stainless steel, gold plated  
**Plunger:** Beryllium copper, gold plated over nickel or Duralloy™  
**Receptacle:** Nickel/silver, gold plated, gold plated post  
**Plug-In Terminal:** Beryllium copper, preplated gold

## S-0 PROBE



## R-0 Receptacles



**Drill Size:** #64  
**Mounting Hole Size:** .035/.0365 (0.89/0.93)  
**Recommended Wire:** 28-30 gage

## RECEPTACLE OPTIONS

Part Number	Style	Receptacle Length	Probe/Receptacle Combined Length	Comments
R-0-CR	Crimp	0.697 (17.70)	0.857 (21.77)	—
R-0-SC	Solder Cup	0.697 (17.70)	0.857 (21.77)	—
R-0-WW-016	Wire Wrap	0.947 (24.05)	1.107 (28.12)	.250 post length - .016 sq.
R-0-WW-025	Wire Wrap	0.997 (25.32)	1.157 (29.39)	.300 post length - .025 sq.
R-0-PW	Preattached Wire	0.697 (17.70)	0.857 (21.77)	30 gage - non vacuum sealed*
R-0-DS	Duraseal®	0.697 (17.70)	0.857 (21.77)	30 gage - vacuum sealed*
R-0-WT	Plug-In Receptacle	0.697 (17.70)	0.857 (21.77)	For use with FP-Plug terminal
FP-Plug	Plug-In Terminal	—	—	Plugs into R-0-WT receptacle*

\* Unless otherwise specified, wire length 36", strip length 1", 30 gage Kynar

## HOW TO ORDER: SPRING CONTACT PROBE

<b>S</b> SERIES	<b>0</b> SIZE	<b>A</b> TIP STYLE	<b>2.2</b> SPRING FORCE	<b>G</b> PLATING OPTIONS
SERIES: S: STANDARD SX: IMPROVED POINTING ACCURACY		PLATING OPTIONS: G: GOLD PLATED PLUNGER D: DURALLOY™ PLATED PLUNGER		
SPRING FORCE: 2.2 oz. @ .070 (1.78) TRAVEL 2.5 oz. @ .070 (1.78) TRAVEL 3.7 oz. @ .070 (1.78) TRAVEL		CRIMPING PLIERS: CP0 INSERTION TOOL: RT0 WIRE PLUG TOOL: RTWT		

## RECEPTACLE

<b>R</b> SERIES	<b>0</b> SIZE	<b>CR</b> TERMINATION
SERIES: R: HIGH PERFORMANCE RX: IMPROVED POINTING ACCURACY		TERMINATIONS: CR: CRIMP SC: SOLDER CUP WW-016: WIRE WRAP .016 SQ WW-025: WIRE WRAP .025 SQ PW: PREATTACHED WIRE* DS: DURASEAL* WT: PLUG-IN RECEPTACLE**
* UNLESS OTHERWISE SPECIFIED, WIRE LENGTH 36", STRIP LENGTH 1", 30 GAGE KYNAR. 12" & 36" STANDARD.		
**FOR USE WITH FP-PLUG TERMINAL. 12" & 36" STANDARD		

VIEW UPDATES OF THIS INFORMATION AT [WWW.IDINET.COM](http://WWW.IDINET.COM)

Specifications subject to change without notice. Dimensions in inches (millimeters)

## X-ON Electronics

Largest Supplier of Electrical and Electronic Components

*Click to view similar products for [Contact Probes](#) category:*

*Click to view products by [Smiths Interconnect](#) manufacturer:*

Other Similar products are found below :

[CT5253](#) [CT5082](#) [100039-033-958](#) [100077-003-0-0](#) [300122-031-1102](#) [R-2-RP-375](#) [S-4-C-5-G S/C](#) [300122-056-0203](#) [SS-75-B-2.4-G](#) [ICT-100-J-17-G](#) [SS-75-C-4.9-D D/C .620 OAL](#) [100165-033-952](#) [100024-002-942](#) [SS-75-E-4.9-D D/C .620 OAL](#) [SX-0-U-2.2-G D/C](#) [101740-028-948](#) [ICT-100-V8-8-G S/C](#) [ICT-100-A-8-G S/C](#) [ICT-075-B-10-G-S S/C](#) [S-2-D-8.3-G D/C](#) [S-2-D-10-G D/C](#) [GSS-19-7-G S/C OAL](#) [ICT-100-T-8-G S/C](#) [GSS-4-7-G](#) [S-0-B9-2.5-G S/C](#) [SS-40-J-2.4-G D/C](#) [S-0-A-2.2-D 660 S/C](#) [SS-50-J-3.3-D S/C](#) [S-0-V-3.7-G S/C](#) [SX-2-B-7-G D/C](#) [SX-1-U-6.6-G D/C](#) [SX-1-C-6.6-G D/C](#) [SS-75-D-4.9-D D/C .620 OAL](#) [SS-50-E-2.9-G S/C](#) [SS-40-J-1.8-G-N/L D/C](#) [SS-3-7-G S/C W/HOLE .373 OAL](#) [SS-18-7-G S/C W/HOLE .405 OAL](#) [SS-10-7-G S/C W/HOLE .373 OAL](#) [SS-1-7-G S/C W/HOLE .385 OAL](#) [SHE-5-H-18.7-G](#) [SHE-5-B-18.7-G](#) [SHE-5-A-18.7-G](#) [SHE-3-A-7-G](#) [SH-4-A-10-G S/C](#) [101057-001-952](#) [S-50C-HS-4.3-DG-S](#) [S-5-F-8-G S/C SS SPGS](#) [S-5-F-16.4-G S/C](#) [S-4-E-5-D S/C](#) [S-2-J-8.3-G D/C](#)