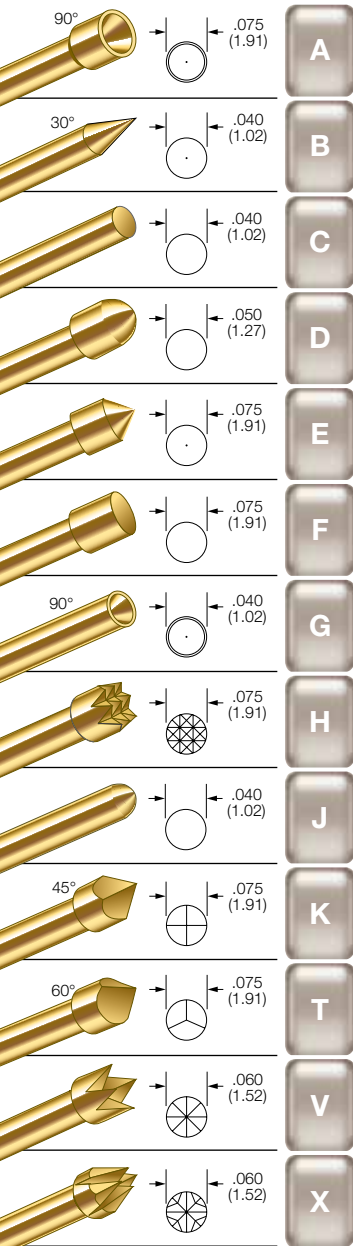


# Series S SIZE 2 .100 CENTERS

## BeCu PLUNGER TIPS



## PROBE SPECIFICATIONS

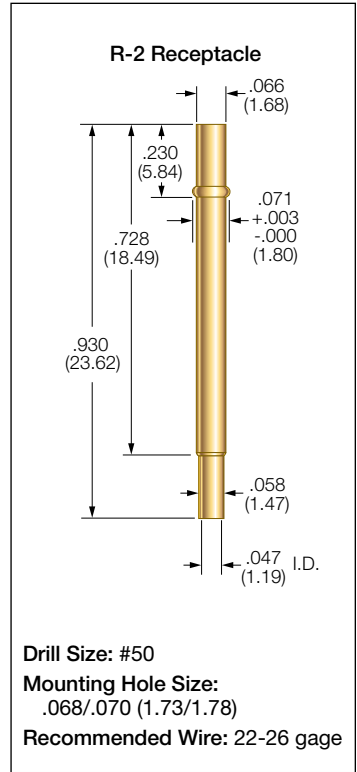
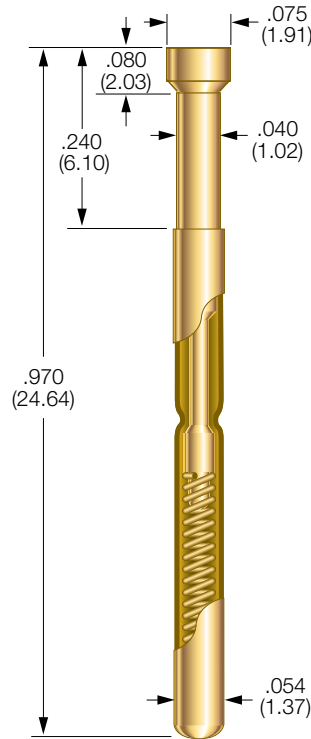
**Minimum Centers:** .100 (2.54)  
**Current Rating:** 3 amps continuous  
**Spring Force:** 4.0, 7.0, 8.3 or 10.0 oz. @ .100 (2.54) travel  
**Typical Resistance:** < 35 mΩ  
**Maximum Travel:** .160 (4.06)  
**Working Travel:** .100 (2.54)

Rated Force oz (g)	Preload oz (g)	Material
4.0 (113)	1.6 (45)	BeCu
7.0 (198)	2.9 (82)	SS
8.3 (235)	3.3 (93)	MW
10.0 (283)	3.9 (110)	MW

## MATERIALS

**Barrel:** Nickel/silver, gold plated  
**Spring:** Beryllium copper, precious metal plated, music wire or stainless steel, gold plated  
**Plunger:** Beryllium copper, gold plated over nickel or Duralloy™  
**Receptacle:** Nickel/silver, gold plated; gold plated post

## S-2 PROBE



## RECEPTACLE OPTIONS

Part Number	Style	Receptacle Length	Probe/Receptacle Combined Length	Comments
R-2-CR	Crimp	0.930 (23.62)	1.170 (29.72)	—
R-2-SC	Solder Cup	0.930 (23.62)	1.170 (29.72)	—
R-2-RP	Round Post	1.305 (31.15)	1.545 (39.24)	.375 post length - .025 dia.
R-2-WW-429	Wire Wrap	1.359 (34.52)	1.599 (40.61)	.429 post length - .025 sq.

## HOW TO ORDER: SPRING CONTACT PROBE

<b>S</b>	<b>2</b>	<b>A</b>	<b>4</b>	<b>G</b>
SERIES	SIZE	TIP STYLE	SPRING FORCE	PLATING OPTIONS

**SPRING FORCE:**  
 4.0 oz. @ .100 (2.54) TRAVEL  
 7.0 oz. @ .100 (2.54) TRAVEL  
 8.3 oz. @ .100 (2.54) TRAVEL  
 10.0 oz. @ .100 (2.54) TRAVEL

**SERIES:**  
**S:** STANDARD  
**SX:** IMPROVED POINTING ACCURACY

**PLATING OPTIONS:**  
**G:** GOLD PLATED PLUNGER  
**D:** DURALLOY™ PLATED PLUNGER

**CRIMPING PLIERS:** CP2  
**INSERTION TOOL:** RT2

## RECEPTACLE

<b>R</b>	<b>2</b>	<b>WW</b>	<b>429</b>
SERIES	SIZE	TERMINATION	POST LENGTH

**TERMINATIONS:**  
**CR:** CRIMP  
**SC:** SOLDER CUP  
**RP:** ROUND POST  
**WW:** WIRE WRAP

**POST LENGTH:**  
**WW:** 429

VIEW UPDATES OF THIS INFORMATION AT [WWW.IDINET.COM](http://WWW.IDINET.COM)

Specifications subject to change without notice. Dimensions in inches (millimeters)

## X-ON Electronics

Largest Supplier of Electrical and Electronic Components

*Click to view similar products for [Contact Probes](#) category:*

*Click to view products by [Smiths Interconnect](#) manufacturer:*

Other Similar products are found below :

[CT5253](#) [CT5082](#) [100039-033-958](#) [100077-003-0-0](#) [300122-031-1102](#) [R-2-RP-375](#) [S-4-C-5-G S/C](#) [300122-056-0203](#) [SS-75-B-2.4-G](#) [ICT-100-J-17-G](#) [SS-75-C-4.9-D D/C .620 OAL](#) [100165-033-952](#) [100024-002-942](#) [SS-75-E-4.9-D D/C .620 OAL](#) [SX-0-U-2.2-G D/C](#) [101740-028-948](#) [ICT-100-V8-8-G S/C](#) [ICT-100-A-8-G S/C](#) [ICT-075-B-10-G-S S/C](#) [S-2-D-8.3-G D/C](#) [S-2-D-10-G D/C](#) [GSS-19-7-G S/C OAL](#) [ICT-100-T-8-G S/C](#) [GSS-4-7-G](#) [S-0-B9-2.5-G S/C](#) [SS-40-J-2.4-G D/C](#) [S-0-A-2.2-D 660 S/C](#) [SS-50-J-3.3-D S/C](#) [S-0-V-3.7-G S/C](#) [SX-2-B-7-G D/C](#) [SX-1-U-6.6-G D/C](#) [SX-1-C-6.6-G D/C](#) [SS-75-D-4.9-D D/C .620 OAL](#) [SS-50-E-2.9-G S/C](#) [SS-40-J-1.8-G-N/L D/C](#) [SS-3-7-G S/C W/HOLE .373 OAL](#) [SS-18-7-G S/C W/HOLE .405 OAL](#) [SS-10-7-G S/C W/HOLE .373 OAL](#) [SS-1-7-G S/C W/HOLE .385 OAL](#) [SHE-5-H-18.7-G](#) [SHE-5-B-18.7-G](#) [SHE-5-A-18.7-G](#) [SHE-3-A-7-G](#) [SH-4-A-10-G S/C](#) [101057-001-952](#) [S-50C-HS-4.3-DG-S](#) [S-5-F-8-G S/C SS SPGS](#) [S-5-F-16.4-G S/C](#) [S-4-E-5-D S/C](#) [S-2-J-8.3-G D/C](#)