

PROBE SPECIFICATIONS

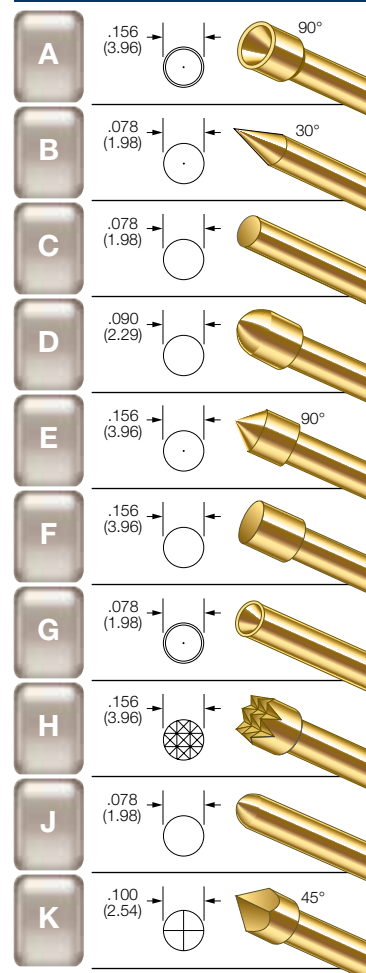
Minimum Centers:
 Tip Styles B, C, D, G, J, K
 .156 (3.96)
 Tip Styles A, E, F, H
 .187 (4.75)
Current Rating: 5 amps continuous
Spring Force: 5.0 or 7.0 oz. @ .170 (4.32) travel
Typical Resistance: < 20 mΩ
Maximum Travel: .250 (6.35)
Working Travel: .170 (4.32)

Rated Force oz (g)	Preload oz (g)
5.0 (142)	2.0 (57)
7.0 (198)	2.8 (79)

MATERIALS

Barrel: Nickel/silver, gold plated
Spring: Stainless steel, gold plated
Plunger: Beryllium copper, gold plated over nickel or Duralloy™
Receptacle: Nickel/silver, gold plated, gold plated post

BeCu PLUNGER TIPS



RECEPTACLE OPTIONS

Part Number	Style	Receptacle Length	Probe/Receptacle Combined Length*	Comments
R-4-CR	Crimp	1.219 (30.96)	1.549 (39.34)	—
R-4-SC	Solder Cup	1.219 (30.96)	1.549 (39.34)	—
R-4-WW-429	Wire Wrap	1.648 (41.86)	1.978 (50.24)	.429 post length - .025 sq.

* Headless probes sit .020" deeper in receptacle. Dimension shown is for headed probe.

HOW TO ORDER: SPRING CONTACT PROBE

RECEPTACLE

S	4	A	5	G	R	4	WW	429		
SERIES	SIZE	TIP STYLE	SPRING FORCE	PLATING OPTIONS	SERIES	SIZE	TERMINATION	POST LENGTH		
SPRING FORCE: 5.0 oz. @ .170 (4.32) TRAVEL 7.0 oz. @ .170 (4.32) TRAVEL				PLATING OPTIONS: G: GOLD PLATED PLUNGER D: DURALLOY™ PLATED PLUNGER				TERMINATIONS: CR: CRIMP SC: SOLDER CUP WW: WIRE WRAP		POST LENGTH: WW: 429
CRIMPING PLIERS: CP4 INSERTION TOOL: RT4										

VIEW UPDATES OF THIS INFORMATION AT WWW.IDINET.COM

Specifications subject to change without notice. Dimensions in inches (millimeters)

X-ON Electronics

Largest Supplier of Electrical and Electronic Components

Click to view similar products for [Contact Probes](#) category:

Click to view products by [Smiths Interconnect](#) manufacturer:

Other Similar products are found below :

[CT5253](#) [CT5082](#) [100039-033-958](#) [100077-003-0-0](#) [300122-031-1102](#) [R-2-RP-375](#) [S-4-C-5-G S/C](#) [300122-056-0203](#) [SS-75-B-2.4-G](#) [ICT-100-J-17-G](#) [SS-75-C-4.9-D D/C .620 OAL](#) [100165-033-952](#) [100024-002-942](#) [SS-75-E-4.9-D D/C .620 OAL](#) [SX-0-U-2.2-G D/C](#) [101740-028-948](#) [ICT-100-V8-8-G S/C](#) [ICT-100-A-8-G S/C](#) [ICT-075-B-10-G-S S/C](#) [S-2-D-8.3-G D/C](#) [S-2-D-10-G D/C](#) [GSS-19-7-G S/C OAL](#) [ICT-100-T-8-G S/C](#) [GSS-4-7-G](#) [S-0-B9-2.5-G S/C](#) [SS-40-J-2.4-G D/C](#) [S-0-A-2.2-D 660 S/C](#) [SS-50-J-3.3-D S/C](#) [S-0-V-3.7-G S/C](#) [SX-2-B-7-G D/C](#) [SX-1-U-6.6-G D/C](#) [SX-1-C-6.6-G D/C](#) [SS-75-D-4.9-D D/C .620 OAL](#) [SS-50-E-2.9-G S/C](#) [SS-40-J-1.8-G-N/L D/C](#) [SS-3-7-G S/C W/HOLE .373 OAL](#) [SS-18-7-G S/C W/HOLE .405 OAL](#) [SS-10-7-G S/C W/HOLE .373 OAL](#) [SS-1-7-G S/C W/HOLE .385 OAL](#) [SHE-5-H-18.7-G](#) [SHE-5-B-18.7-G](#) [SHE-5-A-18.7-G](#) [SHE-3-A-7-G](#) [SH-4-A-10-G S/C](#) [101057-001-952](#) [S-50C-HS-4.3-DG-S](#) [S-5-F-8-G S/C SS SPGS](#) [S-5-F-16.4-G S/C](#) [S-4-E-5-D S/C](#) [S-2-J-8.3-G D/C](#)