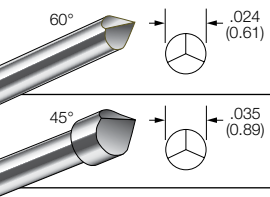


S-50C Rotator .050 Centers

BeCu PLUNGER TIPS



PROBE SPECIFICATIONS

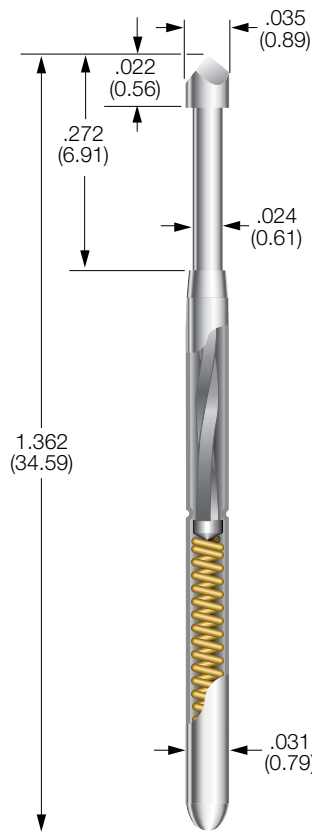
Minimum Centers: .050 (1.27)
 Current Rating: 3 amps continuous
 Spring Force: 3.7oz. @ .170 (4.32) travel
 Typical Resistance: < 25 mΩ
 Maximum Travel: .250 (6.35)
 Working Travel: .170 (4.32)
 Rotates: 85° @ .170 (4.32) travel

Rated Force oz. (g)	Preload oz. (g)
3.7 (105)	1.5 (42)

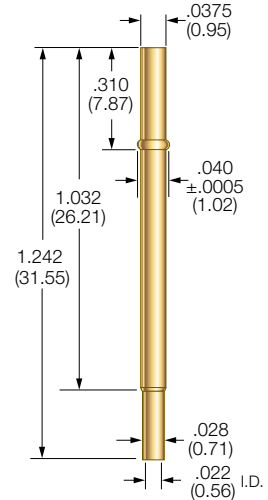
MATERIALS

Barrel: Nickel/silver, gold lined
 Spring: Music wire, gold plated
 Plunger: Beryllium copper, Duralloy™ plated
 Receptacle: Beryllium copper, preplated gold, gold plated post
 Plug-In Terminal: Beryllium copper, preplated gold

S-50C ROTATOR



R-50C Receptacle



Drill Size: #61
 Mounting Hole Size: .0385/.0390 (0.98/0.99)
 Recommended Wire: 28-30 gage

RECEPTACLE OPTIONS

Part Number	Style	Receptacle Length	Probe/Receptacle Combined Length	Comments
R-50C-CR	Crimp	1.242 (31.55)	1.572 (39.93)	—
R-50C-SC	Solder Cup	1.242 (31.55)	1.572 (39.93)	—
R-50C-WW-016	Wire Wrap	1.492 (37.88)	1.822 (46.28)	.250 post length - .016 sq.
R-50C-WW-025	Wire Wrap	1.542 (39.17)	1.872 (47.55)	.300 post length - .025 sq.
R-50C-DS	DuraSeal®	1.242 (31.55)	1.572 (39.93)	30 gage wire, vacuum sealed *
R-50C-WT	Plug-In Receptacle	1.242 (31.55)	1.572 (39.93)	For use with FP-Plug plug-in terminal
FP-Plug	Plug-In Terminal	—	—	Plugs into R-50C-WT receptacle *

* Unless otherwise specified, wire length 36", strip length 1", 30 gage Kynar

HOW TO ORDER: SPRING CONTACT PROBE

S	50C	TL	3.7	RT
SERIES	SIZE	TIP STYLE	SPRING FORCE	ROTATOR

CRIMPING PLIERS: CPR50C
 INSERTION TOOL: RTR50C

RECEPTACLE

R	50C	CR
SERIES	SIZE	TERMINATION

TERMINATIONS:

CR: CRIMP
 SC: SOLDER CUP
 WW-016: WIRE WRAP .016 SQ
 WW-025: WIRE WRAP .025 SQ

DS: DURASEAL*

WT: PLUG-IN RECEPTACLE **

* UNLESS OTHERWISE SPECIFIED, WIRE LENGTH 36", STRIP LENGTH 1", 30 GAGE KYNAR. 12" & 36" STANDARD.

**FOR USE WITH FP-PLUG PLUG-IN TERMINAL. 12" & 36" STANDARD.

VIEW UPDATES OF THIS INFORMATION AT WWW.IDINET.COM

Specifications subject to change without notice. Dimensions in inches (millimeters)

X-ON Electronics

Largest Supplier of Electrical and Electronic Components

Click to view similar products for [Contact Probes](#) category:

Click to view products by [Smiths Interconnect](#) manufacturer:

Other Similar products are found below :

[CT5253](#) [CT5082](#) [100039-033-958](#) [100077-003-0-0](#) [300122-031-1102](#) [R-2-RP-375](#) [S-4-C-5-G S/C](#) [300122-056-0203](#) [SS-75-B-2.4-G](#) [ICT-100-J-17-G](#) [SS-75-C-4.9-D D/C .620 OAL](#) [100165-033-952](#) [100024-002-942](#) [SS-75-E-4.9-D D/C .620 OAL](#) [SX-0-U-2.2-G D/C](#) [101740-028-948](#) [ICT-100-V8-8-G S/C](#) [ICT-100-A-8-G S/C](#) [ICT-075-B-10-G-S S/C](#) [S-2-D-8.3-G D/C](#) [S-2-D-10-G D/C](#) [GSS-19-7-G S/C OAL](#) [ICT-100-T-8-G S/C](#) [GSS-4-7-G](#) [S-0-B9-2.5-G S/C](#) [SS-40-J-2.4-G D/C](#) [S-0-A-2.2-D 660 S/C](#) [SS-50-J-3.3-D S/C](#) [S-0-V-3.7-G S/C](#) [SX-2-B-7-G D/C](#) [SX-1-U-6.6-G D/C](#) [SX-1-C-6.6-G D/C](#) [SS-75-D-4.9-D D/C .620 OAL](#) [SS-50-E-2.9-G S/C](#) [SS-40-J-1.8-G-N/L D/C](#) [SS-3-7-G S/C W/HOLE .373 OAL](#) [SS-18-7-G S/C W/HOLE .405 OAL](#) [SS-10-7-G S/C W/HOLE .373 OAL](#) [SS-1-7-G S/C W/HOLE .385 OAL](#) [SHE-5-H-18.7-G](#) [SHE-5-B-18.7-G](#) [SHE-5-A-18.7-G](#) [SHE-3-A-7-G](#) [SH-4-A-10-G S/C](#) [101057-001-952](#) [S-50C-HS-4.3-DG-S](#) [S-5-F-8-G S/C SS SPGS](#) [S-5-F-16.4-G S/C](#) [S-4-E-5-D S/C](#) [S-2-J-8.3-G D/C](#)