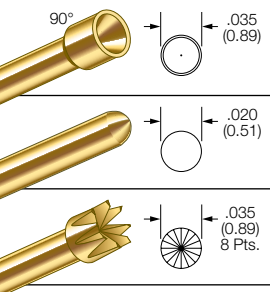


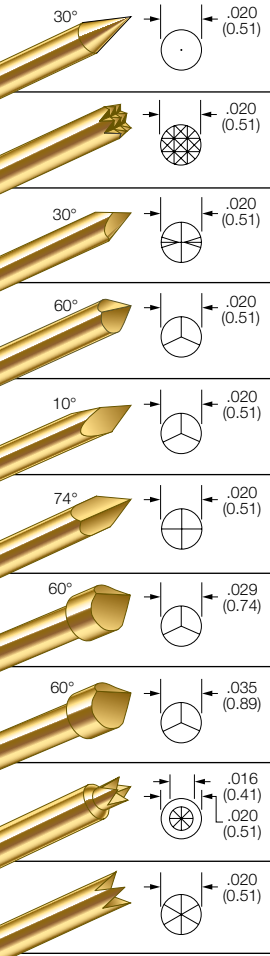
ICT-50J and S-50J Size 50J - .050 Centers

BeCu PLUNGER TIPS



- A
- J
- V8

STEEL PLUNGER TIPS



- B
- HS
- M
- S
- SP
- SW
- T
- TL
- UR
- Z

PROBE SPECIFICATIONS

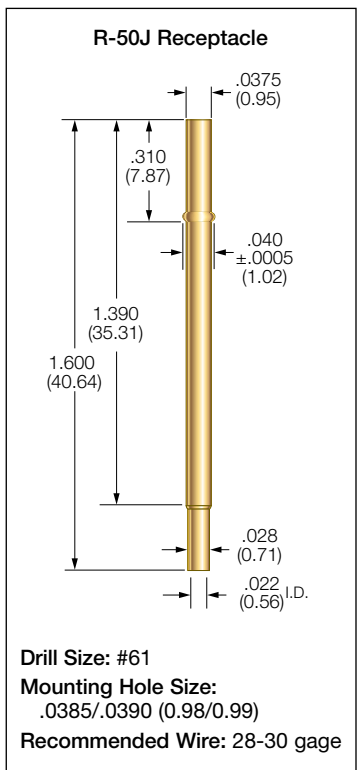
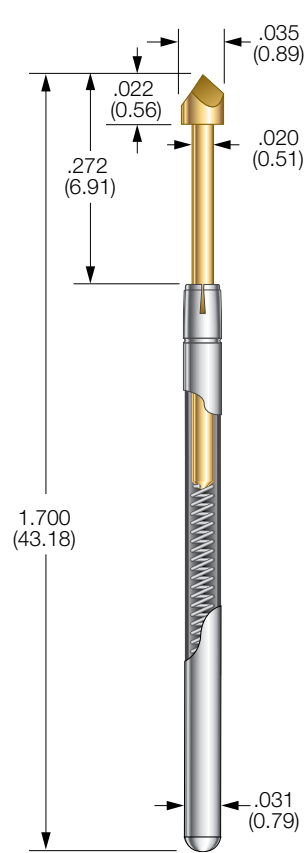
Minimum Centers: .050 (1.27)
Current Rating: 3 amps continuous
Spring Force: 4.0, 5.6, 7.0 or 10.0 oz. @ .170 (4.32) travel
Typical Resistance:
 < 20 mΩ for ICT-50J
 < 25 mΩ for S-50J
Maximum Travel: .250 (6.35)
Working Travel: .170 (4.32)

Rated Force oz. (g)	Preload oz. (g)	Material
4.0 (113)	1.8 (51)	SS
5.6 (159)	2.5 (71)	SS
7.0 (198)	3.1 (88)	MW
10.0 (283)	4.6 (130)	MW

MATERIALS

Barrel: Nickel/silver, gold lined
Spring: Music wire, nickel plated or stainless steel
Plunger: Beryllium copper or steel, gold plated over nickel
Receptacle: Beryllium copper, preplated gold, gold plated post
Terminal: Beryllium copper, preplated gold

ICT-50J/S-50J PROBE



RECEPTACLE OPTIONS

Part Number	Style	Receptacle Length	Probe/Receptacle Combined Length	Comments
R-50J-CR	Crimp	1.600 (40.64)	1.910 (48.51)	—
R-50J-SC	Solder Cup	1.600 (40.64)	1.910 (48.51)	—
R-50J-WW-016	Wire Wrap	1.850 (46.99)	2.160 (54.86)	.250 post length - .016 sq.
R-50J-WW-025	Wire Wrap	1.900 (48.26)	2.210 (56.13)	.300 post length - .025 sq.
R-50J-DS	Duraseal®	1.600 (40.64)	1.910 (48.51)	30 gage wire, vacuum sealed*
R-50J-WT	Plug-In Receptacle	1.600 (40.64)	1.910 (48.51)	For use with FP-Plug plug-in terminal
FP-Plug	Plug-In Terminal	—	—	Plugs into R-50J-WT receptacle *

* Unless otherwise specified, wire length 36", strip length 1", 30 gage Kynar

HOW TO ORDER: SPRING CONTACT PROBE RECEPTACLE

ICT	50J	T	5.6	DG	S	R	50J	CR
SERIES	SIZE	TIP STYLE	SPRING FORCE	PLATING OPTIONS	STEEL PLUNGER OPTION	SERIES	SIZE	TERMINATION
SERIES: ICT: HIGH PERFORMANCE S: STANDARD PERFORMANCE, (NO BIFURCATED BEAM)		SPRING FORCE: 4.0 oz. @ .170 (4.32) TRAVEL 5.6 oz. @ .170 (4.32) TRAVEL 7.0 oz. @ .170 (4.32) TRAVEL 10.0 oz. @ .170 (4.32) TRAVEL			TERMINATIONS: CR: CRIMP SC: SOLDER CUP WW-016: WIRE WRAP .016 SQ WW-025: WIRE WRAP .025 SQ			
CRIMPING PLIERS: CPR50J INSERTION TOOL: RTR50J					* UNLESS OTHERWISE SPECIFIED, WIRE LENGTH 36", STRIP LENGTH 1", 30 GAGE KYNAR. 12" & 36" STANDARD. ** FOR USE WITH FP-PLUG PLUG-IN TERMINAL. 12" & 36" STANDARD.			

VIEW UPDATES OF THIS INFORMATION AT WWW.IDINET.COM

Specifications subject to change without notice. Dimensions in inches (millimeters)

X-ON Electronics

Largest Supplier of Electrical and Electronic Components

Click to view similar products for [Contact Probes](#) category:

Click to view products by [Smiths Interconnect](#) manufacturer:

Other Similar products are found below :

[CT5253](#) [CT5082](#) [100039-033-958](#) [100077-003-0-0](#) [300122-031-1102](#) [R-2-RP-375](#) [S-4-C-5-G S/C](#) [300122-056-0203](#) [SS-75-B-2.4-G](#) [ICT-100-J-17-G](#) [SS-75-C-4.9-D D/C .620 OAL](#) [100165-033-952](#) [100024-002-942](#) [SS-75-E-4.9-D D/C .620 OAL](#) [SX-0-U-2.2-G D/C](#) [101740-028-948](#) [ICT-100-V8-8-G S/C](#) [ICT-100-A-8-G S/C](#) [ICT-075-B-10-G-S S/C](#) [S-2-D-8.3-G D/C](#) [S-2-D-10-G D/C](#) [GSS-19-7-G S/C OAL](#) [ICT-100-T-8-G S/C](#) [GSS-4-7-G](#) [S-0-B9-2.5-G S/C](#) [SS-40-J-2.4-G D/C](#) [S-0-A-2.2-D 660 S/C](#) [SS-50-J-3.3-D S/C](#) [S-0-V-3.7-G S/C](#) [SX-2-B-7-G D/C](#) [SX-1-U-6.6-G D/C](#) [SX-1-C-6.6-G D/C](#) [SS-75-D-4.9-D D/C .620 OAL](#) [SS-50-E-2.9-G S/C](#) [SS-40-J-1.8-G-N/L D/C](#) [SS-3-7-G S/C W/HOLE .373 OAL](#) [SS-18-7-G S/C W/HOLE .405 OAL](#) [SS-10-7-G S/C W/HOLE .373 OAL](#) [SS-1-7-G S/C W/HOLE .385 OAL](#) [SHE-5-H-18.7-G](#) [SHE-5-B-18.7-G](#) [SHE-5-A-18.7-G](#) [SHE-3-A-7-G](#) [SH-4-A-10-G S/C](#) [101057-001-952](#) [S-50C-HS-4.3-DG-S](#) [S-5-F-8-G S/C SS SPGS](#) [S-5-F-16.4-G S/C](#) [S-4-E-5-D S/C](#) [S-2-J-8.3-G D/C](#)