
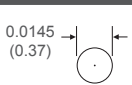

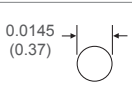
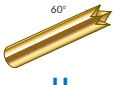
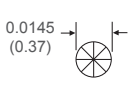

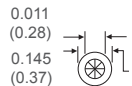
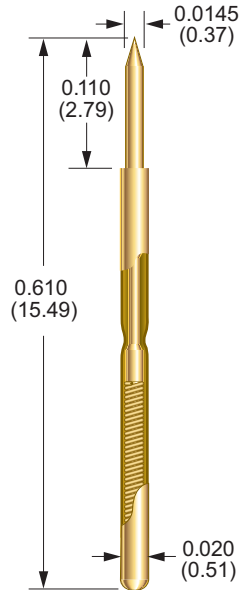


► **SS-30 SERIES**

0.039 (0.100) Centers

For RSS-30 Series Receptacles see pg. 51

BECU TIPS	DIAMETER
 B	 0.0145 (0.37)
 J	 0.0145 (0.37)
 U	 0.0145 (0.37)
 UT	 0.011 (0.28) 0.145 (0.37)



PROBE SPECIFICATIONS

Minimum Centers	0.039 (0.100)
Current Rating	3 A continuous
Spring Force	1.30 oz (37 g) or 1.60 oz (45 g) @ 0.067 (1.70) travel
Preload Force	0.50 oz (14 g)
Typical Resistance	< 40 mΩ
Maximum Travel	0.100 (2.54)
Working Travel	0.067 (1.70)

MATERIALS

Barrel	Nickel/silver, preplated gold
Spring	Stainless steel, or music wire, gold plated
Plunger	Beryllium copper, gold plated over nickel, or Duralloy™

HOW TO ORDER

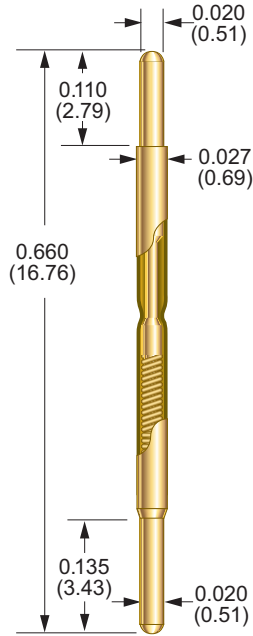
SS - 30 - B - 1.3 - G	
	1 2 3 4 5
1 ▶ SERIES	SS
2 ▶ SIZE	30
3 ▶ TIP STYLE	B, J, U, UT
4 ▶ SPRING FORCE	1.3 oz. 1.6 oz.
5 ▶ PLUNGER PLATING	G GOLD D DURALLOY™

► S-00 SERIES

0.039 (0.100) Centers

For R-00 Series Receptacles see pg. 52

BECU TIPS	DIAMETER
B	0.020 (0.51)
C	0.020 (0.51)
G	0.020 (0.51)
J	0.020 (0.51)
U	0.020 (0.51)



PROBE SPECIFICATIONS

Minimum Centers	0.039 (1.00)
Current Rating	3 A continuous
Spring Force	1.30 oz (37 g) or 1.60 oz (45 g) @ 0.050 (1.27) travel
Preload Force	0.60 oz (17 g) (1.30 oz spring/BeCu) 0.70 oz (20 g) (1.60 oz spring/stainless steel)
Typical Resistance	< 55 mΩ
Maximum Travel	0.090 (2.29)
Working Travel	0.050 (1.27)

MATERIALS

Barrel	Nickel/silver, preplated gold
Spring	Beryllium copper, or stainless steel, gold plated
Plunger	Beryllium copper, gold plated over nickel, or Duralloy™

HOW TO ORDER

S - 00 - J - 1.3 - G



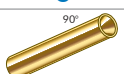

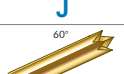
1 2 3 4 5

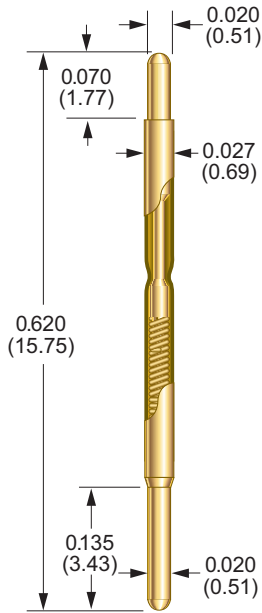
1 ► SERIES	S
2 ► SIZE	00
3 ► TIP STYLE	B, C, G, J, U
4 ► SPRING FORCE	1.3 oz. 1.6 oz.
5 ► PLUNGER PLATING	G GOLD D DURALLOY™

► **SS-40 SERIES**

0.039 (0.100) Centers

For R-00 Series Receptacles see pg. 52

BECU TIPS	DIAMETER
 B	0.020 (0.51)
 C	0.020 (0.51)
 G	0.020 (0.51)
 J	0.020 (0.51)
 U	0.020 (0.51)



PROBE SPECIFICATIONS

Minimum Centers	0.039 (0.100)
Current Rating	3 A continuous
Spring Force	1.80 oz (51 g) or 2.40 oz (68 g) @ 0.050 (1.27) travel
Preload Force	1.10 oz (31 g) (1.80 oz spring/BeCu) 1.50 oz (43 g) (2.40 oz spring/stainless steel)
Typical Resistance	< 55 mΩ
Maximum Travel	0.050 (1.27)
Working Travel	0.050 (1.27)

MATERIALS

Barrel	Nickel/silver, preplated gold
Spring	Beryllium copper, or stainless steel, gold plated
Plunger	Beryllium copper, gold plated over nickel, or Duralloy™

HOW TO ORDER

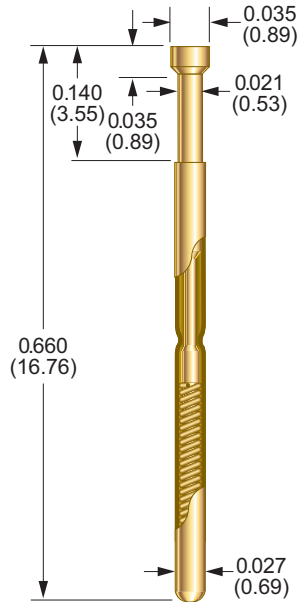
SS - 40 - J - 1.8 - G	
	1 2 3 4 5
1 ► SERIES	SS
2 ► SIZE	40
3 ► TIP STYLE	B, C, G, J, U
4 ► SPRING FORCE	1.8 oz. 2.4 oz.
5 ► PLUNGER PLATING	G GOLD D DURALLOY™

► S-0 SERIES

0.050 (1.27) Centers

For R-0 Series Receptacles see pg. 53

BECU TIPS	DIAMETER
A	0.035 (0.89)
B	0.021 (0.53)
B9	0.021 (0.53)
D	0.035 (0.89)
E	0.035 (0.89)
ES	0.046 (1.17)
H	0.035 (0.89)
J	0.021 (0.53)
JS	0.016 (0.41) 0.021 (0.53)
T4	0.035 (0.89)
U	0.021 (0.53)
UT	0.011 (0.28) 0.021 (0.53)
V	0.035 (0.89)



PROBE SPECIFICATIONS

Minimum Centers	0.050 (1.27)
Current Rating	3 A continuous
Spring Force	2.20 oz (62 g), 2.50 oz (71 g), or 3.70 oz (105 g) @ 0.070 (1.78) travel
Preload Force	0.60 oz (17 g) (2.20 oz spring/BeCu) 0.60 oz (17 g) (2.50 oz spring/stainless steel) 1.90 oz (54 g) (3.70 oz spring/music wire)
Typical Resistance	< 35 mΩ
Maximum Travel	0.100 (2.54)
Working Travel	0.070 (1.78)

MATERIALS

Barrel	Nickel/silver, gold plated
Spring	Beryllium copper, music wire, or stainless steel, gold plated
Plunger	Beryllium copper, gold plated over nickel, or Duralloy™

HOW TO ORDER

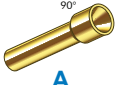
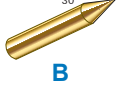


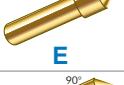




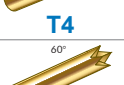



S - 0 - A - 2.2 - G
1 2 3 4 5

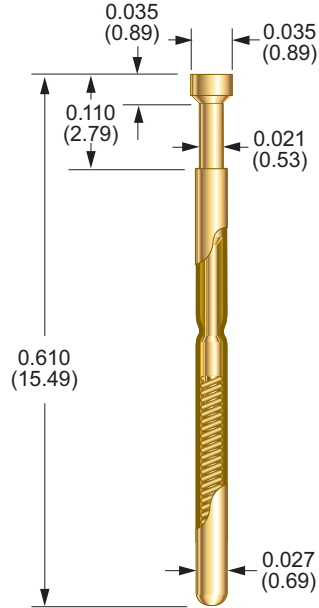
1 ► SERIES	S SX
2 ► SIZE	0
3 ► TIP STYLE	A, B, B9, D, E, ES, H, J, JS, T4, U, UT, V
4 ► SPRING FORCE	2.2 oz. 2.5 oz. 3.7 oz.
5 ► PLUNGER PLATING	G GOLD D DURALLOY™

► **SS-50 SERIES**

0.050 (1.27) Centers

For R-0 Series Receptacles see pg. 53

BECU TIPS	DIAMETER
 A	0.035 (0.89)
 B	0.021 (0.53)
 B9	0.021 (0.53)
 D	0.035 (0.89)
 E	0.035 (0.89)
 ES	0.046 (1.17)
 H	0.035 (0.89)
 J	0.021 (0.53)
 JS	0.100 (2.54) 0.016 (0.41) 0.021 (0.53)
 T4	0.035 (0.89)
 U	0.021 (0.53)
 UT	0.011 (0.28) 0.021 (0.53)
 V	0.035 (0.89)



PROBE SPECIFICATIONS

Minimum Centers	0.050 (1.27)
Current Rating	3 A continuous
Spring Force	2.90 oz (82 g), 3.30 oz (94 g), or 5.10 oz (145 g) @ 0.050 (1.27) travel
Preload Force	1.10 oz (31 g) (2.90 oz spring/BeCu) 1.70 oz (48 g) (3.30 oz spring/stainless steel) 1.50 oz (42 g) (5.10 oz spring/music wire)
Typical Resistance	< 35 mΩ
Maximum Travel	0.070 (1.78)
Working Travel	0.050 (1.27)

MATERIALS

Barrel Spring	Nickel/silver, gold plated Beryllium copper, stainless steel, or music wire, gold plated
Plunger	Beryllium copper, gold plated over nickel, or Duralloy™

HOW TO ORDER

	1	2	3	4	5
SS - 50 - A - 2.9 - G					
1 ► SERIES	SS	SSX ⁽¹⁾			
2 ► SIZE	50				
3 ► TIP STYLE	A, B, B9, D, E, ES, H, J, JS, T4, U, UT, V				
4 ► SPRING FORCE	2.9 oz.	3.3 oz.	5.1 oz.		
5 ► PLUNGER PLATING	G GOLD	D DURALLOY™			

► ICT-50C & S-50C SERIES

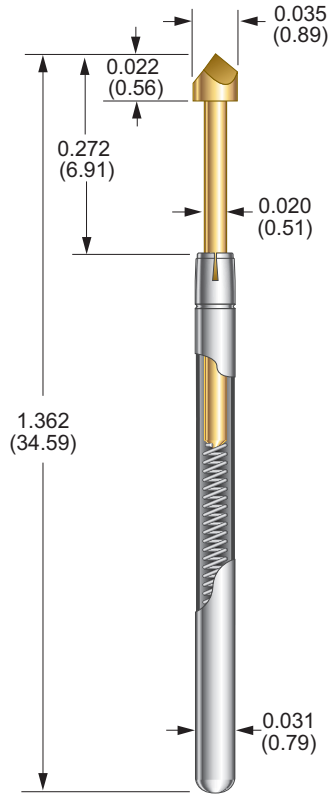
0.050 (1.27) Centers

For R-50C Series Receptacle see pg. 54

For R-50C-J-DE Wireless Series Receptacles see pg. 55

BECU TIPS	DIAMETER
A	0.035 (0.89)
J	0.020 (0.51)
V8	0.035 (0.89) 8 Pts.

STEEL TIPS	DIAMETER
B	0.020 (0.51)
HS	0.020 (0.51)
M	0.020 (0.51)
SP	0.020 (0.51)
SW	0.020 (0.51)
T	0.029 (0.74)
TL	0.035 (0.89)
Z	0.020 (0.51)



PROBE SPECIFICATIONS

Minimum Centers	0.050 (1.27)
Current Rating	3 A continuous
Spring Force	4.30 oz (122 g) or 5.60 oz (159 g) @ 0.170 (4.32) travel
Preload Force	1.90 oz (54 g) (4.30 oz spring/stainless steel) 2.10 oz (60 g) (5.60 oz spring/music wire)
Typical Resistance	ICT-50C: < 20 mΩ S-50C: < 25 mΩ
Maximum Travel	0.250 (6.35)
Working Travel	0.170 (4.32)

MATERIALS

Barrel	Nickel/silver, gold lined
Spring	Music wire, nickel plated, or stainless steel
Plunger	Beryllium copper, or steel, gold plated over nickel

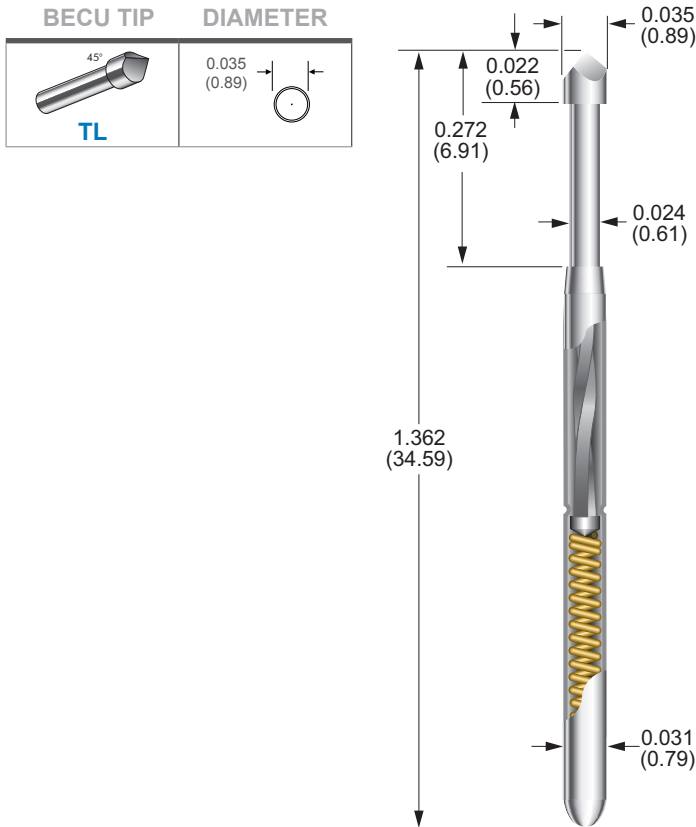
HOW TO ORDER

ICT - 50C - T - 5.6 - DG - S	
	1 2 3 4 5 6
1 ► SERIES	ICT ⁽¹⁾ S
2 ► SIZE	50C
3 ► TIP STYLE	A, B, HS, J, M, SP, SW, T, TL, V8, Z
4 ► SPRING FORCE	4.3 OZ. 5.6 OZ.
5 ► PLUNGER PLATING	DG DURAGOLD™
6 ► STEEL PLUNGER OPTION	S STEEL

► **S-50C ROTATOR SERIES**

0.050 (1.27) Centers

For R-50C Series Receptacles see pg. 54



PROBE SPECIFICATIONS

Minimum Centers	0.050 (1.27)
Current Rating	3 A continuous
Spring Force	3.70 oz (105 g) @ 0.170 (4.32) travel
Preload Force	1.50 oz (42 g)
Typical Resistance	< 25 mΩ
Maximum Travel	0.250 (6.35)
Working Travel	0.170 (4.32)
Rotation	85° @ 0.170 (4.32) travel

MATERIALS

Barrel	Nickel/silver, gold lined
Spring	Music wire, gold plated
Plunger	Beryllium copper, Duralloy™ plated

HOW TO ORDER

S - 50C - TL - 3.7 - RT <small>1 2 3 4 5</small>	
1 ► SERIES	S
2 ► SIZE	50C
3 ► TIP STYLE	TL
4 ► SPRING FORCE	3.7 oz.
5 ► ROTATOR	RT

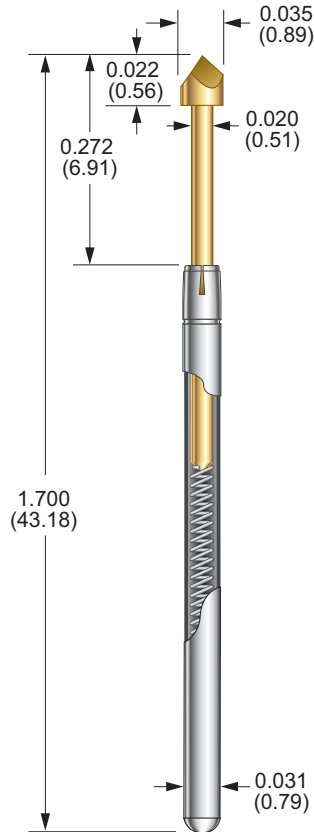
► ICT-50J SERIES

0.050 (1.27) Centers

For R-50J Series Receptacles see pg. 56

BECU TIPS	DIAMETER
 A	0.035 (0.89)
 J	0.020 (0.51)
 V8	0.035 (0.89) 8 Pts.

STEEL TIPS	DIAMETER
 B	0.020 (0.51)
 HS	0.020 (0.51)
 M	0.020 (0.51)
 S	0.020 (0.51)
 SP	0.020 (0.51)
 SW	0.020 (0.51)
 T	0.029 (0.74)
 TL	0.035 (0.89)
 UR	0.016 (0.41) 0.020 (0.51)
 Z	0.020 (0.51)



PROBE SPECIFICATIONS

Minimum Centers	0.050 (1.27)
Current Rating	3 A continuous
Spring Force	4.00 oz (113 g), 5.60 oz (159 g), 7.00 oz (198 g), or 10.00 oz (283 g) @ 0.170 (4.32) travel
Preload Force	1.80 oz (51 g) (4.00 oz spring/stainless steel) 2.50 oz (71 g) (5.60 oz spring/stainless steel) 3.10 oz (88 g) (7.00 oz spring/music wire) 4.60 oz (130 g) (10.00 oz spring/music wire)
Typical Resistance	< 20 mΩ
Maximum Travel	0.250 (6.35)
Working Travel	0.170 (4.32)

MATERIALS

Barrel	Nickel/silver, gold lined
Spring	Music wire, nickel plated, or stainless steel
Plunger	Beryllium copper, or steel, gold plated over nickel

HOW TO ORDER

ICT - 50J - T - 5.6 - DG - S

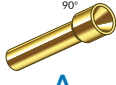
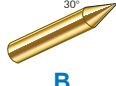
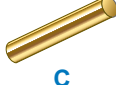
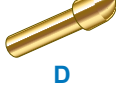






1 2 3 4 5 6

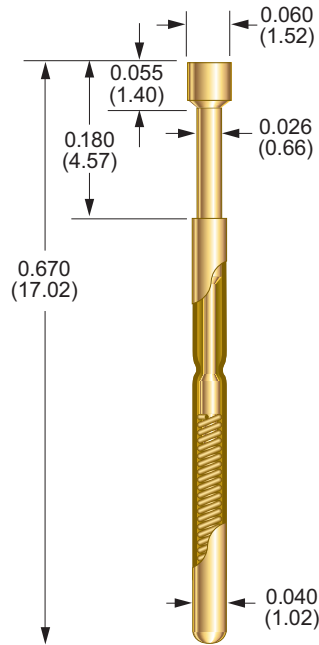
1 ► SERIES	ICT ⁽¹⁾
2 ► SIZE	50J
3 ► TIP STYLE	A, B, HS, J, M, S, SP, SW, T, TL, UR, V8, Z
4 ► SPRING FORCE	4 oz. 5.6 oz. 7 oz. 10 oz.
5 ► PLUNGER PLATING	DG DURAGOLD™
6 ► STEEL PLUNGER OPTION	S STEEL

► **S-1 SERIES**

0.075 (1.91) Centers

For R-1 Series Receptacles see pg. 57

BECU TIPS	DIAMETER
 A	0.060 (1.52)
 B	0.026 (0.66)
 C	0.026 (0.66)
 D	0.040 (1.02)
 E	0.060 (1.52)
 F	0.060 (1.52)
 H	0.060 (1.52)
 J	0.026 (0.66)
 K	0.060 (1.52)
 U	0.026 (0.66)



PROBE SPECIFICATIONS

Minimum Centers	0.075 (1.91)
Current Rating	3 A continuous
Spring Force	2.00 oz (57 g), 3.80 oz (108 g), or 6.60 oz (187 g) @ 0.070 (1.78) travel
Preload Force	0.80 oz (23 g) (2.00 oz spring/stainless steel) 1.50 oz (43 g) (3.80 oz spring/stainless steel) 2.00 oz (57 g) (6.60 oz spring/music wire)
Typical Resistance	< 25 mΩ
Maximum Travel	0.100 (2.54)
Working Travel	0.070 (1.78)

MATERIALS

Barrel	Nickel/silver, gold plated
Spring	Stainless steel, or music wire, gold plated
Plunger	Beryllium copper, gold plated over nickel, or Duralloy™

HOW TO ORDER

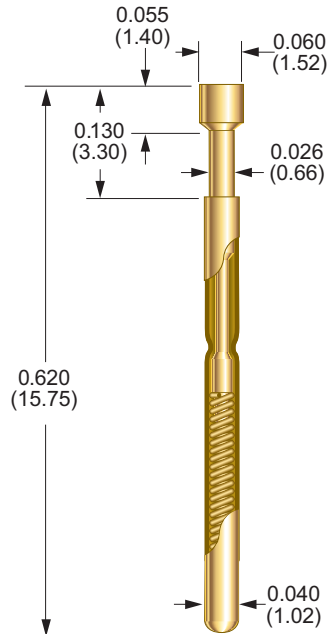
	S - 1 - A - 3.8 - G				
	1	2	3	4	5
1 ► SERIES	S	SX ⁽¹⁾			
2 ► SIZE	1				
3 ► TIP STYLE	A, B, C, D, E, F, H, J, K, U				
4 ► SPRING FORCE	2 oz.	3.8 oz.	6.6 oz.		
5 ► PLUNGER PLATING	G GOLD	D DURALLOY™			

► SS-75 SERIES

0.075 (1.91) Centers

For R-1 Series Receptacles see pg. 57

BECU TIPS	DIAMETER
A	0.060 (1.52)
B	0.026 (0.66)
C	0.026 (0.66)
D	0.040 (1.02)
E	0.060 (1.52)
F	0.060 (1.52)
H	0.060 (1.52)
J	0.026 (0.66)
K	0.060 (1.52)
U	0.026 (0.66)



PROBE SPECIFICATIONS

Minimum Centers	0.075 (1.91)
Current Rating	3 A continuous
Spring Force	2.40 oz (68 g) or 4.90 oz (139 g) @ 0.050 (1.27) travel
Preload Force	1.70 oz (48 g) (2.40 oz spring/stainless steel) 3.10 oz (88 g) (4.90 oz spring/stainless steel)
Typical Resistance	< 25 mΩ
Maximum Travel	0.050 (1.27)
Working Travel	0.050 (1.27)

MATERIALS

Barrel	Nickel/silver, gold plated
Spring	Stainless steel, gold plated
Plunger	Beryllium copper, gold plated over nickel or Duralloy™

HOW TO ORDER

SS - 75 - A - 2.4 - G
1 2 3 4 5

1 ► SERIES	SS	SSX ⁽¹⁾
2 ► SIZE	75	
3 ► TIP STYLE	A, B, C, D, E, F, H, J, K, U	
4 ► SPRING FORCE	2.4 oz.	4.9 oz.
5 ► PLUNGER PLATING	G GOLD	D DURALLOY™

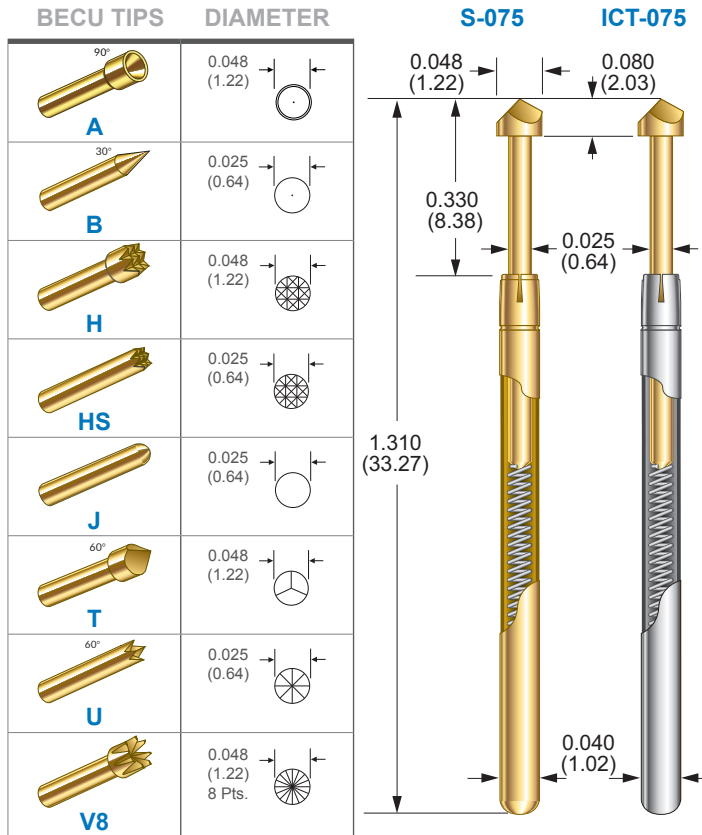
1. Improved pointing accuracy
Dimensions are in inches (mm) |

► **ICT-075 & S-075 SERIES**

0.075 (1.91) Centers

For R-075 Series Receptacles see pg. 58

For R-075-J-DE Wireless Series Receptacles see pg. 59

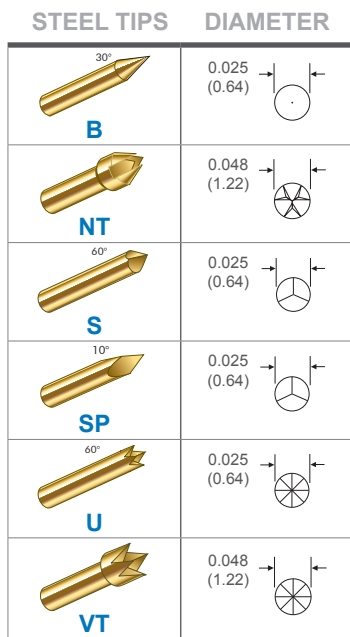


PROBE SPECIFICATIONS

Minimum Centers	0.075 (1.91)
Current Rating	3 A continuous
Spring Force	3.00 ⁽¹⁾ oz (85 g), 5.00 oz (142 g), 7.00 oz (198 g), or 10.00 oz (283 g) @ 0.170 (4.32) travel
Preload Force	1.20 oz (34 g) (3.00 ⁽¹⁾ oz spring) 2.00 oz (57 g) (5.00 oz spring) 2.90 oz (82 g) (7.00 oz spring) 3.30 oz (94 g) (10.00 oz spring)
Typical Resistance	< 25 mΩ
Maximum Travel	0.250 (6.35)
Working Travel	0.170 (4.32)

MATERIALS

Barrel	ICT Series: Gold lined S Series: Gold plated I.D. and O.D.
Spring	Music wire, nickel plated
Plunger	Beryllium copper, or steel, gold plated over nickel



HOW TO ORDER

	1	2	3	4	5	6
1 ► SERIES	ICT ⁽²⁾ S					
2 ► SIZE	075					
3 ► TIP STYLE	A, B, H, HS, J, NT, S, SP, T, U, V8, VT					
4 ► SPRING FORCE	3 oz. ⁽¹⁾		5 oz.			
	7 oz.		10 oz.			
5 ► PLUNGER PLATING	G GOLD					
6 ► STEEL PLUNGER OPTION	S STEEL					

1. 3.00 oz spring for S-075 Series only
2. High performance

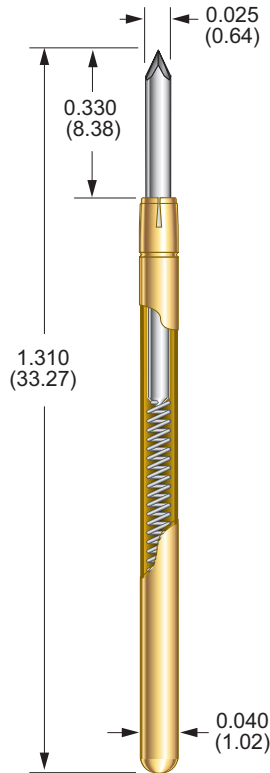
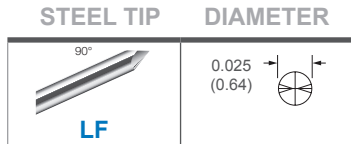
Dimensions are in inches (mm) |

▶ LEAD FREE ICT-075 SERIES

0.075 (1.91) Centers

For R-075 Series Receptacles see pg. 58

For R-075-J-DE Wireless Series Receptacles see pg. 59



PROBE SPECIFICATIONS

Minimum Centers	0.075 (1.91)
Current Rating	3 A continuous
Spring Force	7.00 oz (198 g) @ 0.170 (4.32) travel
Typical Resistance	< 40 mΩ (against lead free surface)
Maximum Travel	0.250 (6.35)
Working Travel	0.170 (4.32)

MATERIALS

Barrel	G2
Spring	Music wire, nickel plated
Plunger	Steel, Duralloy™ plated

HOW TO ORDER

ICT - 075 - LF - 7 - D - S

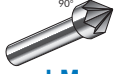
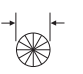
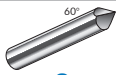
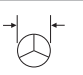
1 2 3 4 5 6

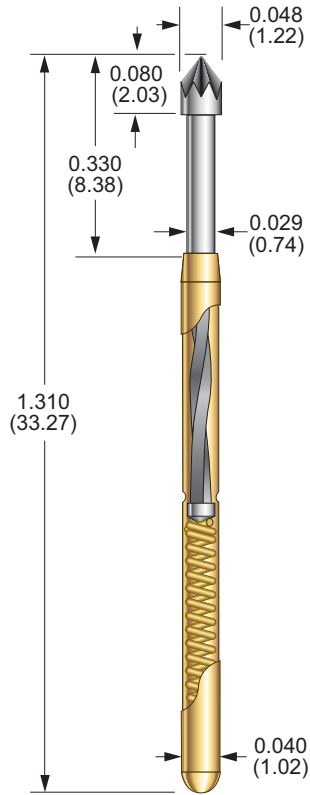
1 ▶ SERIES	ICT
2 ▶ SIZE	075
3 ▶ TIP STYLE	LF
4 ▶ SPRING FORCE	7 oz.
5 ▶ PLUNGER PLATING	D DURALLOY™
6 ▶ STEEL PLUNGER OPTION	S STEEL

► **S-075 ROTATOR SERIES**

0.075 (1.91) Centers

For R-075 Series Receptacles see pg. 58

BECU TIPS	DIAMETER
 LM	 0.048 (1.22)
 S	 0.029 (0.74)



PROBE SPECIFICATIONS

Minimum Centers	0.075 (1.91)
Current Rating	3 A continuous
Spring Force	3.80 oz (108 g) or 6.60 oz (187 g) @ 0.170 (4.32) travel
Preload Force	0.50 oz (14 g) (3.80 oz spring) 1.60 oz (45 g) (6.60 oz spring)
Typical Resistance	< 25 mΩ
Maximum Travel	0.225 (5.72)
Working Travel	0.170 (4.32)
Rotation	90° @ 0.170 (4.32) travel

MATERIALS

Barrel	G2
Spring	Music wire, gold plated
Plunger	Beryllium copper, Duralloy™ plated

HOW TO ORDER





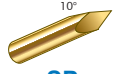

S - 075 - LM - 3.8 - RT	
	1 2 3 4 5
1 ▶ SERIES	S
2 ▶ SIZE	075
3 ▶ TIP STYLE	LM, S
4 ▶ SPRING FORCE	3.8 oz. 6.6 oz.
5 ▶ ROTATOR	RT

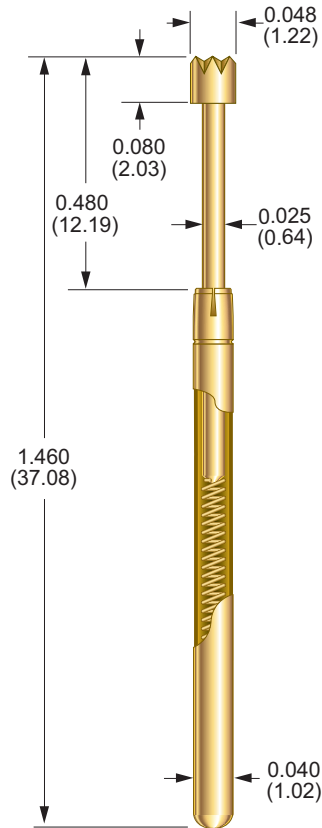
► ICT-L075 SERIES

0.075 (1.91) Centers

For R-075 Series Receptacles see pg. 58

For R-075-J-DE Wireless Series Receptacles see pg. 59

BECU TIPS	DIAMETER
 H	0.048 (1.22) 
 J	0.025 (0.64) 
STEEL TIP	DIAMETER
 SP	0.025 (0.64) 



PROBE SPECIFICATIONS

Minimum Centers	0.075 (1.91)
Current Rating	3 A continuous
Spring Force	4.30 oz (122 g) @ 0.317 (8.05) travel
Preload Force	1.80 oz (51 g)
Typical Resistance	< 15 mΩ
Maximum Travel	0.400 (10.16)
Working Travel	0.317 (8.05)

MATERIALS

Barrel	G2
Spring	Music wire, gold plated
Plunger	Beryllium copper, or steel, gold plated over nickel




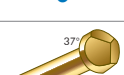
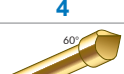

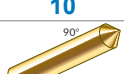


HOW TO ORDER

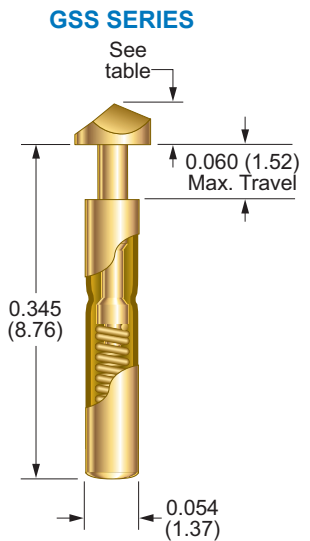
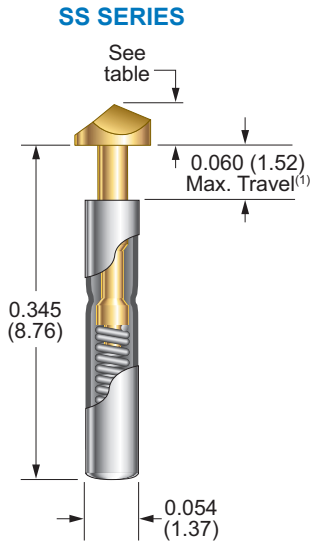
	1	2	3	4	5	6
ICT - L075 - H - 4.3 - G - S						
1 ► SERIES	ICT					
2 ► SIZE	L075					
3 ► TIP STYLE	H, J, SP					
4 ► SPRING FORCE	4.3 oz.					
5 ► PLUNGER PLATING	G GOLD					
6 ► STEEL PLUNGER OPTION	S STEEL					

► **SS & GSS SERIES**

0.100 (2.54) Centers

For RSS-100 Series Receptacles see pg. 60. For R-100/SS Series Receptacles see pg. 61.
For R-SS/SS Series Receptacles see pg. 62.

BEUC TIPS	DIAMETER
 1	0.077 (1.96)
 2	0.077 (1.96)
 3	0.077 (1.96) 0.075 Radius
 4	0.062 (1.57)
 8	0.075 (1.91)
 10	0.045 (1.14)
 11	0.045 (1.14)
 18	0.075 (1.91)
 19	0.045 (1.14)



PROBE SPECIFICATIONS

Minimum Centers	0.100 (2.54)
Current Rating	3 A continuous
Spring Force	3.80 oz (108 g) or 7.00 oz (198 g) @ 0.050 (1.27) travel
Preload Force	1.60 oz (45 g) (3.80 oz spring/stainless steel) 1.30 oz (37 g) (7.00 oz spring/music wire)
Typical Resistance	SS Series: < 65 mΩ GSS Series: < 30 mΩ
Maximum Travel	0.060 (1.52) ⁽¹⁾
Working Travel	0.050 (1.27)

MATERIALS

Barrel	SS Series: Nickel/silver GSS Series: Nickel/silver, gold plated
Spring	SS Series: Stainless steel or music wire GSS Series: Stainless steel, or music wire, gold plated
Plunger	Beryllium copper, gold plated over nickel

TIP	HEAD LENGTH	TIP	HEAD LENGTH
1	0.040 (1.02)	10	0.028 (0.71)
2	0.028 (0.71)	11	0.040 (1.02)
3	0.028 (0.71)	18	0.060 (1.52)
4	0.040 (1.02)	19	0.055 (1.40)
8	0.080 (2.03)		

HOW TO ORDER

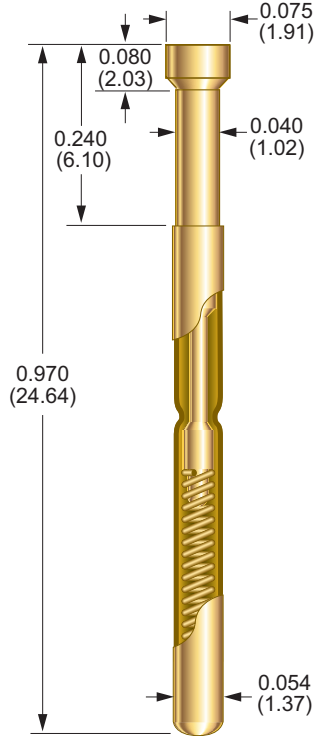
SS - 1 - 3.8 - G			
1 2 3 4			
1 ► SERIES	SS		GSS
2 ► TIP STYLE	1, 2, 3, 4, 8, 10, 11, 18, 19		
3 ► SPRING FORCE	3.8 oz.		7 oz.
4 ► PLUNGER PLATING	G GOLD		

► S-2 SERIES

0.100 (2.54) Centers

For R-2 Series Receptacles see pg. 63

BECU TIPS	DIAMETER
A	0.075 (1.91)
B	0.040 (1.02)
C	0.040 (1.02)
D	0.050 (1.27)
E	0.075 (1.91)
F	0.075 (1.91)
G	0.040 (1.02)
H	0.075 (1.91)
J	0.040 (1.02)
K	0.075 (1.91)
T	0.075 (1.91)
V	0.060 (1.52)
X	0.060 (1.52)



PROBE SPECIFICATIONS

Minimum Centers	0.100 (2.54)
Current Rating	3 A continuous
Spring Force	4.00 oz (113 g), 7.00 oz (198 g), 8.30 oz (235 g), or 10.00 oz (283 g) @ 0.100 (2.54) travel
Preload Force	1.60 oz (45 g) (4.00 oz spring/BeCu) 2.90 oz (82 g) (7.00 oz spring/stainless steel) 3.30 oz (93 g) (8.30 oz spring/music wire) 3.90 oz (110 g) (10.00 oz spring/music wire)
Typical Resistance	< 35 mΩ
Maximum Travel	0.160 (4.06)
Working Travel	0.100 (2.54)

MATERIALS

Barrel	Nickel/silver, gold plated
Spring	Beryllium copper, precious metal plated, music wire, or stainless steel, gold plated
Plunger	Beryllium copper, gold plated over nickel, or Duralloy™

HOW TO ORDER

	S - 2 - A - 4 - G				
	1	2	3	4	5
1 ► SERIES	S				
2 ► SIZE	2				
3 ► TIP STYLE	A, B, C, D, E, F, G, H, J, K, T, V, X				
4 ► SPRING FORCE	4 oz.		7 oz.		
	8.3 oz.		10 oz.		
5 ► PLUNGER PLATING	G GOLD		D DURALLOY™		

► **ICT-100 & S-100 SERIES**

0.100 (2.54) Centers

For R-100/SS Series Receptacles see pg. 61. For R-100 Series Receptacles see pg. 64. For R-100-J-DE Wireless Series Receptacles see pg. 65

BECU TIPS		DIAMETER	
	0.060 (1.52)		0.036 (0.91)
	0.050 (1.27)		0.036 (0.91)
	0.060 (1.52)		0.055 (1.40)
	0.060 (1.52)		0.036 (0.91)
	0.075 (1.91)		0.036 (0.91)
	0.093 (2.36)		0.036 (0.91)
	0.068 (1.73) 0.075 (1.91) 0.090 insulator dia.		0.020 (0.51) 0.036 (0.91)
	0.036 (0.91)		0.050 (1.27)
	0.025 (0.64) 0.036 (0.91)		0.055 (1.40)
	0.060 (1.52)		
	0.060 (1.52)		
	0.060 (1.52)		
	0.060 (1.52) 8 Pts.		
	0.050 (1.27)		

STEEL TIPS		DIAMETER	
	0.036 (0.91)		0.036 (0.91)
	0.036 (0.91)		0.055 (1.40)
	0.055 (1.40)		0.036 (0.91)
	0.036 (0.91)		0.036 (0.91)
	0.036 (0.91)		0.036 (0.91)
	0.036 (0.91)		0.020 (0.51) 0.036 (0.91)
	0.020 (0.51) 0.036 (0.91)		0.050 (1.27)
	0.050 (1.27)		0.055 (1.40)
	0.055 (1.40)		

PROBE SPECIFICATIONS

Minimum Centers	0.100 (2.54)
Current Rating	3 A continuous
Spring Force	3.50 oz (99 g) ⁽¹⁾ , 5.50 oz (156 g), 6.70 oz (190 g), 8.00 oz (227 g), 10.00 oz (283 g), or 17.00 oz (483 g) @ 0.170 (4.32) travel
Preload Force	1.50 oz (43 g) (3.50 ⁽¹⁾ oz spring/BeCu) 2.40 oz (68 g) (5.50 oz spring/music wire ⁽²⁾) 2.80 oz (80 g) (6.70 oz spring/stainless steel) 3.30 oz (94 g) (8.00 oz spring/music wire ⁽²⁾) 3.70 oz (105 g) (10.00 oz spring/music wire) 6.80 oz (193 g) (17.00 oz spring/music wire)
Typical Resistance	< 8 mΩ
Maximum Travel	0.250 (6.35)
Working Travel	0.170 (4.32)

MATERIALS

Barrel	ICT Series: Gold lined S Series: Gold plated I.D. and O.D.
Spring	Beryllium copper or music wire, nickel plated, or stainless steel
Plunger	Beryllium copper, or steel, gold plated over nickel

HOW TO ORDER

	1	2	3	4	5	6
ICT - 100 - T - 5.5 - G - S						
1 ► SERIES	ICT ⁽³⁾		S			
2 ► SIZE	100					
3 ► TIP STYLE	A, B, D, F, H, HK, HL, HSC, J,					
	JS, K, M, NT, SP, SWS, T, U,					
	UR, V, V8, W, WO, Y					
4 ► SPRING FORCE	3.5 oz. ⁽¹⁾	5.5 oz.	6.7 oz.			
	8 oz.	10 oz.	17 oz.			
5 ► PLUNGER PLATING	G GOLD					
6 ► STEEL PLUNGER	S STEEL					

1. 3.50 oz. spring for S-100 Series only

2. BeCu instead of music wire for S Series

3. High performance

ations are subject to change

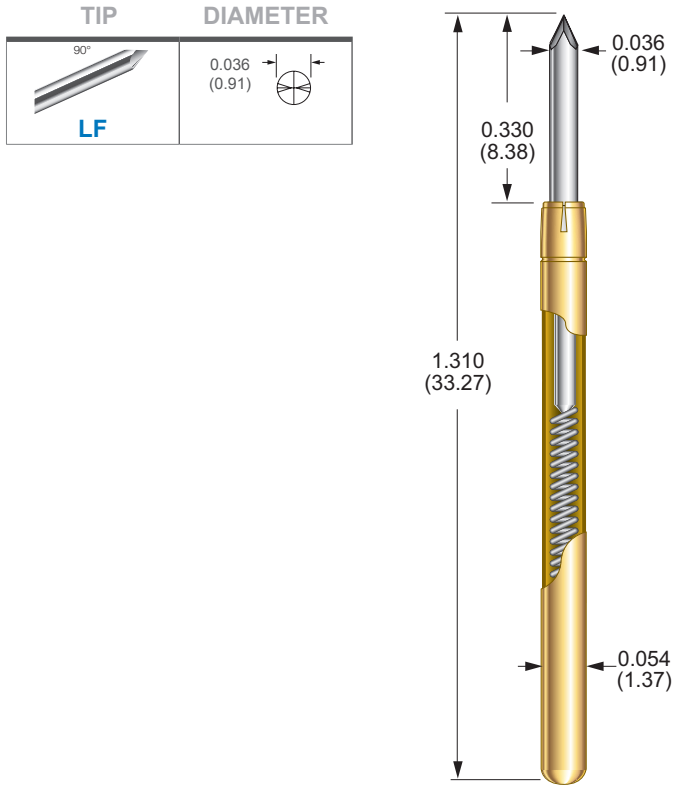
Dimensions are in inches (mm) |

▶ LEAD FREE ICT-100 SERIES

0.100 (2.54) Centers

For R-100 Series Receptacles see pg. 64

For R-100-J-DE Wireless Series Receptacles see pg. 65



PROBE SPECIFICATIONS

Minimum Centers	0.100 (2.54)
Current Rating	3 A continuous
Spring Force	8.00 oz (227 g) @ 0.170 (4.32) travel
Typical Resistance	< 30 mΩ (against lead free surface)
Maximum Travel	0.250 (6.35)
Working Travel	0.170 (4.32)

MATERIALS

Barrel	G2
Spring	Music wire, nickel plated
Plunger	Steel, Duralloy™ plated

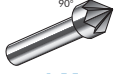
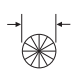
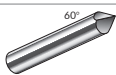
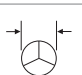
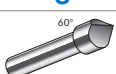
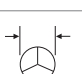
HOW TO ORDER

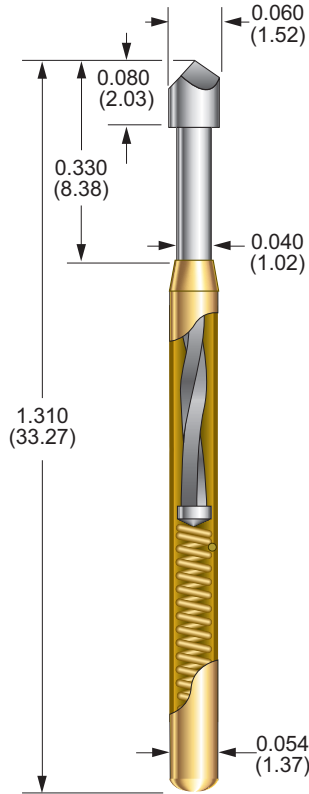
ICT - 100 - LF - 8 - D - S					
1	2	3	4	5	6
1 ▶ SERIES	ICT				
2 ▶ SIZE	100				
3 ▶ TIP STYLE	LF				
4 ▶ SPRING FORCE	8 oz.				
5 ▶ PLUNGER PLATING	D DURALLOY™				
6 ▶ STEEL PLUNGER OPTION	S STEEL				

► **S-100 ROTATOR SERIES**

0.100 (2.54) Centers

For R-100 Series Receptacles see pg. 64

BECU TIPS	DIAMETER
 LM	 0.060 (1.52)
 S	 0.040 (1.02)
 T	 0.060 (1.52)



PROBE SPECIFICATIONS

Minimum Centers	0.100 (2.54)
Current Rating	3 A continuous
Spring Force	4.00 oz (113 g), 5.50 oz (156 g), 6.70 oz (190 g), 8.00 oz (227 g), or 10.00 oz (283 g) @ 0.170 (4.32) travel
Preload Force	1.50 oz (43 g) (4.00 oz spring/stainless steel) 2.00 oz (57 g) (5.50 oz spring/stainless steel) 1.50 oz (43 g) (6.70 oz spring/stainless steel) 2.80 oz (80 g) (8.00 oz spring/music wire) 1.80 oz (51 g) (10.00 oz spring/music wire)
Typical Resistance	< 50 mΩ
Maximum Travel	0.220 (5.59)
Working Travel	0.170 (4.32)
Rotation	90° @ 0.170 (4.32) travel

MATERIALS

Barrel	G2
Spring	Music wire, or stainless steel, gold plated
Plunger	Beryllium copper, Duralloy™ plated

HOW TO ORDER

S - 100 - T - 4 - RT
1 2 3 4 5

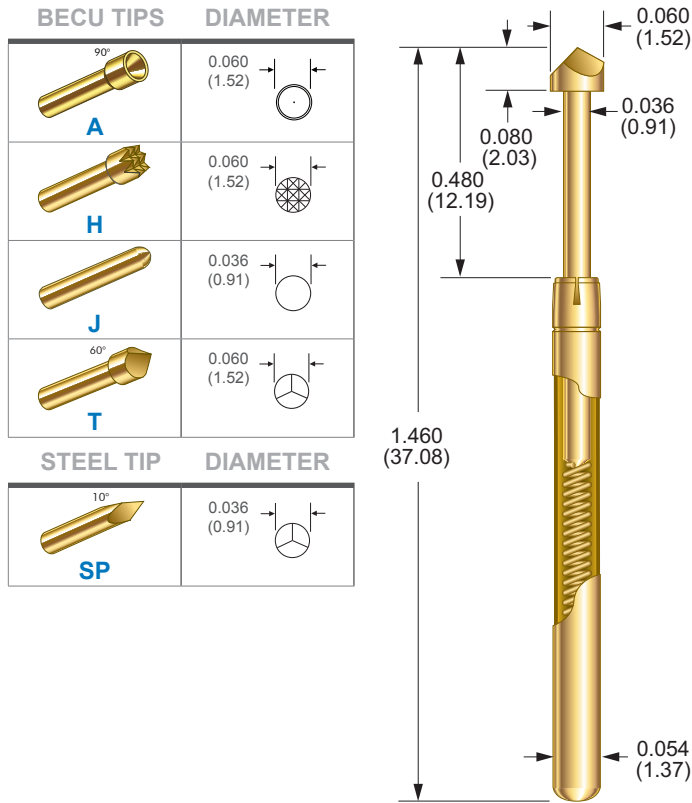
1 ► SERIES	S
2 ► SIZE	100
3 ► TIP STYLE	LM, S, T
4 ► SPRING FORCE	4 oz. 5.5 oz. 6.7 oz. 8 oz. 10 oz.
5 ► ROTATOR	RT

► ICT-L100 SERIES

0.100 (2.54) Centers

For R-100/SS Series Receptacles see pg. 61

For R-100 Series Receptacles see pg. 64



PROBE SPECIFICATIONS

Minimum Centers	0.100 (2.54)
Current Rating	3 A continuous
Spring Force	5.70 oz (162 g) @ 0.317 (8.05) travel
Preload Force	1.80 oz (51 g)
Typical Resistance	< 10 mΩ
Maximum Travel	0.400 (10.16)
Working Travel	0.317 (8.05)

MATERIALS

Barrel	G2
Spring	Music wire, gold plated over nickel
Plunger	Beryllium copper, or steel, gold plated over nickel

HOW TO ORDER

ICT - L100 - T - 5.7 - G - S

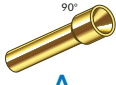
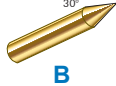







1 2 3 4 5 6

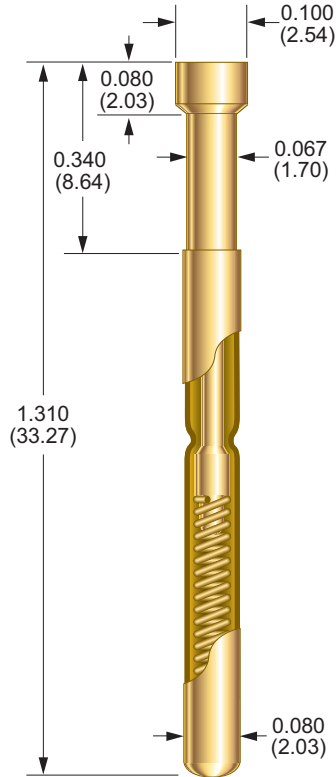
1 ► SERIES	ICT
2 ► SIZE	L100
3 ► TIP STYLE	A, H, J, SP, T
4 ► SPRING FORCE	5.7 oz.
5 ► PLUNGER PLATING	G GOLD
6 ► STEEL PLUNGER OPTION	S STEEL

► **S-3 SERIES**

0.125 (3.18) Centers

For R-3 Series Receptacles see pg. 66

STEEL TIPS	DIAMETER
 A	0.100 (2.54)
 B	0.067 (1.70)
 C	0.067 (1.70)
 E	0.100 (2.54)
 F	0.100 (2.54)
 G	0.067 (1.70)
 H	0.100 (2.54)
 J	0.067 (1.70)
 K	0.100 (2.54)



PROBE SPECIFICATIONS

Minimum Centers	0.125 (3.18)
Current Rating	5 A continuous
Spring Force	4.00 oz (113 g) or 7.00 oz (198 g) @ 0.170 (4.32) travel
Preload Force	1.80 oz (51 g) (4.00 oz spring) 2.90 oz (82 g) (7.00 oz spring)
Typical Resistance	< 20 mΩ
Maximum Travel	0.250 (6.35)
Working Travel	0.170 (4.32)

MATERIALS

Barrel	Nickel/silver, gold plated
Spring	Stainless steel, gold plated
Plunger	Beryllium copper, gold plated over nickel, or Duralloy™

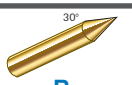
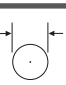

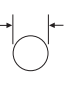
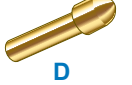
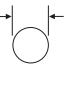

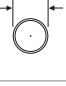




HOW TO ORDER

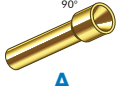
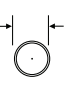

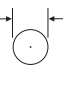




	S	3	A	4	G
	1	2	3	4	5
1 ► SERIES	S				
2 ► SIZE	3				
3 ► TIP STYLE	A, B, C, E, F, G, H, J, K				
4 ► SPRING FORCE	4 oz.		7 oz.		
5 ► PLUNGER PLATING	G GOLD		D DURALLOY™		

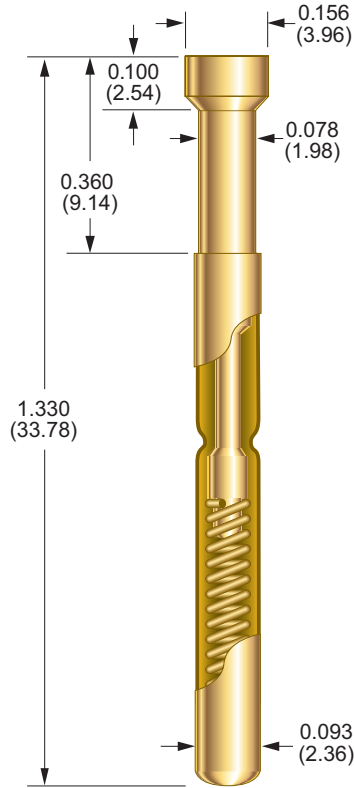
► S-4 SERIES

0.156 (3.96) – 0.187 (4.75) Centers

For R-4 Series Receptacles see pg. 67

0.156 PITCH BECU TIPS		DIAMETER	
	0.078 (1.98)		
B			
	0.078 (1.98)		
C			
	0.090 (2.29)		
D			
	0.078 (1.98)		
G			
	0.078 (1.98)		
J			
	0.100 (2.54)		
K			

0.187 PITCH BECU TIPS		DIAMETER	
	0.156 (3.96)		
A			
	0.156 (3.96)		
E			
	0.156 (3.96)		
F			
	0.156 (3.96)		
H			



PROBE SPECIFICATIONS

Minimum Centers	0.156 (3.96) (tips: B, C, D, G, J, K) or 0.187 (4.75) (tips: A, E, F, H)
Current Rating	5 A continuous
Spring Force	5.00 oz (142 g) or 7.00 oz (198 g) @ 0.170 (4.32) travel
Preload Force	2.00 oz (57 g) (5.00 oz spring) 2.80 oz (79 g) (7.00 oz spring)
Typical Resistance	< 20 mΩ
Maximum Travel	0.250 (6.35)
Working Travel	0.170 (4.32)

MATERIALS

Barrel	Nickel/silver, gold plated
Spring	Stainless steel, gold plated
Plunger	Beryllium copper, gold plated over nickel, or Duralloy™

HOW TO ORDER

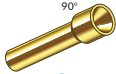
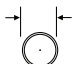
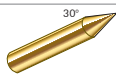
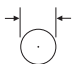



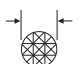

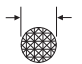
S - 4 - A - 5 - G
1 2 3 4 5

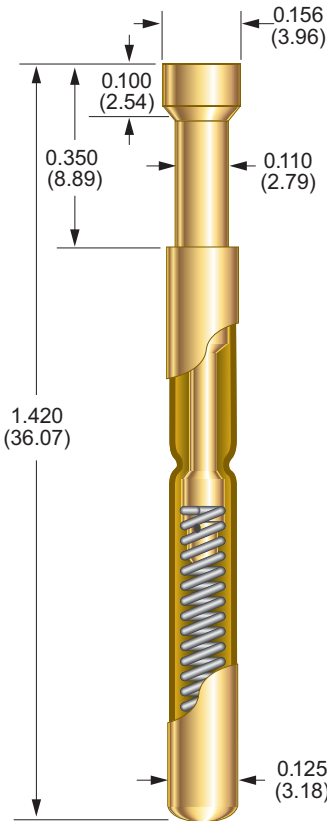
1 ► SERIES	S
2 ► SIZE	4
3 ► TIP STYLE	A, B, C, D, E, F, G, H, J, K
4 ► SPRING FORCE	5 oz. 7 oz.
5 ► PLUNGER PLATING	G GOLD D DURALLOY™

► **S-5 SERIES**

0.187 (4.75) – 0.300 (7.62) Centers

For R-5 Series Receptacles see pg. 68

0.187 PITCH BECU TIPS		DIAMETER	
	A	0.156 (3.96)	
	B	0.110 (2.79)	
	F	0.156 (3.96)	
	H	0.156 (3.96)	
0.300 PITCH BECU TIP		DIAMETER	
	HLF	0.250 (6.35)	



PROBE SPECIFICATIONS

Minimum Centers	0.187 (4.75) (tips: A, B, F, H) or 0.300 (7.62) (tip: HLF)
Current Rating	5 A continuous
Spring Force	8.00 oz (227 g) or 16.40 oz (465 g) @ 0.170 (4.32) travel
Preload Force	3.10 oz (88 g) (8.00 oz spring, stainless steel) 2.80 oz (79 g) (16.40 oz spring, music wire)
Typical Resistance	< 8 mΩ
Maximum Travel	0.250 (6.35)
Working Travel	0.170 (4.32)

MATERIALS

Barrel	Nickel/silver, gold plated
Spring	Music wire, or stainless steel
Plunger	Beryllium copper, gold plated over nickel, or Duralloy™

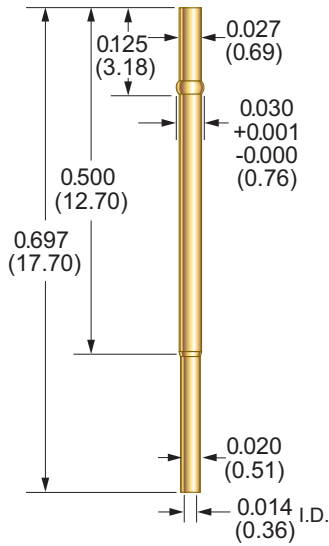
HOW TO ORDER

S - 5 - A - 16.4 - G <small>1 2 3 4 5</small>	
1 ► SERIES	S
2 ► SIZE	5
3 ► TIP STYLE	A, B, F, H, HLF
4 ► SPRING FORCE	8 oz. 16.4 oz.
5 ► PLUNGER PLATING	G GOLD D DURALLOY™

► **RSS-30 SERIES**

0.039 (1.00) Centers

For SS-30 Series Probes see pg. 5



PROBE SPECIFICATIONS

Minimum Centers	0.039 (1.00)
Drill Size	0.75 mm
Mounting Hole Size	0.028/0.0295 (0.71/0.75)
Recommended Wire	30 gage
Materials	Nickel/silver, preplated gold

TOOLS

Crimping Pliers	CP-SS-30 (for 30 gage solid conductor)
Insertion Tool	RT-SS-30 (for flush mount)

PART NUMBER	STYLE	RECEPTACLE LENGTH	PROBE/RECEPTACLE COMBINED LENGTH
R-SS-30-CR	Crimp	0.697 (17.70)	0.807 (20.50)
R-SS-30-SC	Solder Cup	0.697 (17.70)	0.807 (20.50)
R-SS-30-PW	Preattached Wire ⁽¹⁾	0.697 (17.70)	0.807 (20.50)

HOW TO ORDER

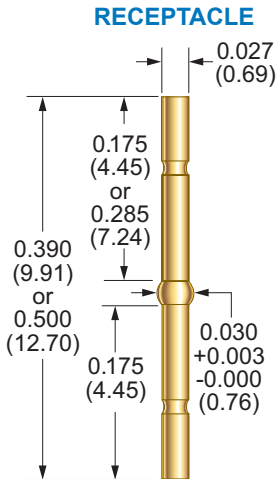
R - SS - 30 - CR <small>1 2 3</small>	
1 ► SERIES	R - SS
2 ► SIZE	30
3 ► TERMINATION	CR CRIMP SC SOLDER CUP
	PW - 12 - 1 PREATTACHED WIRE 12 IN., 1 IN. STRIP LENGTH ⁽¹⁾
	PW - 36 - 1 PREATTACHED WIRE 36 IN., 1 IN. STRIP LENGTH ⁽¹⁾

1. Wire length 36" with a 1" strip length, 12" & 36" standard, blue solid conductor Kynar wire
 Dimensions are in inches (mm) | All specifications are subject to change

► R-00 SERIES

0.039 (1.00) Centers

For S-00 Series Probes see pg. 6
For SS-40 Series Probes see pg. 7



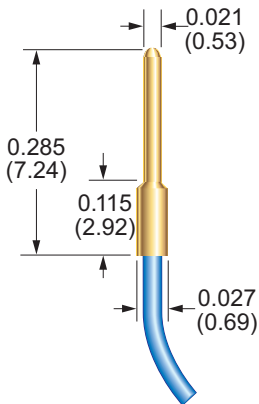
PROBE SPECIFICATIONS

Minimum Centers	0.039 (1.00)
Drill Size	0.75 mm
Mounting Hole Size	0.028/0.0295 (0.71/0.75)
Recommended Wire	30 gage
Receptacle Materials	Nickel/silver, gold plated
Plug-In Terminal Materials	Beryllium copper, preplated gold

TOOLS

Crimping Pliers	CP-00-390 (for 30 gage solid conductor) CP-00-500 (for 30 gage solid conductor)
Insertion Tool	RT-00

FP-PLUG



PART NUMBER	STYLE	RECEPTACLE OR TERMINAL LENGTH	PROBE/RECEPTACLE COMBINED LENGTH		PROBE/RECEPTACLE/TERMINAL COMBINED LENGTH	
			S-00	SS-40	S-00	SS-40
R-00-W-390	Receptacle	0.390 (9.91)	0.915 (23.24)	0.875 (22.23)	1.030 (26.16)	0.990 (25.15)
R-00-W-500	Receptacle	0.500 (12.70)	1.025 (26.04)	0.985 (25.02)	1.140 (28.96)	1.100 (27.94)
FP-Plug	Plug-In Terminal ⁽¹⁾	0.285 (7.24)	—	—	—	—

HOW TO ORDER RECEPTACLE

R - 00 - W - 390	
1	2
1 ► SERIES	R
2 ► SIZE	00
3 ► TERMINATION	W RECEPTACLE
4 ► LENGTH	390 0.390 IN. 500 0.500 IN.

HOW TO ORDER TERMINAL

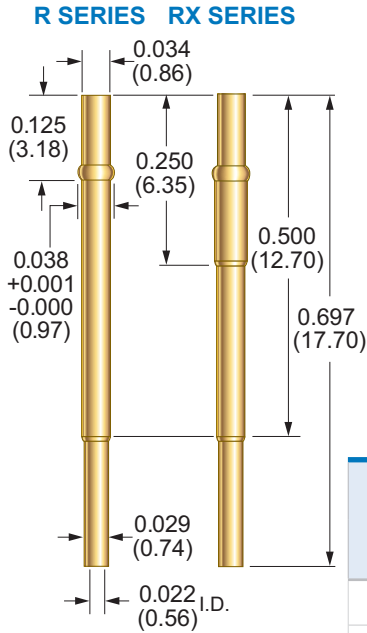
FP - PLUG - 36 - 1	
1	2
1 ► SERIES	FP - PLUG
2 ► WIRE ⁽¹⁾⁽²⁾	0 - 0 NO WIRE
	12 - 1 WIRE LENGTH 12 IN., 1 IN. STRIP LENGTH
	36 - 1 WIRE LENGTH 36 IN., 1 IN. STRIP LENGTH

1. Wire length 36" with a 1" strip length, 12" & 36" standard, blue solid conductor Kynar wire
2. To order without preattached wire, leave wire length and strip length off of the end of the part number
Dimensions are in inches (mm) | All specifications are subject to change

► **R-0 SERIES**

0.050 (1.27) Centers

For S-0 Series Probes see pg. 8
For SS-50 Series Probes see pg. 9



PROBE SPECIFICATIONS

Minimum Centers	0.050 (1.27)
Drill Size	#64
Mounting Hole Size	0.035/0.0365 (0.89/0.93)
Recommended Wire	28-30 gage
Materials	Nickel/silver, gold plated, gold plated post

TOOLS

Crimping Pliers	CP-0 (for 28-30 gage solid conductor)
Insertion Tool	RT-0

PART NUMBER	STYLE	RECEPTACLE LENGTH	PROBE/RECEPTACLE COMBINED LENGTH		NOTES
			S-0	SS-50	
R-0-CR	Crimp	0.697 (17.70)	0.857 (21.77)	0.807 (20.50)	—
R-0-SC	Solder Cup	0.697 (17.70)	0.857 (21.77)	0.807 (20.50)	—
R-0-WW-016	Wire Wrap	0.947 (24.05)	1.107 (28.12)	1.057 (26.85)	0.250 post length – 0.016 sq.
R-0-WW-025	Wire Wrap	0.997 (25.32)	1.157 (29.39)	1.107 (28.12)	0.300 post length – 0.025 sq.
R-0-PW-12-1	Preattached Wire ⁽²⁾	0.697 (17.70)	0.857 (21.77)	0.807 (20.50)	12" wire length, 1" strip length
R-0-PW-36-1	Preattached Wire ⁽²⁾	0.697 (17.70)	0.857 (21.77)	0.807 (20.50)	36" wire length, 1" strip length

HOW TO ORDER

R - 0 - CR	
1 2 3	
1 ► SERIES	R RX⁽¹⁾
2 ► SIZE	0
3 ► TERMINATION	CR CRIMP SC SOLDER CUP
	WW - 016 WIRE WRAP 0.016 SQ. WW - 025 WIRE WRAP 0.025 SQ.
	PW - 12 - 1 PREATTACHED WIRE 12 IN., 1 IN. STRIP LENGTH ⁽²⁾
	PW - 36 - 1 PREATTACHED WIRE 36 IN., 1 IN. STRIP LENGTH ⁽²⁾

1. Improved pointing accuracy

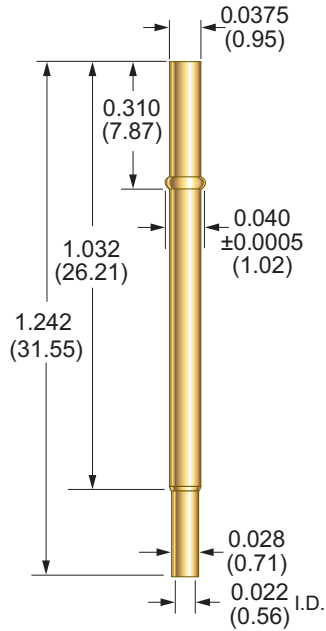
2. Wire length 36" with a 1" strip length, 12" & 36" standard, blue solid conductor Kynar wire. Available in R-0 type receptacles only

► R-50C SERIES

0.050 (1.27) Centers

For ICT-50C/S-50C Series Probes see pg. 10

For S-50C Rotator Series Probes see pg. 11



PROBE SPECIFICATIONS

Minimum Centers	0.050 (1.27)
Drill Size	#61
Mounting Hole Size	0.0385/0.0390 (0.98/0.99)
Recommended Wire	28-30 gage
Materials	Beryllium copper, preplated gold, gold plated post

TOOLS

Crimping Pliers	CP-50C (for 28-30 gage solid conductor)
Insertion Tool	RT-50

PART NUMBER	STYLE	RECEPTACLE LENGTH	PROBE/RECEPTACLE COMBINED LENGTH	NOTES
R-50C-CR	Crimp	1.242 (31.54)	1.572 (39.92)	—
R-50C-SC	Solder Cup	1.242 (31.54)	1.572 (39.92)	—
R-50C-WW-016	Wire Wrap	1.492 (37.89)	1.822 (46.27)	0.250 post length – 0.016 sq.
R-50C-WW-025	Wire Wrap	1.542 (39.16)	1.872 (47.55)	0.300 post length – 0.025 sq.
R-50C-PW-12-1	Preattached Wire ⁽¹⁾	1.242 (31.54)	1.572 (39.92)	12" wire length, 1" strip length
R-50C-PW-36-1	Preattached Wire ⁽¹⁾	1.242 (31.54)	1.572 (39.92)	36" wire length, 1" strip length

HOW TO ORDER

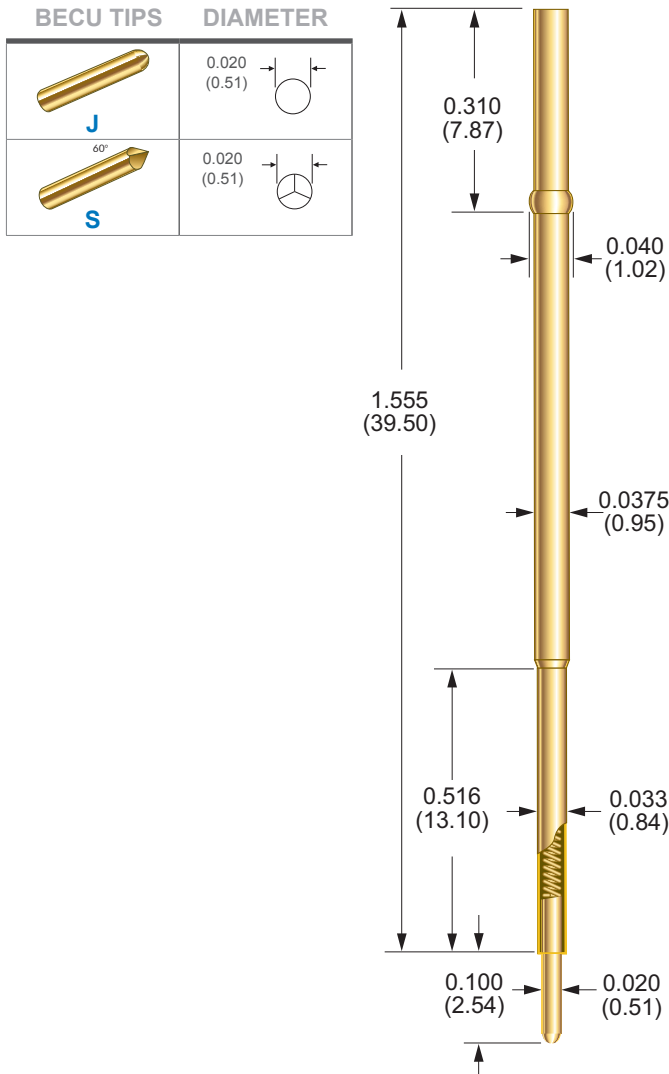
R - 50C - CR 1 2 3	
1 ► SERIES	R
2 ► SIZE	50C
3 ► TERMINATION	CR CRIMP SC SOLDER CUP
	WW - 016 WIRE WRAP 0.016 SQ. WW - 025 WIRE WRAP 0.025 SQ.
	PW - 12 - 1 PREATTACHED WIRE 12 IN., 1 IN. STRIP LENGTH ⁽¹⁾
	PW - 36 - 1 PREATTACHED WIRE 36 IN., 1 IN. STRIP LENGTH ⁽¹⁾

1. Wire length 36" with a 1" strip length, 12" & 36" standard, blue solid conductor Kynar wire
Dimensions are in inches (mm) | All specifications are subject to change

► **R-50C-J-DE SERIES**

0.050 (1.27) Centers | Wireless Receptacle

For ICT-50C/S-50C Series Probes see pg. 10



PROBE SPECIFICATIONS

Minimum Centers	0.050 (1.27)
Drill Size	#61
Mounting Hole Size	0.0385/0.0390 (0.98/0.99)
Spring Force	2.70 oz (77 g) @ 0.069 (1.75) travel
Maximum Travel	0.100 (2.54)
Working Travel	0.070 (1.77)

MATERIALS

Receptacle	Beryllium copper, gold plated
Spring	Music wire, gold plated
Plunger	Beryllium copper, gold plated over nickel

TOOLS

Insertion Tool	RT-50
----------------	-------

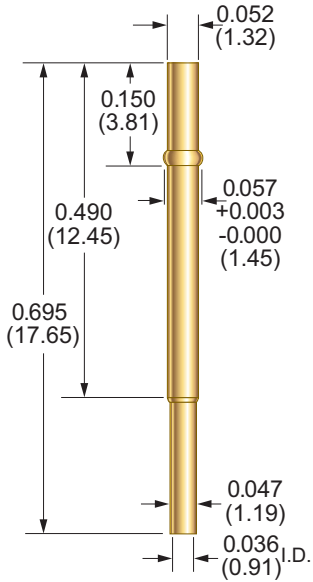
HOW TO ORDER

R - 50C - J - DE	
	1 2 3 4
1 ► SERIES	R
2 ► SIZE	50C
3 ► TIP STYLE	J, S
4 ► TERMINATION	DE DOUBLE-ENDED

► **R-1 SERIES**

0.075 (1.91) Centers

For S-1 Series Probes see pg. 13
For SS-75 Series Probes see pg. 14



PROBE SPECIFICATIONS

Minimum Centers	0.075 (1.91)
Drill Size	1.45 mm
Mounting Hole Size	0.055/0.057 (1.40/1.45)
Recommended Wire	24-28 gage
Materials	Nickel/silver, gold plated, gold plated post

TOOLS

Crimping Pliers	CP-1 (for 24-28 gage solid conductor)
Insertion Tool	RT-1

PART NUMBER	STYLE	RECEPTACLE LENGTH	PROBE/RECEPTACLE COMBINED LENGTH		NOTES
			S-1	SS-75	
R-1-CR	Crimp	0.695 (17.65)	0.875 (22.23)	0.825 (20.96)	—
R-1-SC	Solder Cup	0.695 (17.65)	0.875 (22.23)	0.825 (20.96)	—
R-1-RP	Round Post	1.070 (27.18)	1.250 (31.75)	1.200 (30.48)	0.375 post length – 0.025 dia.
R-1-WW-429	Wire Wrap	1.124 (28.55)	1.304 (33.12)	1.254 (31.85)	0.429 post length – 0.025 dia.

HOW TO ORDER

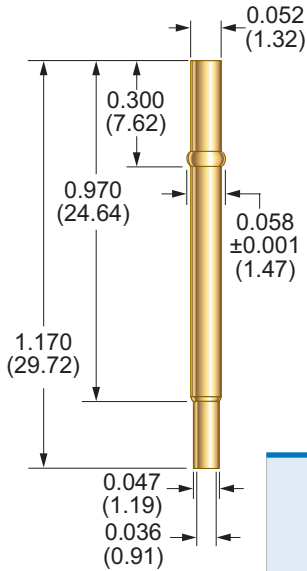
R - 1 - WW - 429	
1 2 3	
1 ► SERIES	R
2 ► SIZE	1
3 ► TERMINATION	CR CRIMP SC SOLDER CUP
	RP ROUND POST WW - 429 WIRE WRAP 0.429 POST LENGTH

1. Wire length 36" with a 1" strip length, 12" & 36" standard, blue solid conductor Kynar wire
Dimensions are in inches (mm) | All specifications are subject to change

► R-075 SERIES

0.075 (1.91) Centers

For ICT-075/S-075 Series Probes see pg. 15
 For ICT-075 Lead Free Series Probes see pg. 16
 For S-075 Rotator Series Probes see pg. 17
 For ICT-L075 Series Probes see pg. 18



PROBE SPECIFICATIONS

Minimum Centers	0.075 (1.91)
Drill Size	1.45 mm
Mounting Hole Size	0.055/0.057 (1.40/1.45)
Recommended Wire	24-28 gage
Materials	Nickel/silver, gold plated, gold plated post

TOOLS

Crimping Pliers	CP-1 (for 24-28 gage solid conductor)
Insertion Tool	RT-1

PART NUMBER	STYLE	RECEPTACLE LENGTH	PROBE/RECEPTACLE COMBINED LENGTH		NOTES
			ICT-075/S-075	ICT-L075	
R-075-CR	Crimp	1.170 (29.72)	1.500 (38.10)	1.650 (41.91)	—
R-075-SC	Solder Cup	1.170 (29.72)	1.500 (38.10)	1.650 (41.91)	—
R-075-RP	Round Post	1.545 (39.24)	1.875 (47.63)	2.025 (51.44)	0.375 post length – 0.025 dia.
R-075-WW-429	Wire Wrap	1.599 (40.61)	1.929 (49.00)	2.079 (52.81)	0.429 post length – 0.025 dia.

HOW TO ORDER

R - 075 - WW - 429
 1 2 3


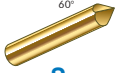
1 ► SERIES	R
2 ► SIZE	075
3 ► TERMINATION	CR CRIMP SC SOLDER CUP
	RP ROUND POST WW - 429 WIRE WRAP 0.429 POST LENGTH

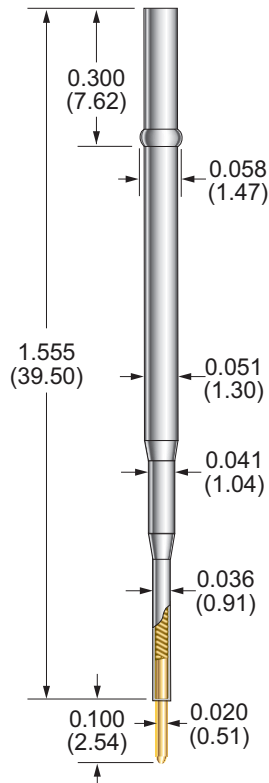
1. Wire length 36" with a 1" strip length, 12" & 36" standard, blue solid conductor Kynar wire
 Dimensions are in inches (mm) | All specifications are subject to change

► **R-075-J-DE SERIES**

0.075 (1.91) Centers | Wireless Receptacle

For ICT-075/S-075 Series Probes see pg. 15
 For ICT-075 Lead Free Series Probes see pg. 16
 For ICT-L075 Series Probes see pg.18

BECU TIPS	DIAMETER
 J	0.020 (0.51)
 S	0.020 (0.51)



PROBE SPECIFICATIONS

Minimum Centers	0.075 (1.91)
Drill Size	1.45 mm
Mounting Hole	0.055/0.057 (1.40/1.45)
Spring Force	2.70 oz (77 g) @ 0.070 (1.77) travel
Maximum Travel	0.100 (2.54)
Working Travel	0.070 (1.77)

MATERIALS

Receptacle	Nickel/silver, gold lined inside
Spring	Music wire, gold plated
Plunger	Beryllium copper, gold plated over nickel

TOOLS

Insertion Tool	RT-1
----------------	------

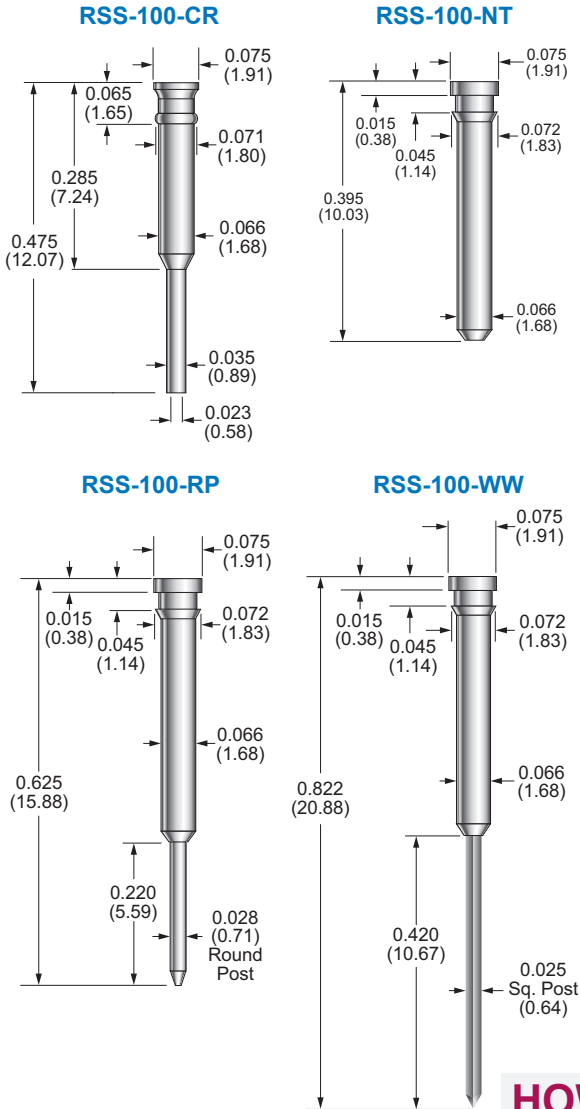
HOW TO ORDER

R - 075 - J - DE	
	1 2 3 4
1 ► SERIES	R
2 ► SIZE	075
3 ► TIP STYLE	J, S
4 ► TERMINATION	DE DOUBLE-ENDED

► RSS-100 SERIES

0.100 (2.54) Centers

For SS/GSS Series Probes see pg. 19



PROBE SPECIFICATIONS

Minimum Centers	0.100 (2.54)
Drill Size	#50
Mounting Hole Size	0.068/0.070 (1.73/1.78)
Recommended Wire	28-30 gage
Materials	Nickel/silver

TOOLS

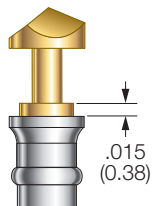
Crimping Pliers	CP-SS-100 (for 28-30 gage solid conductor)
Insertion Tool	RT-SS-100

PART NUMBER	STYLE	RECEPTACLE LENGTH	PROBE/RECEPTACLE COMBINED LENGTH	NOTES
RSS-100-CR	Crimp	0.475 (12.07)	0.550 (13.97) ⁽¹⁾	—
RSS-100-NT	No Tail	0.402 (10.21)	0.462 (11.73) ⁽¹⁾	—
RSS-100-RP	Round Post	0.625 (15.88)	0.685 (17.40) ⁽¹⁾	0.220 post length – 0.028 dia.
RSS-100-WW	Wire Wrap	0.822 (20.88)	0.882 (22.40) ⁽¹⁾	0.420 post length – 0.025 dia.
RSS-100-PW-12-1	Preattached Wire ⁽²⁾	0.475 (12.07)	0.550 (13.97) ⁽¹⁾	12" wire length, 1" strip length
RSS-100-PW-36-1	Preattached Wire ⁽²⁾	0.475 (12.07)	0.550 (13.97) ⁽¹⁾	36" wire length, 1" strip length

TIP	HEAD LENGTH	TIP	HEAD LENGTH
1	0.040 (1.02)	10	0.028 (0.71)
2	0.028 (0.71)	11	0.040 (1.02)
3	0.028 (0.71)	18	0.060 (1.52)
4	0.040 (1.02)	19	0.055 (1.40)
5	0.080 (2.03)		

PROBE EXTENSION

See chart for head length



HOW TO ORDER

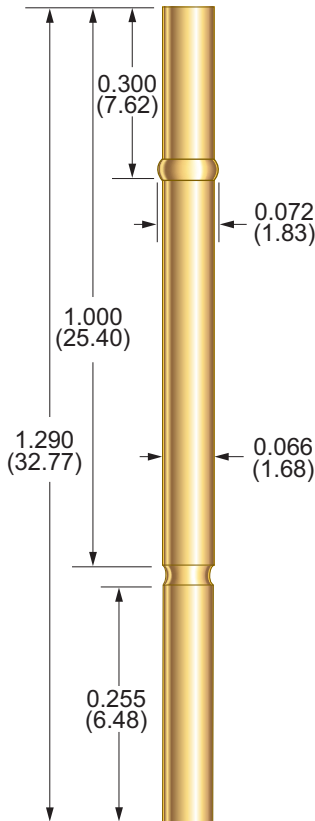
	RSS - 100 - WW - G
	1 2 3 4
1 ► SERIES	RSS
2 ► SIZE	100
3 ► TERMINATION	CR CRIMP
	NT NO TAIL
	RP ROUND POST
	WW WIRE WRAP
	PW - 12 - 1 PREATTACHED WIRE 12 IN., 1 IN. STRIP LENGTH ⁽¹⁾
	PW - 36 - 1 PREATTACHED WIRE 36 IN., 1 IN. STRIP LENGTH ⁽¹⁾
4 ► PLATING OPTION	G GOLD

1. Plus head length per tip style – see chart
 2. Wire length 36" with a 1" strip length, 12" & 36" standard, blue solid conductor Kynar wire
 Dimensions are in inches (mm) | All specifications are subject to change

► **R-100/SS SERIES**

0.100 (2.54) Centers

For ICT-L100 Series Probes see pg. 18 (for top end of receptacle)
 For SS/GSS Series Probes see pg. 19 (for bottom end of receptacle)
 For ICT-100/S-100 Series Probes see pg. 21 (for top end of receptacle)

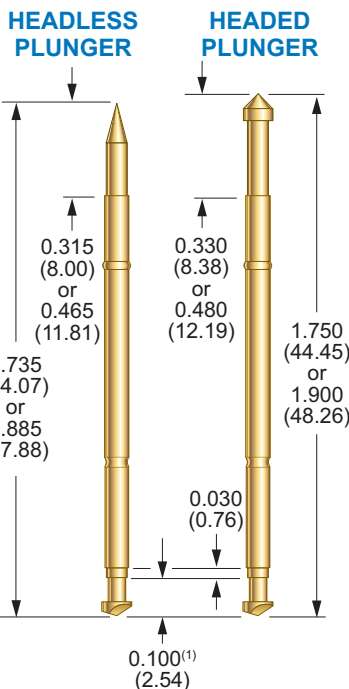


PROBE SPECIFICATIONS

Minimum Centers	0.100 (2.54)
Drill Size	#50
Mounting Hole Size	0.068/0.070 (1.73/1.78)
Materials	Nickel/silver, gold plated

TOOLS

Insertion Tool	RT-100
-----------------------	--------



HOW TO ORDER

R - 100 / SS	
1	
1 ► SERIES	R - 100 / SS

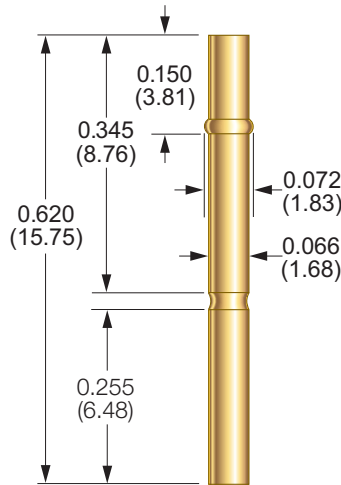
1. For plunger with 0.040 (1.02) tip length
 2. Headed plunger only this end

Dimensions are in inches (mm) | All specifications are subject to change

► R-SS/SS SERIES

0.100 (2.54) Centers

For SS/GSS Series Probes see pg. 19
(Receptacle houses an SS-100 or GSS-100 on each end)



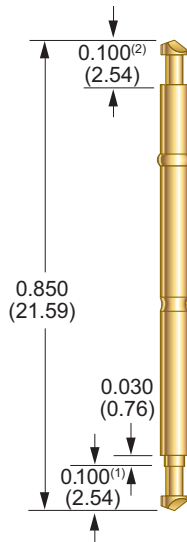
PROBE SPECIFICATIONS

Minimum Centers	0.100 (2.54)
Drill Size	#50
Mounting Hole Size	0.068/0.070 (1.73/1.78)
Materials	Nickel/silver, gold plated

TOOLS

Insertion Tool	RT-100
----------------	--------

HEADED PLUNGER



HOW TO ORDER

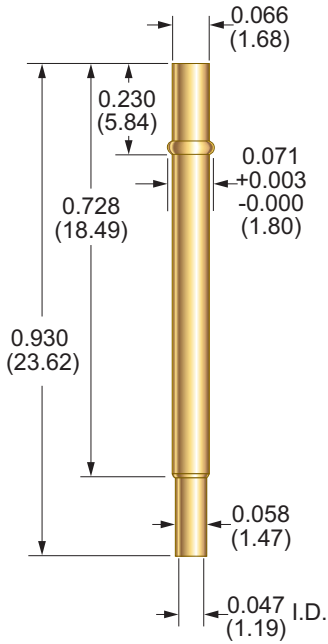
	R - SS / SS
	1
1 ► SERIES	R - SS / SS

1. For plunger with 0.040 (1.02) tip length
2. Headed plunger only this end
Dimensions are in inches (mm) | All specifications are subject to change

► **R-2 SERIES**

0.100 (2.54) Centers

For S-2 Series Probes see pg. 20



PROBE SPECIFICATIONS

Minimum Centers	0.100 (2.54)
Drill Size	#50
Mounting Hole Size	0.068/0.070 (1.73/1.78)
Recommended Wire	22-26 gage
Materials	Nickel/silver, gold plated, gold plated post

TOOLS

Crimping Pliers	CP-2 (for 22-26 gage solid conductor)
Insertion Tool	RT-100

PART NUMBER	STYLE	RECEPTACLE LENGTH	PROBE/RECEPTACLE COMBINED LENGTH	NOTES
R-2-CR	Crimp	0.930 (23.62)	1.170 (29.72)	—
R-2-SC	Solder Cup	0.930 (23.62)	1.170 (29.72)	—
R-2-RP	Round Post	1.305 (31.15)	1.545 (39.24)	0.375 post length – 0.025 dia.
R-2-WW-429	Wire Wrap	1.359 (34.52)	1.599 (40.61)	0.429 post length – 0.025 dia.

HOW TO ORDER

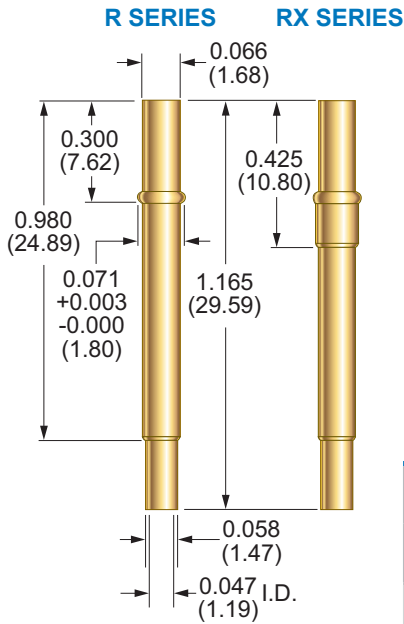
R - 2 - WW - 429
 1 2 3

1 ► SERIES	R
2 ► SIZE	2
3 ► TERMINATION	CR CRIMP SC SOLDER CUP
	RP ROUND POST WW - 429 WIRE WRAP 0.429 POST LENGTH

▶ R-100 SERIES

0.100 (2.54) Centers

For ICT-100/S-100 Series Probes see pg. 21
 For ICT-100 Lead Free Series Probes see pg. 22
 For S-100 Rotator Series Probes see pg. 23
 For ICT-L100 Series Probes see pg. 24



PROBE SPECIFICATIONS

Minimum Centers	0.100 (2.54)
Drill Size	#50
Mounting Hole Size	0.068/0.070 (1.73/1.78)
Recommended Wire	22-26 gage
Materials	Nickel/silver, gold plated, gold plated post

TOOLS

Crimping Pliers	CP-2 (for 22-26 gage solid conductor)
Insertion Tool	RT-100

PART NUMBER	STYLE	RECEPTACLE LENGTH	PROBE/RECEPTACLE COMBINED LENGTH		NOTES
			ICT-100/S-100	ICT-L100	
R-100-CR	Crimp	1.165 (29.59)	1.495 (37.97)	1.645 (41.78)	—
R-100-SC	Solder Cup	1.165 (29.59)	1.495 (37.97)	1.645 (41.78)	—
R-100-RP	Round Post	1.540 (39.12)	1.870 (47.50)	2.020 (51.31)	0.375 post length – 0.025 dia.
R-100-WW-429	Wire Wrap	1.594 (40.49)	1.924 (48.87)	2.074 (52.68)	0.429 post length – 0.025 dia.

HOW TO ORDER


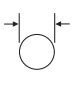
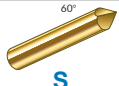
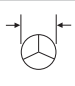
R - 100 - WW - 429	
1 2 3	
1 ▶ SERIES	R RX ⁽¹⁾
2 ▶ SIZE	100
3 ▶ TERMINATION	CR CRIMP SC SOLDER CUP
	RP ROUND POST WW - 429 WIRE WRAP 0.429 POST LENGTH

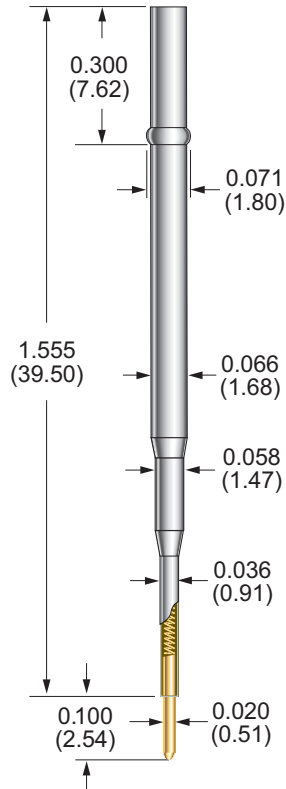
1. Improved pointing accuracy
 Dimensions are in inches (mm) | All specifications are subject to change

► **R-100-J-DE SERIES**

0.100 (2.54) Centers | Wireless Receptacle

For ICT-100/S-100 Series Probes see pg. 21
 For ICT-100 Lead Free Series Probes see pg. 22
 For ICT-L100 Series Probes see pg. 24

BECU TIPS	DIAMETER
 J	0.020 (0.51) 
 S	0.020 (0.51) 



PROBE SPECIFICATIONS

Minimum Centers	0.100 (2.54)
Drill Size	#50
Mounting Hole	0.068/0.070 (1.73/1.78)
Spring Force	2.70 oz (77 g) @ 0.070 (1.77) travel
Maximum Travel	0.100 (2.54)
Working Travel	0.070 (1.77)

MATERIALS

Receptacle	Nickel/silver, gold lined inside
Spring	Music wire, gold plated
Plunger	Beryllium copper, gold plated over nickel

TOOLS

Insertion Tool	RT-100
----------------	--------

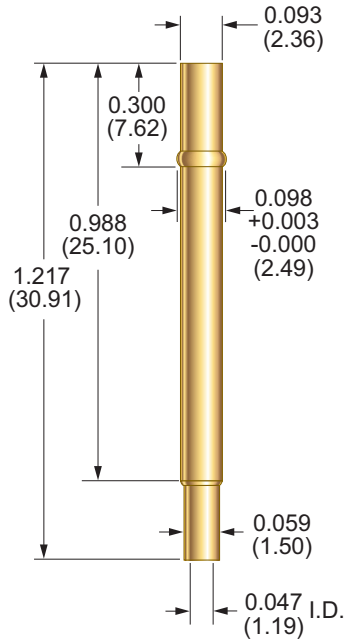
HOW TO ORDER

R - 100 - J - DE	
1 2 3 4	
1 ► SERIES	R
2 ► SIZE	100
3 ► TIP STYLE	J, S
4 ► TERMINATION	DE DOUBLE-ENDED

▶ R-3 SERIES

0.125 (3.18) Centers

For S-3 Series Probes see pg. 25



PROBE SPECIFICATIONS

Minimum Centers	0.125 (3.18)
Drill Size	#41
Mounting Hole Size	0.094/0.096 (2.39/2.44)
Recommended Wire	22-26 gage
Materials	Nickel/silver, gold plated, gold plated post

TOOLS

Crimping Pliers	CP-3 (for 22-26 gage solid conductor)
Insertion Tool	RT-3

PART NUMBER	STYLE	RECEPTACLE LENGTH	PROBE/RECEPTACLE COMBINED LENGTH	NOTES
R-3-CR	Crimp	1.217 (30.91)	1.539 (39.09)	—
R-3-SC	Solder Cup	1.217 (30.91)	1.539 (39.09)	—
R-3-WW-429	Wire Wrap	1.646 (41.81)	1.968 (49.99)	0.429 post length – 0.025 sq.

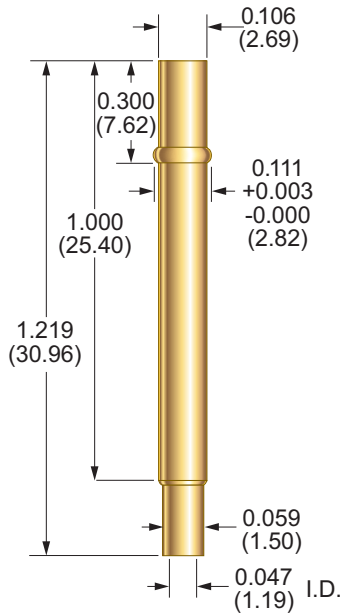
HOW TO ORDER

R - 3 - WW - 429	
1 2 3	
1 ▶ SERIES	R
2 ▶ SIZE	3
3 ▶ TERMINATION	CR CRIMP SC SOLDER CUP
	WW - 429 WIRE WRAP 0.429 POST LENGTH

► **R-4 SERIES**

0.156 (3.96) – 0.187 (4.75) Centers

For S-4 Series Probes see pg. 26



PROBE SPECIFICATIONS

Minimum Centers	0.156 (3.96) (tips: B, C, D, G, J, K) or 0.187 (4.75) (tips: A, E, F, H)
Drill Size	#35
Mounting Hole Size	0.108/0.110 (2.74/2.79)
Recommended Wire	22-26 gage
Materials	Nickel/silver, gold plated, gold plated post

TOOLS

Crimping Pliers	CP-4 (for 22-26 gage solid conductor)
Insertion Tool	RT-4

PART NUMBER	STYLE	RECEPTACLE LENGTH	PROBE/RECEPTACLE COMBINED LENGTH	NOTES
R-4-CR	Crimp	1.219 (30.96)	1.549 (39.34)	—
R-4-SC	Solder Cup	1.219 (30.96)	1.549 (39.34)	—
R-4-WW-429	Wire Wrap	1.648 (41.86)	1.978 (50.24)	0.429 post length – 0.025 sq.

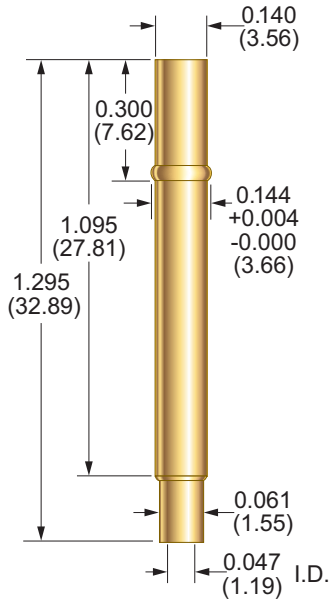
HOW TO ORDER

R - 4 - WW - 4 2 9	
1 2 3	
1 ► SERIES	R
2 ► SIZE	4
3 ► TERMINATION	CR CRIMP SC SOLDER CUP
	WW - 4 2 9 WIRE WRAP 0.429 POST LENGTH

► R-5 SERIES

0.187 (4.75) – 0.300 (7.62) Centers

For S-5 Series Probes see pg. 27



PROBE SPECIFICATIONS

Minimum Centers	0.187 (4.75) or 0.300 (7.62) (<i>tip: HLF</i>)
Drill Size	3.60 mm
Mounting Hole Size	0.141/0.143 (3.58/3.63)
Recommended Wire	22-26 gage
Materials	Nickel/silver, gold plated, gold plated post

TOOLS

Crimping Pliers	CP-5 (<i>for 22-26 gage solid conductor</i>)
Insertion Tool	RT-5

PART NUMBER	STYLE	RECEPTACLE LENGTH	PROBE/RECEPTACLE COMBINED LENGTH	NOTES
R-5-CR	Crimp	1.295 (32.89)	1.620 (41.15)	—
R-5-SC	Solder Cup	1.295 (32.89)	1.620 (41.15)	—
R-5-WW-429	Wire Wrap	1.724 (43.79)	2.049 (52.04)	0.429 post length – 0.025 sq.

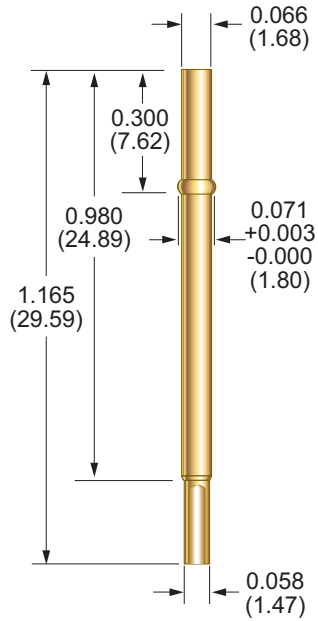
HOW TO ORDER

R - 5 - WW - 4 2 9	
1 2 3	
1 ► SERIES	R
2 ► SIZE	5
3 ► TERMINATION	CR CRIMP SC SOLDER CUP
	WW - 4 2 9 WIRE WRAP 0.429 POST LENGTH

► **RH-100 SERIES**

0.100 (2.54) Centers

For SH-100/SHE-100 Series Probes see pg. 35



PROBE SPECIFICATIONS

Minimum Centers	0.100 (2.54)
Drill Size	#50
Mounting Hole Size	0.068/0.070 (1.73/1.78)
Recommended Wire	22-26 gage
Materials	Copper alloy, gold plated

TOOLS

Insertion Tool	RT-100
-----------------------	--------

PART NUMBER	STYLE	RECEPTACLE LENGTH	PROBE/RECEPTACLE COMBINED LENGTH	NOTES
RH-100-SC	Solder Cup	1.165 (29.59)	1.495 (37.97)	—
RH-100-WW-429	Wire Wrap	1.594 (40.49)	1.924 (48.87)	0.429 post length – 0.025 sq.

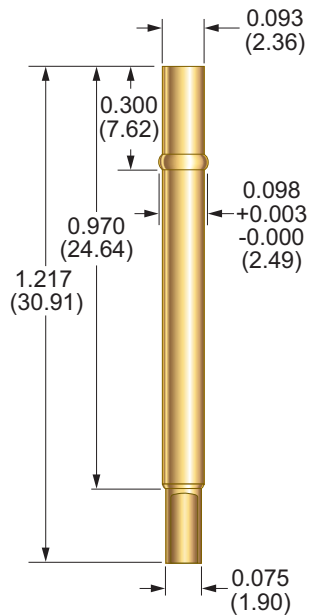
HOW TO ORDER

RH - 100 - WW - 429 <small>1 2 3</small>	
1 ► SERIES	RH
2 ► SIZE	100
3 ► TERMINATION	SC CRIMP WW - 429 WIRE WRAP 0.429 POST LENGTH

▶ RH-3 SERIES

0.125 (3.18) Centers

For SH-3/SHE-3 Series Probes see pg. 36



PROBE SPECIFICATIONS

Minimum Centers	0.125 (3.18)
Drill Size	#41
Mounting Hole Size	0.094/0.096 (2.39/2.44)
Recommended Wire	16 gage max.
Materials	Copper alloy, gold plated

TOOLS

Insertion Tool	RT-3
----------------	------

PART NUMBER	STYLE	RECEPTACLE LENGTH	PROBE/RECEPTACLE COMBINED LENGTH
RH-3-SC	Solder Cup	1.217 (30.91)	1.539 (39.09)

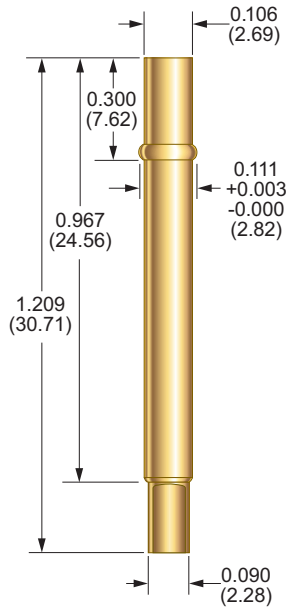
HOW TO ORDER

RH - 3 - SC <small>1 2 3</small>	
1 ▶ SERIES	RH
2 ▶ SIZE	3
3 ▶ TERMINATION	SC SOLDER CUP

► **RH-4 SERIES**

0.156 (3.96) – 0.187 (4.75) Centers

For SH-4/SHE-4 Series Probes see pg. 37



PROBE SPECIFICATIONS

Minimum Centers	0.156 (3.96) (tips: B, K) or 0.187 (4.75) (tips: A, F, H)
Drill Size	#35
Mounting Hole Size	0.108/0.110 (2.74/2.79)
Recommended Wire	16 gage max.
Materials	Copper alloy, gold plated

TOOLS

Insertion Tool	RT-4
-----------------------	------

PART NUMBER	STYLE	RECEPTACLE LENGTH	PROBE/RECEPTACLE COMBINED LENGTH
RH-4-SC	Solder Cup	1.209 (30.71)	1.539 (39.09)

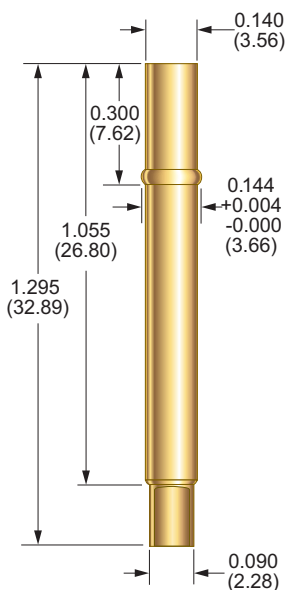
HOW TO ORDER

RH - 4 - SC <small>1 2 3</small>	
1 ► SERIES	RH
2 ► SIZE	4
3 ► TERMINATION	SC SOLDER CUP

▶ RH-5 SERIES

0.187 (4.75) Centers

For SH-5/SHE-5 Series Probes see pg. 38



PROBE SPECIFICATIONS

Minimum Centers	0.187 (4.75)
Drill Size	3.60 mm
Mounting Hole Size	0.141/0.143 (3.58/3.63)
Recommended Wire	16 gage max.
Materials	Copper alloy, gold plated

TOOLS

Insertion Tool	RT-5
----------------	------

PART NUMBER	STYLE	RECEPTACLE LENGTH	PROBE/RECEPTACLE COMBINED LENGTH
RH-5-SC	Solder Cup	1.295 (32.89)	1.620 (41.15)

HOW TO ORDER

RH - 5 - SC
 1 2 3

1 ▶ SERIES	RH
2 ▶ SIZE	5
3 ▶ TERMINATION	SC SOLDER CUP

X-ON Electronics

Largest Supplier of Electrical and Electronic Components

Click to view similar products for [Contact Probes](#) category:

Click to view products by [Smiths Interconnect](#) manufacturer:

Other Similar products are found below :

[CT5253](#) [CT5082](#) [100039-033-958](#) [100077-003-0-0](#) [300122-031-1102](#) [R-2-RP-375](#) [S-4-C-5-G S/C](#) [300122-056-0203](#) [SS-75-B-2.4-G](#) [ICT-100-J-17-G](#) [SS-75-C-4.9-D D/C .620 OAL](#) [100165-033-952](#) [100024-002-942](#) [SS-75-E-4.9-D D/C .620 OAL](#) [SX-0-U-2.2-G D/C](#) [101740-028-948](#) [ICT-100-V8-8-G S/C](#) [ICT-100-A-8-G S/C](#) [ICT-075-B-10-G-S S/C](#) [S-2-D-8.3-G D/C](#) [S-2-D-10-G D/C](#) [GSS-19-7-G S/C OAL](#) [ICT-100-T-8-G S/C](#) [GSS-4-7-G](#) [S-0-B9-2.5-G S/C](#) [SS-40-J-2.4-G D/C](#) [S-0-A-2.2-D 660 S/C](#) [SS-50-J-3.3-D S/C](#) [S-0-V-3.7-G S/C](#) [SX-2-B-7-G D/C](#) [SX-1-U-6.6-G D/C](#) [SX-1-C-6.6-G D/C](#) [SS-75-D-4.9-D D/C .620 OAL](#) [SS-50-E-2.9-G S/C](#) [SS-40-J-1.8-G-N/L D/C](#) [SS-3-7-G S/C W/HOLE .373 OAL](#) [SS-18-7-G S/C W/HOLE .405 OAL](#) [SS-10-7-G S/C W/HOLE .373 OAL](#) [SS-1-7-G S/C W/HOLE .385 OAL](#) [SHE-5-H-18.7-G](#) [SHE-5-B-18.7-G](#) [SHE-5-A-18.7-G](#) [SHE-3-A-7-G](#) [SH-4-A-10-G S/C](#) [101057-001-952](#) [S-50C-HS-4.3-DG-S](#) [S-5-F-8-G S/C SS SPGS](#) [S-5-F-16.4-G S/C](#) [S-4-E-5-D S/C](#) [S-2-J-8.3-G D/C](#)