

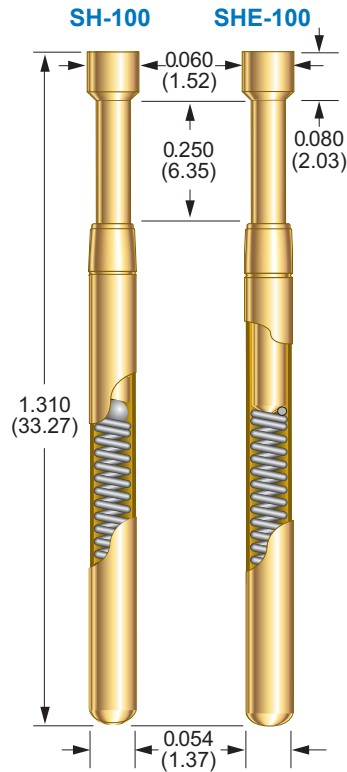
► **SH-100 & SHE-100 SERIES**

0.100 (2.54) Centers

For RH-100 Series Receptacles see pg. 69

SHE-100 BECU TIPS	DIAMETER
<b>A</b>	0.060 (1.52)
<b>B</b>	0.036 (0.91)
<b>H</b>	0.060 (1.52)
<b>K</b>	0.060 (1.52)

SH-100 BECU TIPS	DIAMETER
<b>A</b>	0.060 (1.52)
<b>F</b>	0.060 (1.52)
<b>H</b>	0.060 (1.52)
<b>J</b>	0.036 (0.91)



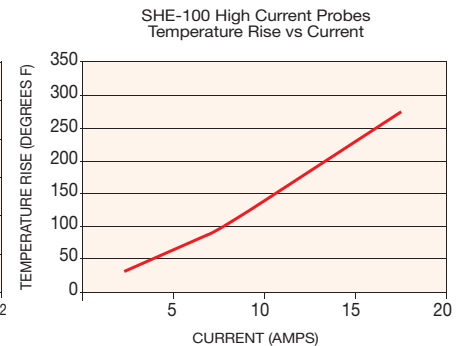
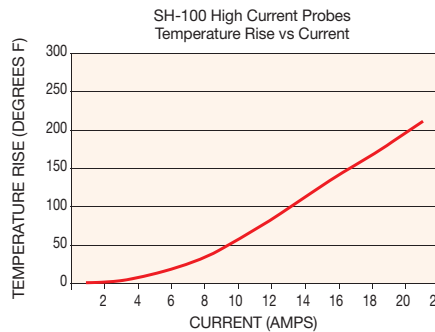
**PROBE SPECIFICATIONS**

<b>Minimum Centers</b>	0.100 (2.54)
<b>Current Rating</b>	SHE-100: 8 A continuous SH-100: 15 A continuous <i>(individual probe in free air @ ambient temperature)</i>
<b>Spring Force</b>	4.00 oz (113 g) <sup>(1)</sup> or 6.70 oz (190 g) @ 0.170 (4.32) travel
<b>Preload Force</b>	1.60 oz (45 g) (4.00 oz spring) <sup>(1)</sup> 2.40 oz (68 g) (6.70 oz spring)
<b>Maximum Travel</b>	0.250 (6.35)
<b>Working Travel</b>	0.170 (4.32)

**MATERIALS**

<b>Barrel</b>	High performance copper alloy, gold plated
<b>Spring</b>	Stainless steel
<b>Plunger</b>	Beryllium copper, gold plated
<b>Ball<sup>(1)</sup></b>	Stainless steel

**0.100 CENTER HIGH CURRENT PROBES CURRENT RATINGS<sup>(2)</sup>**



**HOW TO ORDER**

	SHE - 100 - A - 6.7 - G				
	1	2	3	4	5
<b>1</b> ► SERIES	SH	SHE			
<b>2</b> ► SIZE	100				
<b>3</b> ► TIP STYLE	A, B, F, H, J, K				
<b>4</b> ► SPRING FORCE	4 oz. <sup>(1)</sup>		6.7 oz.		
<b>5</b> ► PLUNGER PLATING	G GOLD				

1. For SH-100 Series only

2. Smiths Connectors' current ratings are defined as the maximum current at which the temperature rise of the probe does not exceed 144°F (80°C) for a single probe in free air at ambient temperature for one hour. Dimensions are in inches (mm) | All specifications are subject to change

## X-ON Electronics

Largest Supplier of Electrical and Electronic Components

*Click to view similar products for [Contact Probes](#) category:*

*Click to view products by [Smiths Interconnect](#) manufacturer:*

Other Similar products are found below :

[CT5253](#) [CT5082](#) [100039-033-958](#) [100077-003-0-0](#) [300122-031-1102](#) [R-2-RP-375](#) [S-4-C-5-G S/C](#) [300122-056-0203](#) [SS-75-B-2.4-G](#) [ICT-100-J-17-G](#) [SS-75-C-4.9-D D/C .620 OAL](#) [100165-033-952](#) [100024-002-942](#) [SS-75-E-4.9-D D/C .620 OAL](#) [SX-0-U-2.2-G D/C](#) [101740-028-948](#) [ICT-100-V8-8-G S/C](#) [ICT-100-A-8-G S/C](#) [ICT-075-B-10-G-S S/C](#) [S-2-D-8.3-G D/C](#) [S-2-D-10-G D/C](#) [GSS-19-7-G S/C OAL](#) [ICT-100-T-8-G S/C](#) [GSS-4-7-G](#) [S-0-B9-2.5-G S/C](#) [SS-40-J-2.4-G D/C](#) [S-0-A-2.2-D 660 S/C](#) [SS-50-J-3.3-D S/C](#) [S-0-V-3.7-G S/C](#) [SX-2-B-7-G D/C](#) [SX-1-U-6.6-G D/C](#) [SX-1-C-6.6-G D/C](#) [SS-75-D-4.9-D D/C .620 OAL](#) [SS-50-E-2.9-G S/C](#) [SS-40-J-1.8-G-N/L D/C](#) [SS-3-7-G S/C W/HOLE .373 OAL](#) [SS-18-7-G S/C W/HOLE .405 OAL](#) [SS-10-7-G S/C W/HOLE .373 OAL](#) [SS-1-7-G S/C W/HOLE .385 OAL](#) [SHE-5-H-18.7-G](#) [SHE-5-B-18.7-G](#) [SHE-5-A-18.7-G](#) [SHE-3-A-7-G](#) [SH-4-A-10-G S/C](#) [101057-001-952](#) [S-50C-HS-4.3-DG-S](#) [S-5-F-8-G S/C SS SPGS](#) [S-5-F-16.4-G S/C](#) [S-4-E-5-D S/C](#) [S-2-J-8.3-G D/C](#)