

Thermocouple Probe

The Thermocouple Probe is an ungrounded, thermally conductive probe used for the measurement of variations in temperature. This probe is ideal for applications such as thermostat testing, semiconductor testing (burn-in), or any application in which accurate local temperature data is needed.

TEMPERATURE RANGE

Type T— up to 220° F

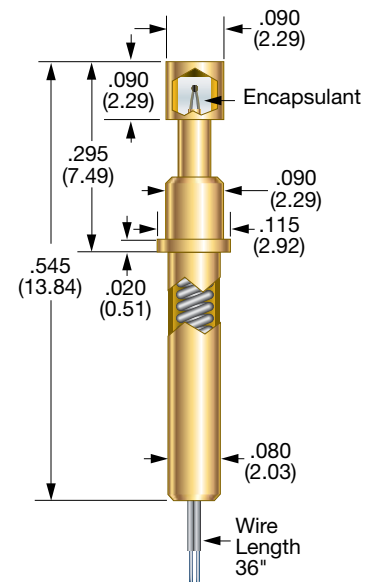
Type K— up to 350° F

THERMOCOUPLE PROBE DESIGN

The Thermocouple Probe's unique design insures that the wires are internally fixed. This is done to prevent the two thermocouple wires from becoming dislodged from the plunger head cavity. This result is increased durability, which extends the service life of the probe.

- The plunger material is gold plated over full hard beryllium copper
- The spring force is 3.0 oz. @ .060" rated travel
- The barrel is gold plated over brass.
- The plunger head cavity is filled with a thermally conductive, electrically insulative epoxy, encapsulating the thermocouple tip. The insulative epoxy allows for more efficient flow of heat to the thermocouple tip for faster temperature readings, while insulating it from electrical interference.

100895 THERMOCOUPLE PROBE



PROBE SPECIFICATIONS

Minimum Centers: .156 (3.96)
Spring Force: 3.0 oz. @ .060 (1.52) travel
Maximum Travel: .060 (1.52)
Working Travel: .060 (1.52)
Temperature Range:
Type T: up to 220° F
Type K: up to 350° F

MATERIALS

Barrel: Brass, gold plated
Spring: Stainless steel
Plunger: Brass, gold plated
Tip: Beryllium copper, gold plated
Encapsulant: Thermally conductive, electrically insulative epoxy
Wire: 36 Gage
Type T - Red & Blue
Type K - Red & Yellow

HOW TO ORDER

100895-000: for Type K
100895-002: for Type T

X-ON Electronics

Largest Supplier of Electrical and Electronic Components

Click to view similar products for [Contact Probes](#) category:

Click to view products by [Smiths Interconnect](#) manufacturer:

Other Similar products are found below :

[CT5253](#) [CT5082](#) [100039-033-958](#) [100077-003-0-0](#) [300122-031-1102](#) [R-2-RP-375](#) [S-4-C-5-G S/C](#) [300122-056-0203](#) [SS-75-B-2.4-G](#) [ICT-100-J-17-G](#) [SS-75-C-4.9-D D/C .620 OAL](#) [100165-033-952](#) [100024-002-942](#) [SS-75-E-4.9-D D/C .620 OAL](#) [SX-0-U-2.2-G D/C](#) [101740-028-948](#) [ICT-100-V8-8-G S/C](#) [ICT-100-A-8-G S/C](#) [ICT-075-B-10-G-S S/C](#) [S-2-D-8.3-G D/C](#) [S-2-D-10-G D/C](#) [GSS-19-7-G S/C OAL](#) [ICT-100-T-8-G S/C](#) [GSS-4-7-G](#) [S-0-B9-2.5-G S/C](#) [SS-40-J-2.4-G D/C](#) [S-0-A-2.2-D 660 S/C](#) [SS-50-J-3.3-D S/C](#) [S-0-V-3.7-G S/C](#) [SX-2-B-7-G D/C](#) [SX-1-U-6.6-G D/C](#) [SX-1-C-6.6-G D/C](#) [SS-75-D-4.9-D D/C .620 OAL](#) [SS-50-E-2.9-G S/C](#) [SS-40-J-1.8-G-N/L D/C](#) [SS-3-7-G S/C W/HOLE .373 OAL](#) [SS-18-7-G S/C W/HOLE .405 OAL](#) [SS-10-7-G S/C W/HOLE .373 OAL](#) [SS-1-7-G S/C W/HOLE .385 OAL](#) [SHE-5-H-18.7-G](#) [SHE-5-B-18.7-G](#) [SHE-5-A-18.7-G](#) [SHE-3-A-7-G](#) [SH-4-A-10-G S/C](#) [101057-001-952](#) [S-50C-HS-4.3-DG-S](#) [S-5-F-8-G S/C SS SPGS](#) [S-5-F-16.4-G S/C](#) [S-4-E-5-D S/C](#) [S-2-J-8.3-G D/C](#)