

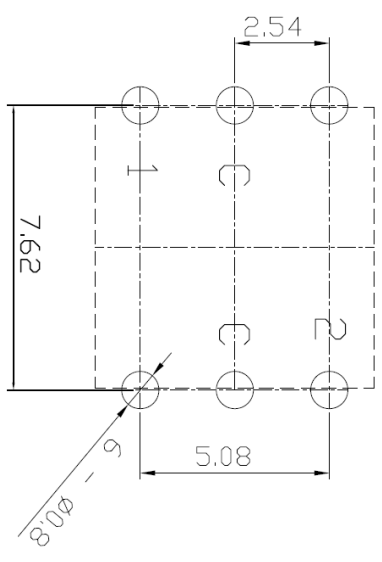
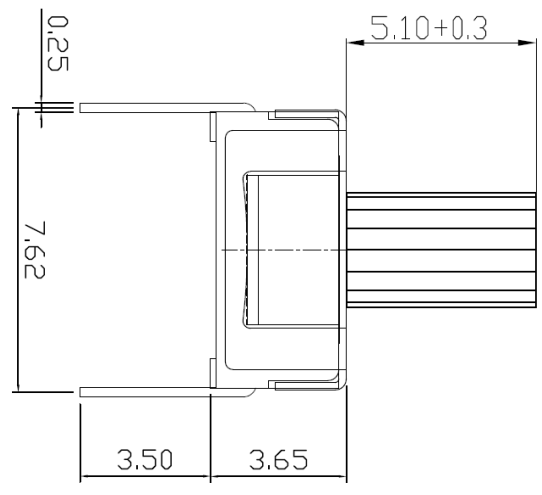
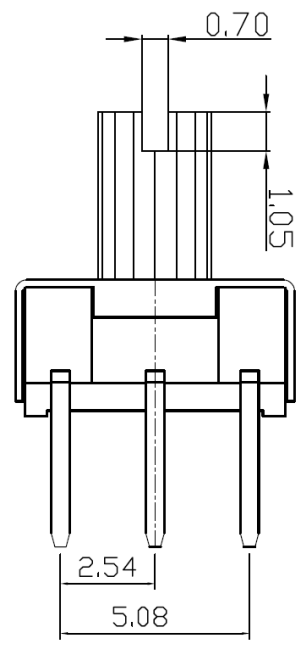
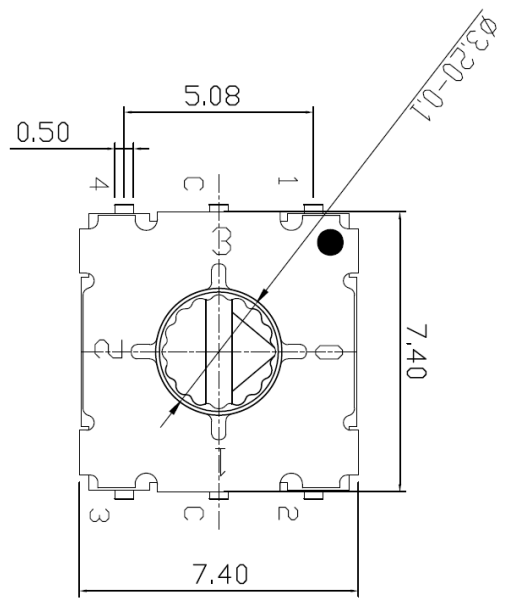
- 规格书 -

产品型号： SKCR-04

产品名称： 旋转编码开关

Add : 江苏省无锡市新吴区弘毅路8号金帛座706室
韩国京畿道富川市三鹊路22号富川科技园103-506栋
TEL : +86-510-8591-9217
E-mail : SMSWITCH@SIMAOKJ.COM
Web : WWW.SIMAOKJ.CN

| | | |
|------|------|---------|
| MARK | DATE | REMARKS |
| △ | | |
| △ | | |



P.C.B. DIMENSION

| | | | |
|------------|---|---|---|
| Real Coded | | | |
| | C | 1 | 2 |
| 0 | ● | | |
| 1 | ● | ● | |
| 2 | ● | | ● |
| 3 | ● | ● | ● |

| | | | | | | |
|---------------------|-------------|---------|------------|-------------------|--------|---------|
| NO. | DESCRIPTION | Q'TY | MATL | SPEC' | FINISH | REMARKS |
| 3ANG | UNIT M/M | SCL. | MODEL NAME | ROTARY DIP SWITCH | | |
| APPD. | CHKD. | D SCD | TITLE | SKCR-04 | | |
| YD WANG | J.S KIM | H.S LEE | DRAWG. NO. | Sheet 1 / 2 | REV | 7 |
| SM SWITCH CO., LTD. | | | | | | |



MINI ROTARY DIP SWITCH SPECIFICATION

Rev. 7
P:1/4

1. Style:

This specification describes "Rotary Switch" mainly used as signal switch of electric devices with the general requirements of mechanical and electrical characteristics.

1.1 Operating / Storage Temperature Range : -40°C ~ +85°C

2. Current Range:

2.1 None-Switching : 400 mA, 42V

2.2 Switching : 150 mA, 42V

3. Type of Actuation : Rotating

4. Test Sequence :

| ELECTRICAL PERFORMANCE | ITEM | DESCRIPTION | TEST CONDITIONS | REQUIREMENTS |
|------------------------|-----------------|--|--|---|
| | 1 | Visual Examination | By visual examination check without any out pressure & testing. | There shall be no defects that affect the serviceability of the product |
| | 2 | Contact Resistance | ① To be measured between the two terminals associated with each switch pole ② Measurements shall be made with a 1kHz shall current contact resistance meter | 80mΩ max.(initial) |
| | 3 | Insulation Resistance | 250V DC, 1minute ±5seconds | 100MΩ min |
| | 4 | Dielectric withstanding Volotage | 250V AC(50Hz or 60Hz)shall be applied between all the adjacent terminal and between the terminal and the frame For 1 minute | There shall be no breakdown or flashover |
| 5 | Operation Force | Applied in the direction of operation  | 120gf ±30gf | |



MINI ROTARY DIP SWITCH SPECIFICATION

Rev. 7
P: 2/4

| | | | | |
|---|---|-----------------------------------|---|---|
| M A C H I N P E R F O R M A N C E | 6 | Operation Life | <p>Measurements shall be made following the test set forth below:</p> <p>1)100mA, 42V DC resistive load 2)Rate of operation: 15~20 cycles/ minute 3)Step of operation: 25,000 steps</p> | <p>1)As shown in item 3,4 2)Contact Resistance: 200mΩ max 3)Final-after test</p> |
| | 7 | Resistance Low Temperature | <p>Following the test set forth below the sample shall be left in normal temperature and humidity conditions for an hour before measurements are made:</p> <p>1)Temperature: -60℃ ±3℃ 2)Time: 96 hours</p> | As shown in item 2~5 |
| | 8 | Resistance High Temperature | <p>Following the test set forth below the sample shall be left in normal temperature and humidity conditions for an hour before measurements are made:</p> <p>1)Temperature: 125℃ ±2℃ 2)Time: 96 hours</p> | <p>1)As shown in item 3~5 2)Contact Resistance: 200mΩ max</p> |
| | 9 | Resistance Humidity | <p>Following the test set forth below the sample shall be left in normal temperature and humidity conditions for an hour before measurements are made:</p> <p>1)Temperature: 40℃ ±2℃ 2)Relative humidity: 90~95% 3)Time: 96 hours</p> | <p>1)As shown in item 4 2)Contact Resistance: 200mΩ max 3)Insulation Resistance: 10MΩ min</p> |



MINI ROTARY DIP SWITCH SPECIFICATION

Rev. 7
P: 3/4

5. Reflow Soldering Conditions:



1) Classification Reflow Profiles

| Profile Feature | Pb-Free Assembly |
|--|---------------------------------|
| Average Ramp-UP Rate(T_s max to T_p) | 3°C/second max |
| Preheat - Temperature Min(T_s min) - Temperature Max(T_s max) - Time (t_s min to t_s max) | 150°C 200°C 60-180seconds |
| Time maintained above: - Temperature (T_L) - Time (t_L) | 217°C 60-150seconds |
| Peak/Classification Temperature(T_p) | 260°C +0°C/ -5°C |
| Time within 5°C of actual Peak Temperature(T_p) | min 30 seconds |
| Ramp-Down Rate | 6°C/sec max |
| Time 25°C to Peak Temperature | 8 minutes max |

6. This item is "ROHS" Compliant



MINI ROTARY DIP SWITCH SPECIFICATION

Rev. 7
P: 4/4

7. Part List

| NO | Part Name | Q'ty | Materials | Treatment | Remark |
|----|--------------|------|-----------------|---------------|---|
| 1 | Cover | 1 | Stainless Steel | | Print |
| 2 | Spring Plate | 1 | Stainless Steel | | |
| 3 | Guide Plate | 1 | Stainless Steel | | |
| 4 | Contact | 1 | Phosphor Bronze | Plating: Gold | Au 0.03 μ m Min Ni 0.1 μ m Min |
| 5 | Terminal | 1 | Phosphor Bronze | Plating: Gold | Au 0.03 μ m Min Ni 0.3 μ m Min |
| 6 | Rotor | 1 | LCP | | |
| 7 | Base | 1 | LCP | | |
| 8 | O-Ring | 1 | Silicone | | |

X-ON Electronics

Largest Supplier of Electrical and Electronic Components

Click to view similar products for [Coded Rotary Switches](#) category:

Click to view products by [SM Switch](#) manufacturer:

Other Similar products are found below :

[PT65503RT](#) [P60AS703](#) [P60A703](#) [P65THR101L254](#) [RTE16](#) [LFTSVTPL](#) [13613](#) [RTAP31S12WFLSP](#) [01-1104](#) [01-1123](#) [01-1234](#) [01-1263](#)
[01-1424](#) [01-1433](#) [07-3153](#) [07-3154](#) [CRD10CM0SBR](#) [DRS4116](#) [RTE1600R44](#) [ERD110RSZ](#) [ERD116CSZ](#) [ERD116RFZ](#) [ERD716M06Z](#)
[94HCB16RAT](#) [94HCB10T](#) [94HBB16WT](#) [94HBB16RAT](#) [94HBB10WT](#) [94HBB10RAT](#) [94HBB08RAT](#) [94HAC10T](#) [94HAB16WT](#)
[94HAB16T](#) [94HAB10WT](#) [94HAB10RAT](#) [94HAB08WT](#) [94HAB08RAT](#) [ERD216RSZ](#) [P65SMT101](#) [P65SMT103](#) [P65THR101L254](#)
[P65THR703L254](#) [ND3FR10P](#) [S-4010TA](#) [94HCB16WT](#) [94HCB16T](#) [94HCB10RAT](#) [94HCB08T](#) [94HBB16T](#) [94HBB10T](#) [94HBB08T](#)
[94HAB16RAT](#)