

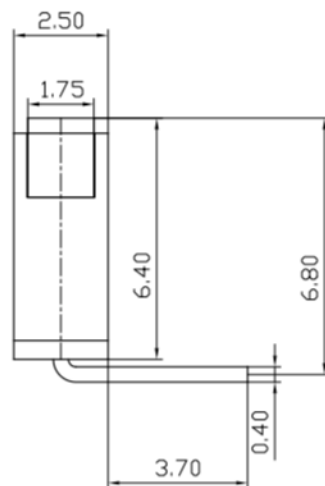
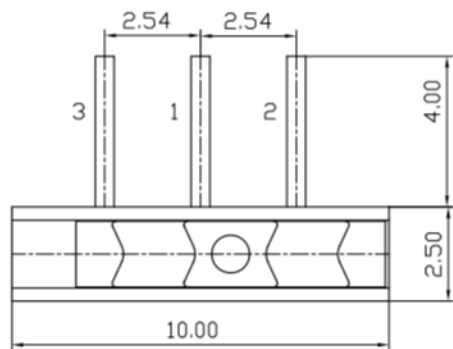
# - 规格书 -

产品型号： SMI -10HDG

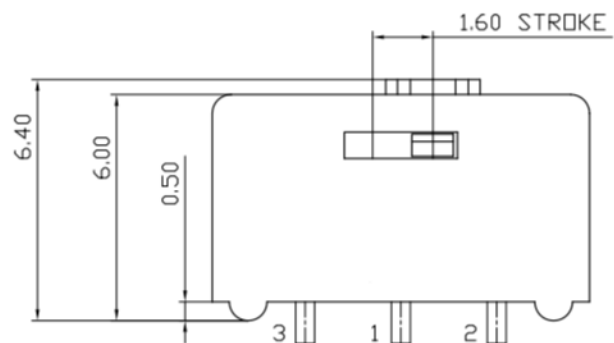
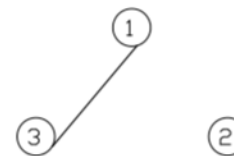
产品名称： 滑动开关

Add : 江苏省无锡市新吴区弘毅路8号金帛座706室  
韩国京畿道富川市三鹊路22号富川科技园103-506栋  
TEL : +86-510-8591-9217  
E-mail : SMSWITCH@SIMAOKJ.COM  
Web : WWW.SIMAOKJ.CN

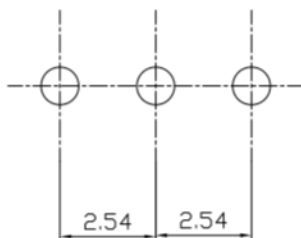
MARK	DATE	REMARKS
△		
△		



CIRCUIT



P.C.B DIMENSION



APPD	CHKD	D'SGD	TITLE.	MINI SLIDE SWITCH	
Y.D WANG	J.S KIM	H.S LEE	MODEL NO.	SMI-10HDG	REV   A
			SM SWITCH CO., LTD.		



# GENERAL SPECIFICATION

Rev. A  
P:1/1

## SMI SERIES

### 1. Electrical Characteristics.

- 1-1. Rating : AC, DC 12V 0.5A ~ 24V 0.3A. (Minimum current : 1mA)
- 1-2. Contact Resistance : Max 30mΩ
- 1-3. Insulation Resistance : Min 10,000MΩ, at dc 500V
- 1-4. Withstanding Voltage : 1min at AC 500V

### 2. Mechanical Characteristics.

- 2-1. operating Force : Max 800gf
- 2-2. Angle of Lever Throw
- 2-3. Insulator
  - 2-3-1. Case : Glass Fiber Reinforce Polyamide (UL94 V-0)
  - 2-3-2. Slide : Glass Fiber Reinforce Polyamide (UL94 V-0)
  - 2-3-3. Spring : Stainless Steel
  - 2-3-4. Contact : Brass
  - 2-3-5. Terminal : Brass
- 2-4. Contact & Terminal : Nickel(Ni 1.0μm) Gold Plate(Au 0.03μm)

### 3. Life Test.

- 3-1. Test Condition : Operations at a rate of 15-20Cycle 1minute
  - 3-1-1. with load : 1,000 Cycles
  - 3-1-2. without load : 1,000 Cycles
- 3-2. Operating Force : With + 10%, -40% of Initial Value
- 3-3. Contact Resistance : Max 30mΩ

### 4. Environmental Characteristics.

- 4-1. Operating Temperature : -40°C to + 85°C
- 4-2. Storage Temperature : -40°C to + 85°C
- 4-3. Humidity Test
  - 4-3-1. Test Conditions : Measured 1Hour After Exposure to Ambient after 96Hour Exposure at 40±2°C, 90-95%R.H
  - 4-3-2. Insulation Resistance : Min 10,000MΩ, at DC 500V
  - 4-3-3. Withstanding Voltage : 1min at AC 500V
- 4-4. Saline Spray Test : 24 hours

### 5. Solder Conditions

- 5-1. Within 5 sec. at 270°C

### 6. RoHS Compliant

## X-ON Electronics

Largest Supplier of Electrical and Electronic Components

*Click to view similar products for [Slide Switches](#) category:*

*Click to view products by [SM Switch](#) manufacturer:*

Other Similar products are found below :

[6-1437581-1](#) [M43R](#) [MHS123K15D](#) [MHS133K](#) [MMD](#) [MSS12A](#) [1825074-1](#) [1825160-3](#) [1825167-2](#) [1825289-7](#) [25139NLDB](#) [25449NAH](#)  
[SLB1240R45](#) [1825078-1](#) [1825080-4](#) [1825269-1](#) [1825270-2](#) [STS141RA04](#) [GH46P000001](#) [GH49P010001](#) [M42A](#) [AYZ0202AG](#)  
[L203091MS02Q](#) [4-1437581-7](#) [48BFSP3M2QT](#) [1101M1S3ZB8E2](#) [1-1437581-1](#) [EG1218REDACTUATOR](#) [MSS2225G04](#) [MSS42G](#)  
[T105S1CWZBE](#) [SLB124145](#) [SLB1280R5](#) [TG39W000050](#) [25149NAH](#) [25439NAH](#) [25436NAH6](#) [TG36Y000050](#) [NK236X693](#) [SL-](#)  
[1211C1B8](#) [46204LRX](#) [1977143-4](#) [1977144-4](#) [HASS0194](#) [JS0001](#) [SSJ12R04](#) [GR5-1323-0800](#) [GH36Y410001](#) [S202041MS04Q](#) [25446NAB](#)