

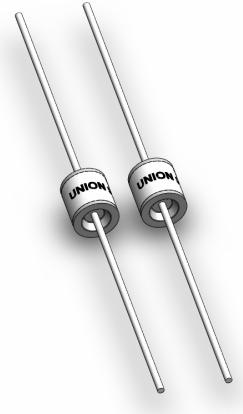
# High Voltage 2-Electrode Gas Discharge Tube (GDT)

## UN2E5 Series

### Description

The high voltage (1.0- 3.5KV) gas discharge tubes are designed for surge protection and high isolation applications, and for applications for which bias voltages or signal levels of several hundred volts are normally present.

UN2E5-XXXDL



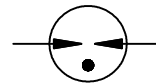
UN2E5-XXXD



### Agency Approvals

- u Non-Radioactive
- u RoHS compliant
- u Low insertion loss
- u Excellent response to fast rising transients
- u Ultra low capacitance
- u 2.5KA surge capability tested with 8/20µs pulse as defined by IEC 61000-4-5

### Schematic Symbol



### Applications

- u CRT terminals
- u CATV equipment
- u Antennas
- u Power supplies
- u Medical electronics

### Product Characteristics

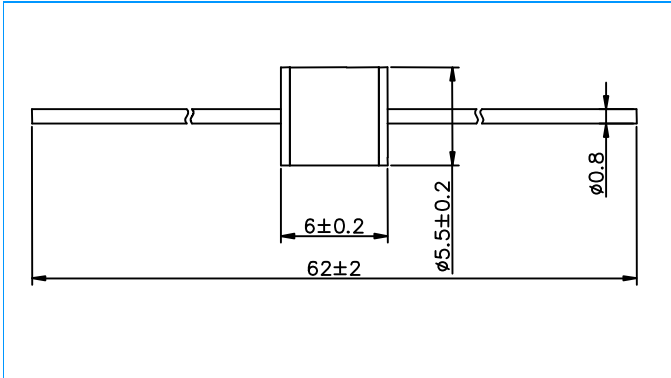
Materials	Nickel-plated with Tinplated wires	
Product Marking	<b>UNION XXXXD</b> XXXX -Nominal voltage D -2.5KA	
Glow to Arc Transition Current	< 0.5Amps	
Glow Voltage	~180 Volts	
Storage and Operational Temperature	-40 to +90°C	
Weight	UN2E5-XXXDL	~1.0g
	UN2E5-XXXD	~0.85g
Climatic category (IEC 60068-1)	40/ 90/ 21	

# High Voltage 2-Electrode Gas Discharge Tube (GDT)

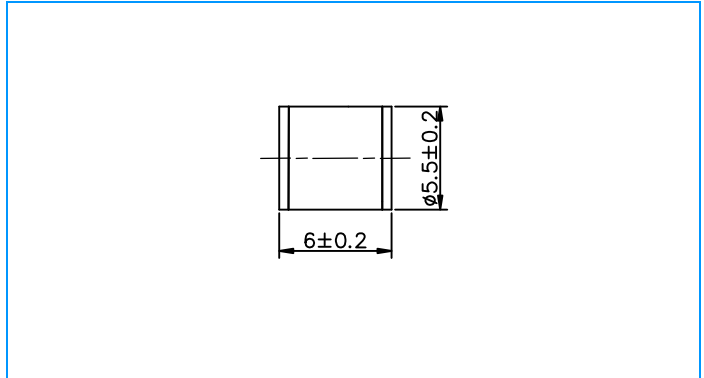
## UN2E5 Series

### Dimensions (Unit: mm)

**Axial Leaded Devices (UN2E5-XXXDL)**



**Without wire Devices (UN2E5-XXXD)**



### Electrical Characteristics

Part Number	Marking	DC Spark-over Voltage	Maximum Impulse Spark-over Voltage		Minimum Insulation Resistance	Maximum Capacitance	Arc Voltage	Service Life	
			@100V/μs	@1KV/μs				Nominal Impulse Discharge Current	Max Impulse Discharge Current
			@100V/S	@1KV/μs				@8/20μs ±5 times	@8/20μs 1 time
UN2E5-1000DL UN2E5-1000D	1000D	1000V±20%	<1500V	<1600V	1 GΩ (at 100V)	<1.0pF	~25V	2.5KA	5KA
UN2E5-1600DL UN2E5-1600D	1600D	1600V±20%	<2200V	<2400V	1 GΩ (at 100V)	<1.0pF	~25V	2.5KA	5KA
UN2E5-2000DL UN2E5-2000D	2000D	2000V±20%	<3000V	<3500V	1 GΩ (at 100V)	<1.0pF	~25V	2.5KA	5KA
UN2E5-2500DL UN2E5-2500D	2500D	2500V±20%	<3800V	<4000V	1 GΩ (at 100V)	<1.0pF	~25V	2.5KA	5KA
UN2E5-2700DL UN2E5-2700D	2700D	2700V±20%	<3800V	<4000V	1 GΩ (at 100V)	<1.0pF	~25V	2.5KA	5KA
UN2E5-3000DL UN2E5-3000D	3000D	3000V±20%	<4300V	<4500V	1 GΩ (at 100V)	<1.0pF	~25V	2.5KA	5KA
UN2E5-3500DL UN2E5-3500D	3500D	3500V±20%	<4800V	<5000V	1 GΩ (at 100V)	<1.0pF	~25V	2.5KA	5KA

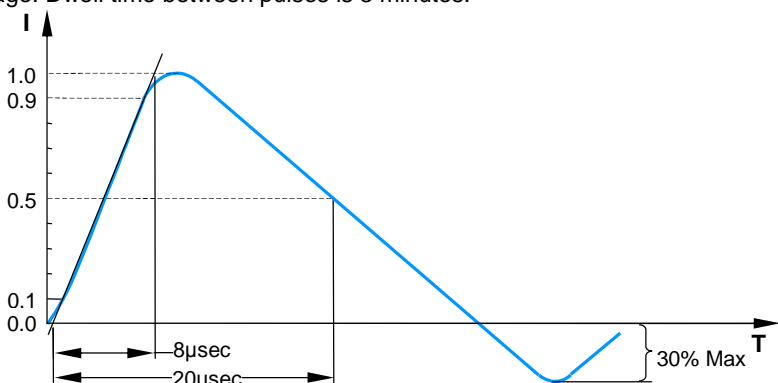
**Notes:**

- 1). Terms in accordance with ITU-T K.12 and GB/T 9043-2008
- 2). At delivery AQL 0.65 level II, DIN ISO 2859

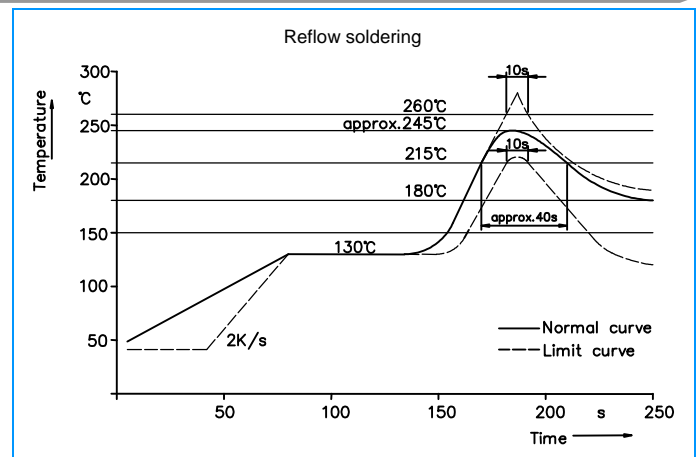
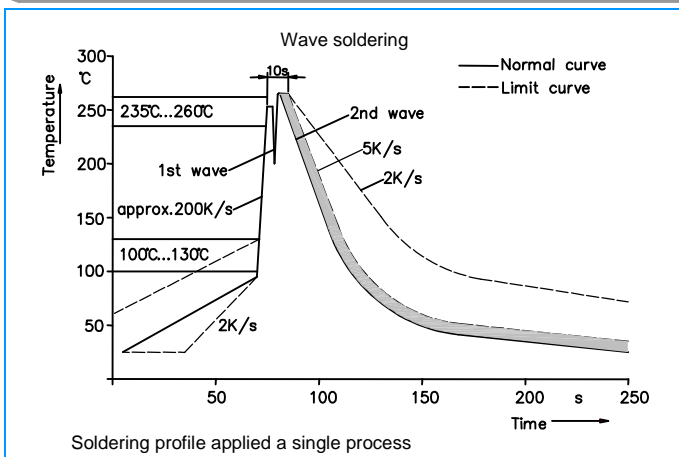
# High Voltage 2-Electrode Gas Discharge Tube (GDT)

## UN2E5 Series

### Electrical Rating

Item	Test Condition / Description	Requirement
<b>DC Spark-over Voltage</b>	The voltage is measured with a slowly rate of rise $dv / dt=100V/s$	To meet the specified value
<b>Impulse Spark-over Voltage</b>	The maximum impulse spark-over voltage is measured with a rise time of $dv / dt=100V/\mu s$ or $1KV/\mu s$	
<b>Insulation Resistance</b>	The resistance of gas tube shall be measured each terminal each other terminal, please see above spec.	
<b>Capacitance</b>	The capacitance of gas tube shall be measured each terminal to each other terminal. Test frequency :1MHz	
<b>Nominal Impulse Discharge Current</b>	The maximum current applying a waveform of 8/20 $\mu s$ that can be applied across the terminals of the gas tube. One hour after the test is completed, re-testing of the DC spark-over voltage does not exceed $\pm 30\%$ of the nominal DC spark-over voltage. Dwell time between pulses is 3 minutes. 	

### Recommended soldering profile



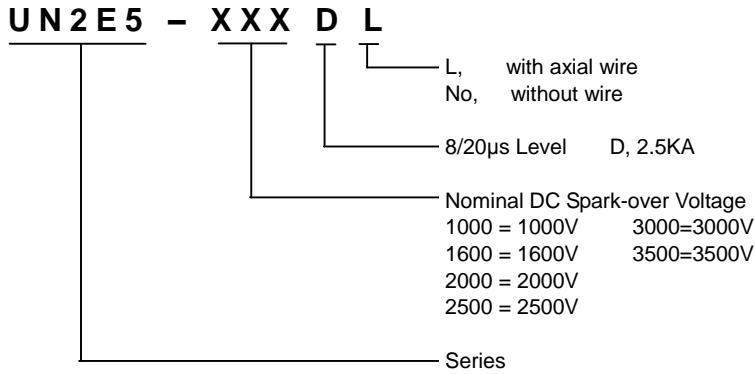
### Soldering Parameters - Hand Soldering

Solder Iron Temperature: 350°C  $\pm 5^\circ C$   
 Heating Time: 5 seconds max.

# High Voltage 2-Electrode Gas Discharge Tube (GDT)

## UN2E5 Series

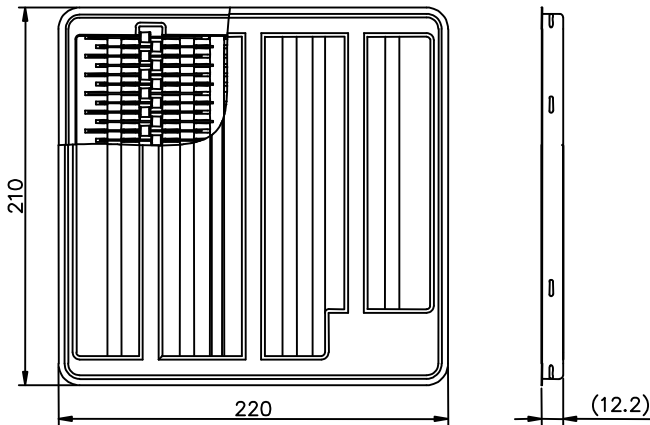
### Part Numbering



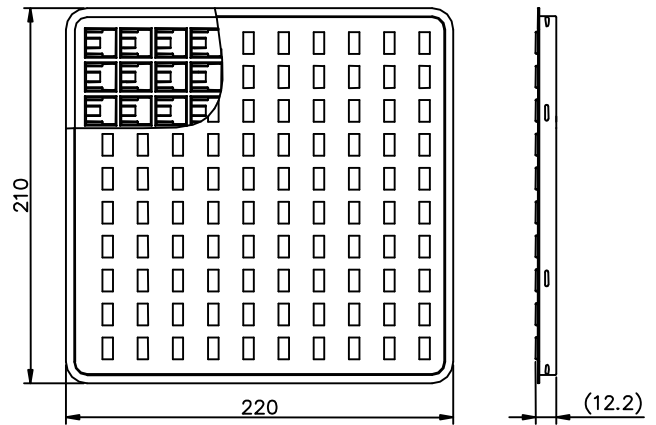
### Packaging Information Unit: mm

Part Number	Description	Quantity
UN2E5-XXXDL	100PCS per Tray, 10 Trays / Inner Carton	1000
UN2E5-XXXD	100PCS per Tray, 10 Trays / Inner Carton	1000

Tray used in UN2E5-XXXDL



Tray used in UN2E5-XXXD



### Cautions and warnings

- Gas discharge tubes (GDT) must not be operated directly in power supply networks.
- Gas discharge tubes (GDT) may become hot in case of longer periods of current stress (danger of burning).
- Gas discharge tubes (GDT) may be used only within their specified values. In the event of overload, the head contacts may fail or the component may be destroyed.
- Damaged Gas discharge tubes (GDT) must not be re-used.

## X-ON Electronics

Largest Supplier of Electrical and Electronic Components

*Click to view similar products for [Gas Discharge Tubes - GDTs / Gas Plasma Arrestors](#) category:*

*Click to view products by [SOCAY](#) manufacturer:*

Other Similar products are found below :

[M51-A90X](#) [PMT1023004](#) [PMT1040004](#) [CG2800](#) [GTCR37-231M-R10](#) [WPGT-2N145B6L](#) [WPGT-2N230B6L](#) [WPGT-2N470B6L](#) [WPGT-2RM230A6L](#) [WPGT-2RM350A6L](#) [WPGT-2RM70A6L](#) [WPGT-2RM90A6L](#) [WPGT-2S145](#) [WPGT-2S350](#) [WPGT-2S470](#) [WPGT-3R350CF](#) [WPGT-3R350G1](#) [WPGT-3R90G1](#) [WPGT-3R75G1](#) [WPGT-3R470G1](#) [WPGT-3R250C](#) [WPGT-3R230G1](#) [WPGT-2S230](#) [WPGT-2RM145A6L](#) [WPGT-2R1000B8L](#) [WPGT-2N70B6L](#) [WPGT-2N350B6L](#) [WPGT-2N230B6L1](#) [CG2145](#) [T61-C350X](#) [9071.99.0547 \(73\\_Z-0-0-547\)](#) [B88069X6940B152](#) [RF1219-000](#) [A9L16618](#) [RF2339-000](#) [9071.99.0052\(73\\_Z-0-0-52\)](#) [9071.99.0054](#) [CG32.7L](#) [CG6400SM](#) [CG6470SM](#) [CG7250MS](#) [CG7400MS](#) [SPBT12-280/1](#) [SPCT2-280/3](#) [SPCT2-280/4](#) [T2 20KA 4P](#) [2003-09-SM-RPLF](#) [2026-07-A1](#) [2026-25-C3](#) [2039-80-BLF](#)