

## 2-Electrode Gas Discharge Tube (GDT)

### UN2E8 Series

#### Description

Gas discharge Tubes (GDT) are classical components for protecting the installations of the telecommunications. It is essential that IT and telecommunications systems -with their high-grade but sensitive electronic circuits - be protected by arresters. They are thus fitted at the input of the power supply system together with varistors and at the connection points to telecommunication lines. They have become equally indispensable for protecting base stations in mobile telephone systems as well as extensive cable television (CATV) networks with their repeaters and distribution systems.

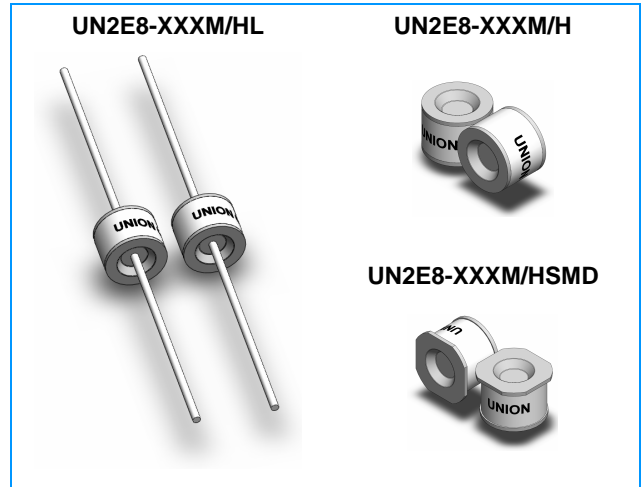
These protective components are also indispensable in other sectors, In AC power transmission systems, they are often used with current-limiting varistors, In customer premises equipment such as DSL modems, WLAN routers, TV sets and cable modems In air-conditioning equipment, the integral black-box concept offers graduated protection by combining arresters with varistors, PTC, diodes and inductor.

#### Features

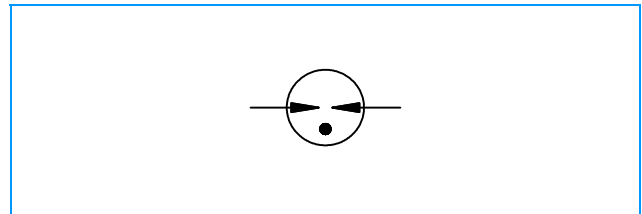
- u Non-Radioactive
- u RoHS compliant
- u High insulation resistance
- u Excellent response to fast rising transients
- u Ultra low capacitance
- u 10~20KA surge capability tested with 8/20µs pulse as defined by IEC 61000-4-5

#### Applications


- u Communication lines and equipment
- u CATV equipment
- u Test equipment
- u Data lines
- u Power supplies
- u Instrumentation circuits
- u Medical electronics
- u ADSL equipment
- u Telecom SLIC protection



#### Schematic Symbol



#### Agency Approvals

| AGENCY   | AGENCY FILE NUMBER |
|--|--------------------|
|  | E341061            |

#### Product Characteristics

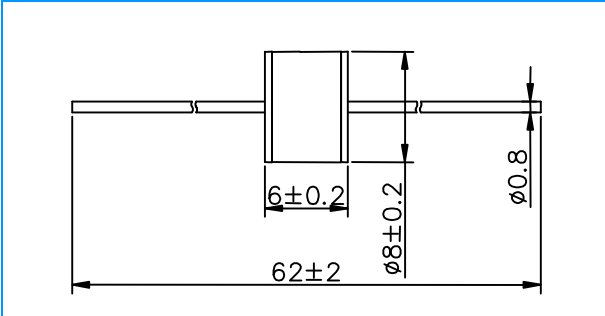
|  |  |        |
|--|--|--------|
| <b>Materials</b>                           | <b>Leaded Device:</b> Nickel-plated with Tinned wires<br><b>Surface Mount:</b> Dull Tin-plated |        |
| <b>Product Marking</b>                     | <b>UNION XXXM/H</b><br>XXX -Nominal voltage<br>M - 10KA<br>H - 20KA                            |        |
| <b>Glow to Arc Transition Current</b>      | < 0.5 Amps   |        |
| <b>Glow Voltage</b>                        | ~60 Volts  |        |
| <b>Storage and Operational Temperature</b> | -40 to +90°C   |        |
| <b>Weight</b>                              | <b>UN2E8-XXXML</b>   | ~1.5g  |
|  | <b>UN2E8-XXXHL</b>   | ~1.6g  |
|  | <b>UN2E8-XXXM/H</b>  | ~1.35g |
|  | <b>UN2E8-XXXM/HSMD</b>   | ~1.5g  |
| <b>Climatic category (IEC 60068-1)</b>     | 40/ 90/ 21   |        |

## 2-Electrode Gas Discharge Tube (GDT)

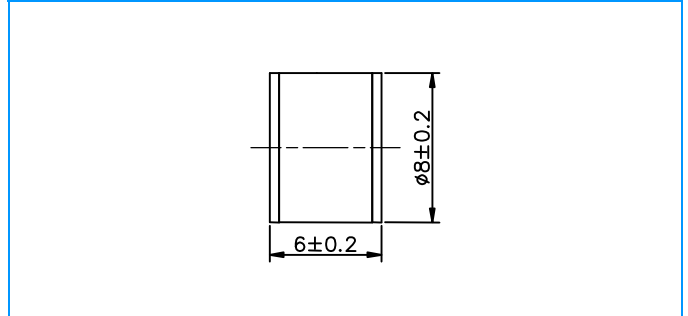
### UN2E8 Series

Dimensions Unit: mm

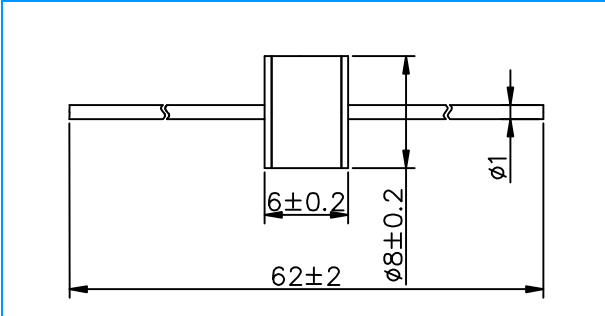
#### Axial Leaded Devices (UN2E8-XXXML)



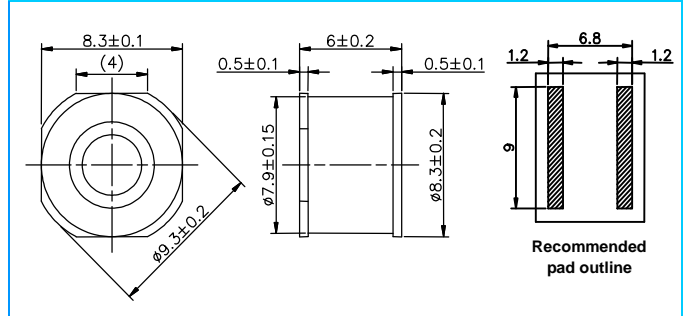
#### Without wire Devices (UN2E8-XXXM/H)



#### Axial Leaded Devices (UN2E8-XXXHL)



#### Surface Mount Devices (UN2E8-XXXM/HSMD)



### Electrical Characteristics

| Part Number                                | Marking | DC Spark-over Voltage | Maximum Impulse Spark-over Voltage |         | Minimum Insulation Resistance | Maximum Capacitance | Arc Voltage | Service Life                      |                               |                                   |              |
|--|---------|-----------------------|------------------------------------|---------|-------------------------------|---------------------|-------------|-----------------------------------|-------------------------------|-----------------------------------|--------------|
|  |         |                       | @100V/µs                           | @1KV/µs |                               |                     |             | Nominal Impulse Discharge Current | Max Impulse Discharge Current | Nominal Impulse Discharge Current | Impulse Life |
|  |         |                       |                                    |         |                               |                     |             |                                   |                               |                                   |              |
| UN2E8-75M<br>UN2E8-75ML<br>UN2E8-75MSMD    | 75M     | 75V±20%               | <500V                              | <600V   | 1 GΩ (at 25V)                 | <1.5pF              | ~15V        | 10KA                              | 20KA                          | 10A                               | 100A         |
| UN2E8-90M<br>UN2E8-90ML<br>UN2E8-90MSMD    | 90M     | 90V±20%               | <500V                              | <600V   | 1 GΩ (at 50V)                 | <1.5pF              | ~15V        | 10KA                              | 20KA                          | 10A                               | 100A         |
| UN2E8-150M<br>UN2E8-150ML<br>UN2E8-150MSMD | 150M    | 150V±20%              | <500V                              | <600V   | 1 GΩ (at 50V)                 | <1.5pF              | ~20V        | 10KA                              | 20KA                          | 10A                               | 100A         |
| UN2E8-230M<br>UN2E8-230ML<br>UN2E8-230MSMD | 230M    | 230V±20%              | <600V                              | <700V   | 1 GΩ (at 100V)                | <1.5pF              | ~20V        | 10KA                              | 20KA                          | 10A                               | 100A         |
| UN2E8-250M<br>UN2E8-250ML<br>UN2E8-250MSMD | 250M    | 250V±20%              | <700V                              | <800V   | 1 GΩ (at 100V)                | <1.5pF              | ~20V        | 10KA                              | 20KA                          | 10A                               | 100A         |
| UN2E8-300M<br>UN2E8-300ML<br>UN2E8-300MSMD | 300M    | 300V±20%              | <800V                              | <900V   | 1 GΩ (at 100V)                | <1.5pF              | ~20V        | 10KA                              | 20KA                          | 10A                               | 100A         |
| UN2E8-350M<br>UN2E8-350ML<br>UN2E8-350MSMD | 350M    | 350V±20%              | <800V                              | <900V   | 1 GΩ (at 100V)                | <1.5pF              | ~20V        | 10KA                              | 20KA                          | 10A                               | 100A         |

## 2-Electrode Gas Discharge Tube (GDT)

### UN2E8 Series

#### Electrical Characteristics (Continue)

| Part Number                                | Marking | DC Spark-over Voltage | Maximum Impulse Spark-over Voltage |        | Minimum Insulation Resistance | Maximum Capacitance | Arc Voltage | Service Life                      |                               |                                       |                            |
|--|---------|-----------------------|------------------------------------|--------|-------------------------------|---------------------|-------------|-----------------------------------|-------------------------------|---------------------------------------|----------------------------|
|  |         |                       |                                    |        |                               |                     |             | Nominal Impulse Discharge Current | Max Impulse Discharge Current | Nominal Alternating Discharge Current | Impulse Life               |
|  |         |                       |                                    |        |                               |                     |             | @8/20 $\mu$ s $\pm$ 5 times       | @8/20 $\mu$ s 1 time          | @50Hz 1 Sec 10 times                  | @10/1000 $\mu$ s 300 times |
| UN2E8-420M<br>UN2E8-420ML<br>UN2E8-420MSMD | 420M    | 420V $\pm$ 20%        | <900V                              | <1000V | 1 G $\Omega$<br>(at 100V)     | <1.5pF              | ~20V        | 10KA                              | 20KA                          | 10A                                   | 100A                       |
| UN2E8-470M<br>UN2E8-470ML<br>UN2E8-470MSMD | 470M    | 470V $\pm$ 20%        | <900V                              | <1000V | 1 G $\Omega$<br>(at 100V)     | <1.5pF              | ~20V        | 10KA                              | 20KA                          | 10A                                   | 100A                       |
| UN2E8-600M<br>UN2E8-600ML<br>UN2E8-600MSMD | 600M    | 600V $\pm$ 20%        | <1100V                             | <1200V | 1 G $\Omega$<br>(at 100V)     | <1.5pF              | ~20V        | 10KA                              | 20KA                          | 10A                                   | 100A                       |
| UN2E8-800M<br>UN2E8-800ML<br>UN2E8-800MSMD | 800M    | 800V $\pm$ 20%        | <1200V                             | <1400V | 1 G $\Omega$<br>(at 100V)     | <1.5pF              | ~20V        | 10KA                              | 20KA                          | 10A                                   | 100A                       |
| UN2E8-75H<br>UN2E8-75HL<br>UN2E8-75HSMD    | 75H     | 75V $\pm$ 20%         | <500V                              | <600V  | 1 G $\Omega$<br>(at 25V)      | <1.5pF              | ~15V        | 20KA                              | 25KA                          | 20A                                   | 200A                       |
| UN2E8-90H<br>UN2E8-90HL<br>UN2E8-90HSMD    | 90H     | 90V $\pm$ 20%         | <500V                              | <600V  | 1 G $\Omega$<br>(at 50V)      | <1.5pF              | ~15V        | 20KA                              | 25KA                          | 20A                                   | 200A                       |
| UN2E8-150H<br>UN2E8-150HL<br>UN2E8-150HSMD | 150H    | 150V $\pm$ 20%        | <500V                              | <600V  | 1 G $\Omega$<br>(at 50V)      | <1.5pF              | ~20V        | 20KA                              | 25KA                          | 20A                                   | 200A                       |
| UN2E8-230H<br>UN2E8-230HL<br>UN2E8-230HSMD | 230H    | 230V $\pm$ 20%        | <600V                              | <700V  | 1 G $\Omega$<br>(at 100V)     | <1.5pF              | ~20V        | 20KA                              | 25KA                          | 20A                                   | 200A                       |
| UN2E8-250H<br>UN2E8-250HL<br>UN2E8-250HSMD | 250H    | 250V $\pm$ 20%        | <700V                              | <800V  | 1 G $\Omega$<br>(at 100V)     | <1.5pF              | ~20V        | 20KA                              | 25KA                          | 20A                                   | 200A                       |
| UN2E8-300H<br>UN2E8-300HL<br>UN2E8-300HSMD | 300H    | 300V $\pm$ 20%        | <800V                              | <900V  | 1 G $\Omega$<br>(at 100V)     | <1.5pF              | ~20V        | 20KA                              | 25KA                          | 20A                                   | 200A                       |
| UN2E8-350H<br>UN2E8-350HL<br>UN2E8-350HSMD | 350H    | 350V $\pm$ 20%        | <800V                              | <900V  | 1 G $\Omega$<br>(at 100V)     | <1.5pF              | ~20V        | 20KA                              | 25KA                          | 20A                                   | 200A                       |
| UN2E8-420H<br>UN2E8-420HL<br>UN2E8-420HSMD | 420H    | 420V $\pm$ 20%        | <900V                              | <1000V | 1 G $\Omega$<br>(at 100V)     | <1.5pF              | ~20V        | 20KA                              | 25KA                          | 20A                                   | 200A                       |
| UN2E8-470H<br>UN2E8-470HL<br>UN2E8-470HSMD | 470H    | 470V $\pm$ 20%        | <900V                              | <1000V | 1 G $\Omega$<br>(at 100V)     | <1.5pF              | ~20V        | 20KA                              | 25KA                          | 20A                                   | 200A                       |
| UN2E8-600H<br>UN2E8-600HL<br>UN2E8-600HSMD | 600H    | 600V $\pm$ 20%        | <1100V                             | <1200V | 1 G $\Omega$<br>(at 100V)     | <1.5pF              | ~20V        | 20KA                              | 25KA                          | 20A                                   | 200A                       |
| UN2E8-800H<br>UN2E8-800HL<br>UN2E8-800HSMD | 800H    | 800V $\pm$ 20%        | <1200V                             | <1400V | 1 G $\Omega$<br>(at 100V)     | <1.5pF              | ~20V        | 20KA                              | 25KA                          | 20A                                   | 200A                       |

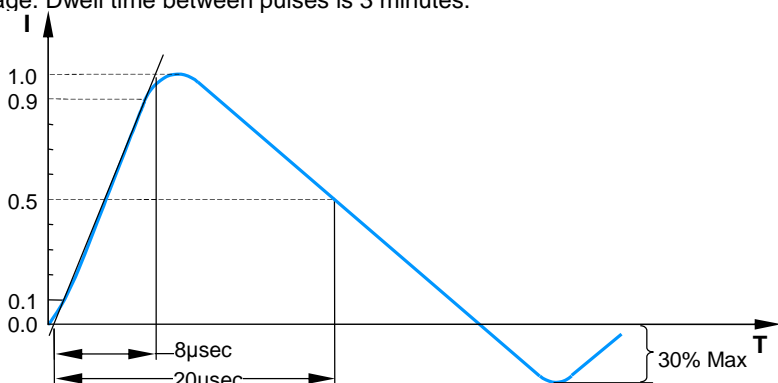
**Notes:**

- 1). Terms in accordance with ITU-T K.12 and GB/T 9043-2008
- 2). At delivery AQL 0.65 level II, DIN ISO 2859

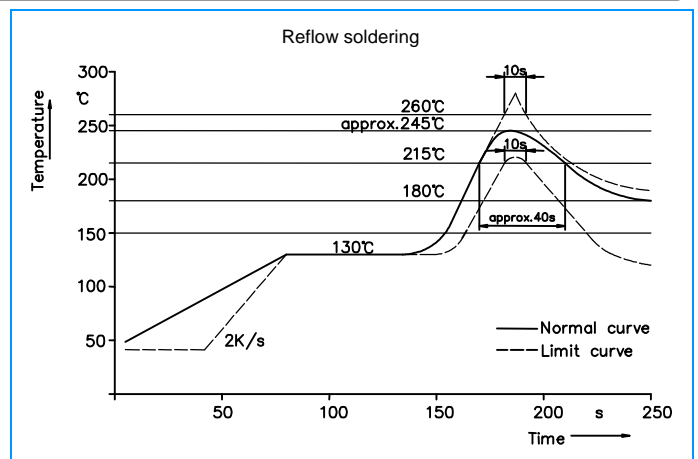
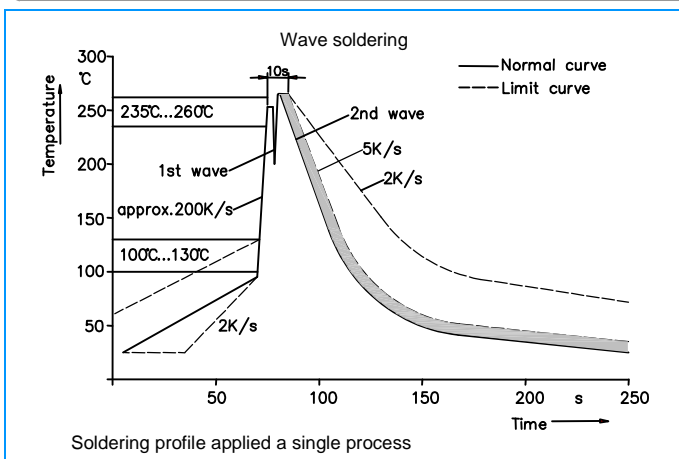
# 2-Electrode Gas Discharge Tube (GDT)

## UN2E8 Series

### Electrical Rating

| Item   | Test Condition / Description  | Requirement                 |
|--|---|-----------------------------|
| <b>DC Spark-over Voltage</b>                 | The voltage is measured with a slowly rate of rise $dv / dt=100V/s$   | To meet the specified value |
| <b>Impulse Spark-over Voltage</b>            | The maximum impulse spark-over voltage is measured with a rise time of $dv / dt=100V/\mu s$ or $1KV/\mu s$  |                             |
| <b>Insulation Resistance</b>                 | The resistance of gas tube shall be measured each terminal each other terminal, please see above spec.  |                             |
| <b>Capacitance</b>                           | The capacitance of gas tube shall be measured each terminal to each other terminal.<br>Test frequency :1MHz   |                             |
| <b>Nominal Impulse Discharge Current</b>     | The maximum current applying a waveform of 8/20 $\mu s$ that can be applied across the terminals of the gas tube. One hour after the test is completed, re-testing of the DC spark-over voltage does not exceed $\pm 30\%$ of the nominal DC spark-over voltage. Dwell time between pulses is 3 minutes.<br> |                             |
| <b>Nominal Alternating Discharge Current</b> | Rated RMS value of AC current at 50Hz, 1 sec. 10 times. Intervals: 3min. The DC spark-over voltage does not exceed $\pm 30\%$ of the nominal DC spark-over voltage.<br>$IR > 10^8 ohms$ .   |                             |

### Recommended soldering profile



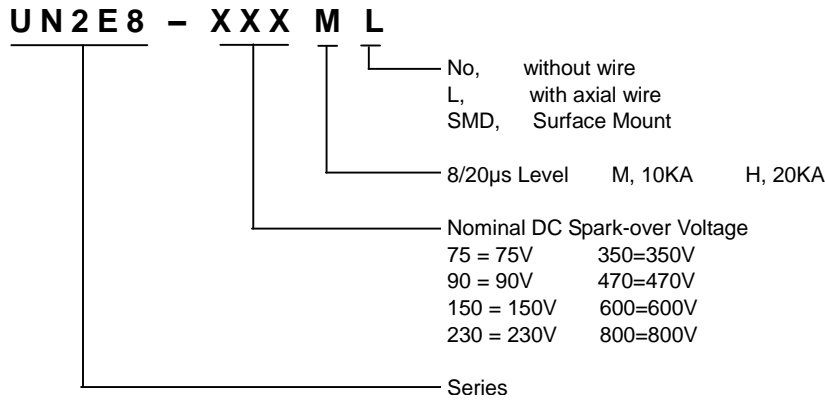
### Soldering Parameters - Hand Soldering

Solder Iron Temperature: 350°C  $\pm 5^\circ C$   
 Heating Time: 5 seconds max.

## 2-Electrode Gas Discharge Tube (GDT)

### UN2E8 Series

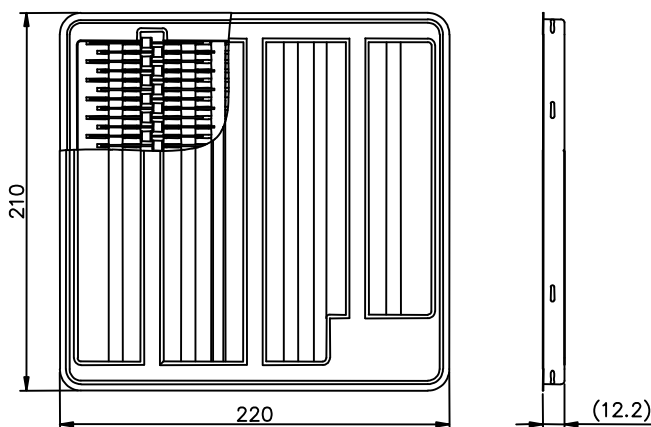
#### Part Numbering



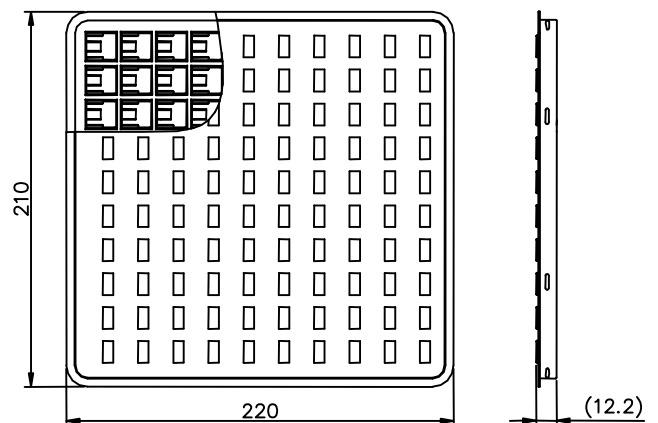
#### Packaging Information    Unit: mm

| Part Number                  | Description                              | Quantity |
|------------------------------|--|----------|
| UN2E8-XXXM / UN2E8XXXH       | 100PCS per Tray, 10 Trays / Inner Carton | 1000     |
| UN2E8-XXXML / UN2E8XXXHL     | 100PCS per Tray, 10 Trays / Inner Carton | 1000     |
| UN2E8-XXXMSMD / UN2E8XXXHSMD | 100PCS per Tray, 10 Trays / Inner Carton | 1000     |
|                              | Tape & Reel -16mm tape/13"Reel           | 500      |

Tray used in UN2E8-XXXML / UN2E8-XXXHL



Tray used in UN2E8-XXXM / UN2E8-XXXH / UN2E8-XXXSMD

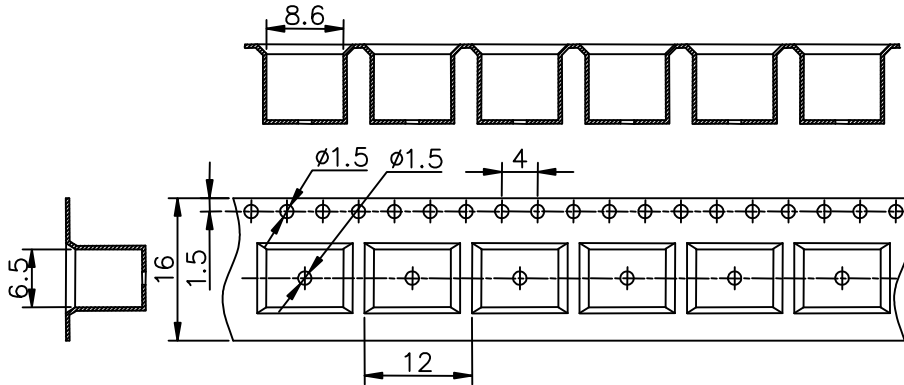


## 2-Electrode Gas Discharge Tube (GDT)

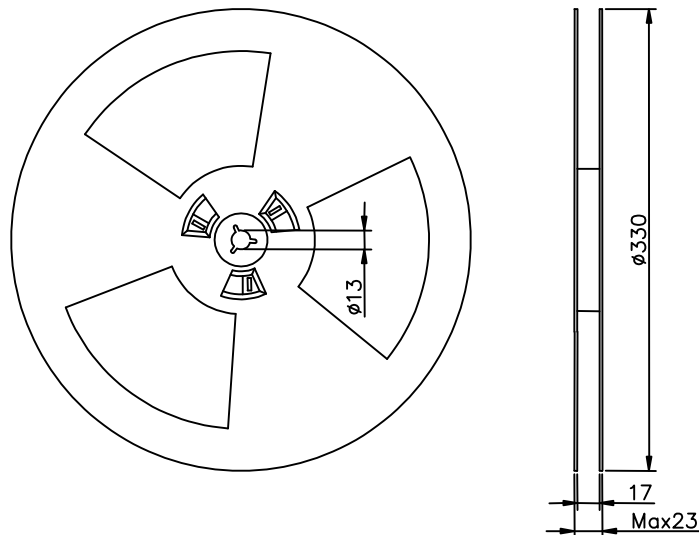
### UN2E8 Series

#### Tape and Reel Dimensions Unit: mm

Tape Used in UN2E8-XXXMSMD /UN2E8-XXXHSMD



Reel



#### Packaging Information (Continue) Unit: mm

- u Gas discharge tubes (GDT) must not be operated directly in power supply networks.
- u Gas discharge tubes (GDT) may become hot in case of longer periods of current stress (danger of burning).
- u Gas discharge tubes (GDT) may be used only within their specified values. In the event of overload, the head contacts may fail or the component may be destroyed.
- u Damaged Gas discharge tubes (GDT) must not be re-used.

## X-ON Electronics

Largest Supplier of Electrical and Electronic Components

*Click to view similar products for [Gas Discharge Tubes - GDTs / Gas Plasma Arrestors](#) category:*

*Click to view products by [SOCAY](#) manufacturer:*

Other Similar products are found below :

[M51-A90X](#) [PMT1023004](#) [PMT1040004](#) [CG2800](#) [GTCR37-231M-R10](#) [WPGT-2N145B6L](#) [WPGT-2N230B6L](#) [WPGT-2N470B6L](#) [WPGT-2RM230A6L](#) [WPGT-2RM350A6L](#) [WPGT-2RM70A6L](#) [WPGT-2RM90A6L](#) [WPGT-2S145](#) [WPGT-2S350](#) [WPGT-2S470](#) [WPGT-3R350CF](#) [WPGT-3R350G1](#) [WPGT-3R90G1](#) [WPGT-3R75G1](#) [WPGT-3R470G1](#) [WPGT-3R250C](#) [WPGT-3R230G1](#) [WPGT-2S230](#) [WPGT-2RM145A6L](#) [WPGT-2R1000B8L](#) [WPGT-2N70B6L](#) [WPGT-2N350B6L](#) [WPGT-2N230B6L1](#) [CG2145](#) [T61-C350X](#) [9071.99.0547 \(73\\_Z-0-0-547\)](#) [B88069X6940B152](#) [RF1219-000](#) [A9L16618](#) [RF2339-000](#) [9071.99.0052\(73\\_Z-0-0-52\)](#) [9071.99.0054](#) [CG32.7L](#) [CG6400SM](#) [CG6470SM](#) [CG7250MS](#) [CG7400MS](#) [SPBT12-280/1](#) [SPCT2-280/3](#) [SPCT2-280/4](#) [T2 20KA 4P](#) [2003-09-SM-RPLF](#) [2026-07-A1](#) [2026-25-C3](#) [2039-80-BLF](#)