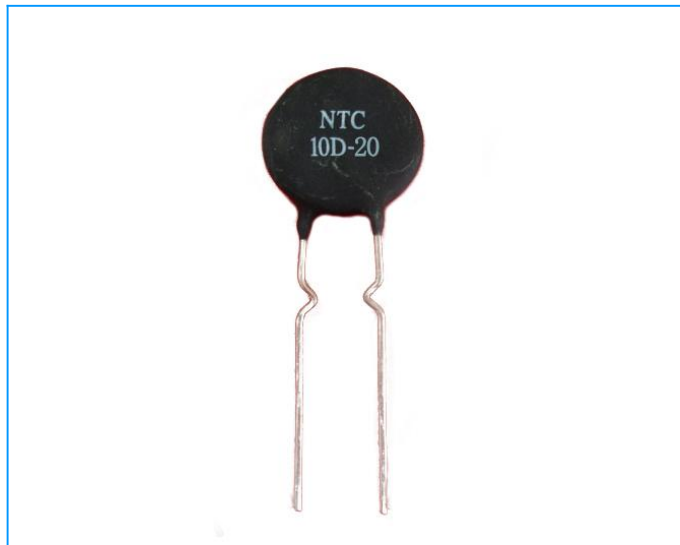


Surge-Arrestor Negative Temperature Coefficient Thermistor

SCNxxD-20 Series

Outline

This is a Negative Temperature Coefficient Resistor whose resistance changes with ambient temperature changes. Thermistor comprises 2 or 4 kinds of metal oxides of iron, nickel, cobalt, manganese and copper, being shaped and sintered at high temperature (1200 °C to 1500 °C).



Features

- ◆ Small in size, high-powered, and very capable of bringing down the surge current;
- ◆ Quick in reaction;
- ◆ High in B value and low in residual current; Long service life and high reliability; High coefficient of safety and wide range of application.

Applications

Conversion power supply, switch power, UPS power, Kinds of electric heater, electronic energy-saving lamps, electronic ballast etc all kinds of power circuit protection of electronic equipments, filament protection of CRT, bulb and other lighting lamps.

Part Number Code

SCN	10	D - 20
(1)	(2)	(3)

- (1) SCN: Socay Negative Temperature Coefficient Resistor.
(2) 10: Resistance Value: 10Ω.
(3) D-20: Diameter of Chip: Φ20.

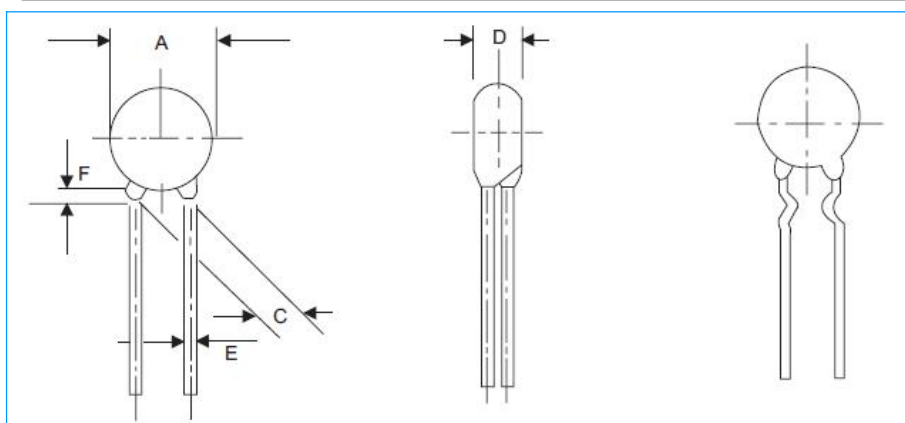
Surge-Arrestor Negative Temperature Coefficient Thermistor

SCNxxD-20 Series

Electrical Characteristics

Part Number	R25°C ±20%	Max Steady Current	Approx R Of Max Current	Power Dissipation Coefficient	Time Constant
	(Ω)	(A)	(Ω)	(mW/°C)	(s)
SCN3D-20	3	8	0.079	24	100
SCN5D-20	5	7	0.106	23	87
SCN8D-20	8	6	0.157	23	105
SCN10D-20	10	6	0.194	23	118
SCN16D-20	16	5	0.236	25	113

Dimensions (Unit: mm)



Type	D-20
A_{MAX}	22
C ± 1	7.5/10
D_{MAX}	7
E ± 0.05	1.0
F_{MAX}	3

Note: "E" value may be 0.6 for resistors for which the chip's diameter is ≤ 13 and the working current is ≤ 2A.

Critical Technical Parameters of NTC Thermistor

◆ **R_t**---Resistance Value at Zero-power

It's a resistance which is got at a fixed temperature on a basis of a testing power which causes resistance to Vary in a range which can be ignored in relation to the total testing error.

◆ **R₂₅**---Resistance Value at Rated Zero-power

The design resistance of the thermistor usually refers to the resistance value got at Zero-power at 25 °C , which is usually indicated on the thermistor.

◆ **B Value**

B value stands for the thermal exponent at a negative temperature coefficient. It's defined as a ratio of the balance between the natural logarithms of resistance values at zero-power to the balance between the reciprocals of the two temperatures. The formula is as below:

$$B = \ln \frac{R_{T1}}{R_{T2}} / \left(\frac{1}{T_1} - \frac{1}{T_2} \right) \approx \frac{T_1 T_2}{T_2 - T_1} \ln \frac{R_{T1}}{R_{T2}}$$

Surge-Arrestor Negative Temperature Coefficient Thermistor

SCNxxD-20 Series

Critical Technical Parameters of NTC Thermistor (Continue)

In this formula: R_{T1} is the resistance at Zero-power when the temperature is T_1 , R_{T2} is the resistance at Zero-power when the temperature is T_2 . Unless otherwise specified, B value is got by calculating the Zero-power resistances at 25°C (298.15K) and 50 °C (323.15K). It's not a firm constant within the range of working temperature.

Resistance-to-Temperature Coefficient at Zero-power. It refers to the ratio of changes of a thermistor. Resistance value at Zero-power when The temperature, to the resistance value at Zero-power. The formula is as below:

$$\alpha_T = \frac{1}{R_T} \frac{DR_T}{DT} = - \frac{B}{T^2}$$

In this formula, " α " stands for the resistance-temperature coefficient at Zero-power when the temperature is T:

R_T stands for the resistance value at Zero-power when the temperature is T.

T stands for the temperature (in K).

B stands for B value.

◆ Max steady state current.

The maximum allowable continuous current passing through thermistor at 25°C.

◆ Dissipation Coefficient δ

It's the ratio of the changes with a thermistor dissipation power, in a pre-set ambient temperature, to the changes with the temperature. The formula is as below: $\delta = \Delta P / \Delta T$. δ changes in response when the ambient temperature changes, within the ranges of the working temperature.

◆ Thermal Time Constant

At Zero-power and when a mutation occurs with the temperature, the time "t", which is spent for finishing 63.2% of the gap between the beginning temperature and the ending temperature in the thermistor, is directly proportional to "C", the heat capacity of the thermistor, and is inversely proportional to δ , the dissipation constant. That is " $\tau = C/\delta$ ".

X-ON Electronics

Largest Supplier of Electrical and Electronic Components

Click to view similar products for NTC (Negative Temperature Coefficient) Thermistors category:

Click to view products by SOCAY manufacturer:

Other Similar products are found below :

[B57364S2509A002](#) [526-31AA19-104](#) [526-31AN12-202](#) [11028414-00](#) [526-31AA79-102](#) [PTCLL05P131TBE](#) [144-101FAG-001](#) [521-53AW02-104](#) [1-1423022-3](#) [MF0916001M4BP0FPT0](#) [MF58-5.91KF3820-B1](#) [04M5002SFA4](#) [NCG18WF104F0SRB](#)
[NXFT15WF104FEAB035](#) [NXFT15WF104FEAB040](#) [NXFT15XV103FEAB030](#) [NXFT15XV103FEAB025](#) [NXFT15XV103FEAB040](#)
[NXFT15XH103FEAB050](#) [NXFT15XH103FEAB040](#) [NCG18XH103F0SRB](#) [USUR1000-502G-06](#) [NXFT15XH103FEAB045](#)
[B57864S0502F040](#) [NTCALUG01A103G611](#) [GA50K6A1IA](#) [GA10K3MR1I](#) [NXFT15XV103FEAB035](#) [NXFT15XV103FEAB021](#)
[NXFT15XV103FEAB045](#) [GA50K6A1IB](#) [GA30K5A1A](#) [GA10K4A1IA](#) [A1004SS22P63](#) [11031964-00](#) [NXFT15XH103FEAB035](#)
[NXFT15WF104FEAB021](#) [GA100K6A1IB](#) [11026149-00](#) [TCTR0805F10K0F4460T](#) [TCTR0805F10K0F3720T](#) [TCTR0603F100KF4460T](#)
[TCTR0603F100KF4390T](#) [TCTR0603F100KF4050T](#) [TCTR0603F100KF3980T](#) [TCTR0603F10K0F4300T](#) [TCTR0603F10K0F3960T](#)
[TCTR0603F10K0F3930T](#) [TCTR0805F100KF4460T](#) [TCTR0805F100KF4310T](#)