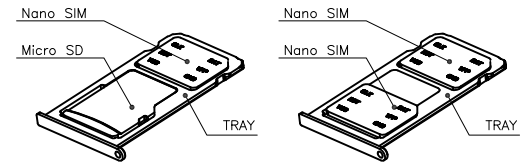


REV.	ECN NO OR DESCRIPTION	REVISED	DATE
△	PROPOSE ONLY	ALLEN	2016.04.22

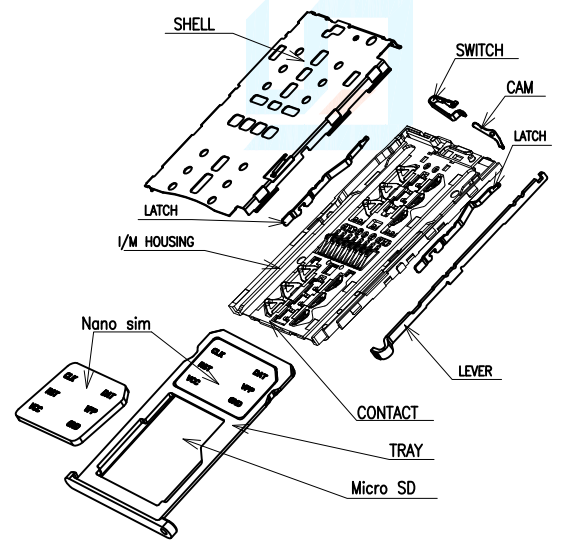
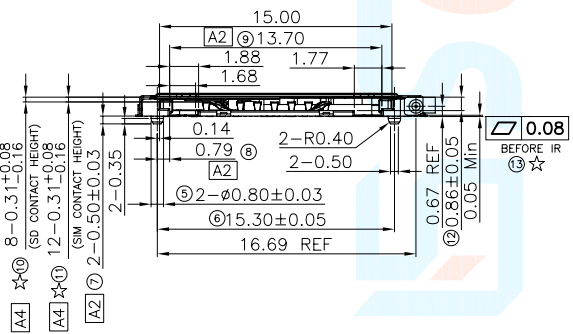
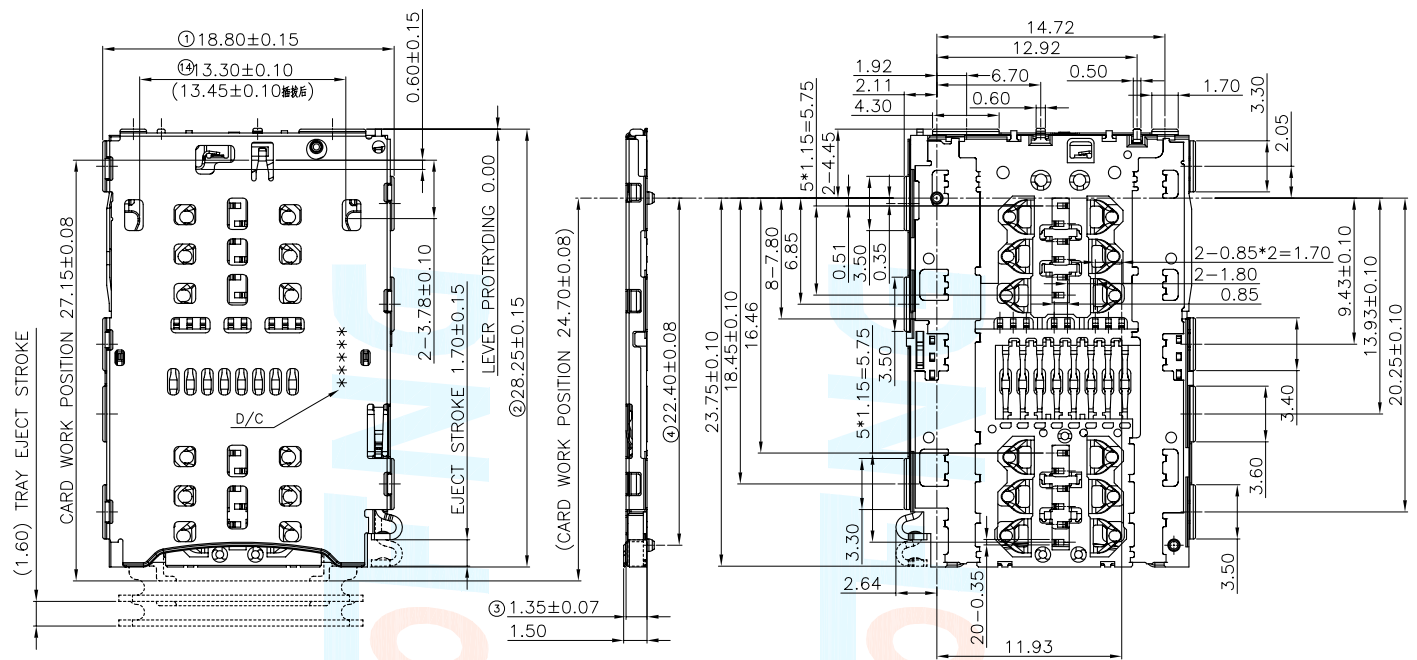
- NOTES:
- ELECTRICAL REQUIREMENTS:
    - CURRENT RATING: 0.3A PER PIN.
    - CONTACT RESISTANCE: 60mΩ MAX INITIAL; 100mΩ MAX AFTER TEST
    - INSULATION RESISTANCE: 1000MΩ MIN @200 V DC FOR 1 MINUTE.
    - WITHSTANDING STRENGTH: 500V AC FOR 1 MINUTE
  - MECHANICAL REQUIREMENTS:
    - TRAY INSERTION FORCE: 2~10N;  
TRAY WITHDRAW FORCE: 4~10N;  
EJECTOR OPERATING FORCE: 4~12N
    - THE RESORPTION DISTANCE OF THE TRAY : 0.4mm MIN
    - DURABILITY: 3,000 CYCLES MIN.
  - ENVIRONMENT REQUIREMENTS:
    - OPERATING TEMP.: -30°C TO +85°C
    - STORAGE TEMPERATURE: -40°C TO +85°C



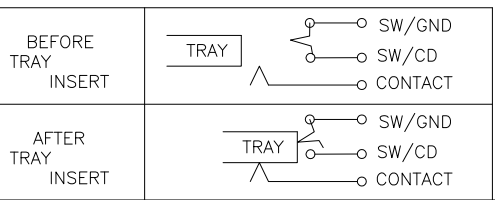
CONFIGURATION 1: Micro SD + Nano SIM  
 CONFIGURATION 2: Nano SIM + Nano SIM  
 USING CONFIGURATION

7	SWITCH (SW)	1	COPPER ALLOY	Au 5u" min on sw area and 1u" min on solder tail area over nickel underplating overall.
6	CAM	1	STAINLESS STEEL	/
5	LATCH	2	STAINLESS STEEL	/
4	LEVER	1	STAINLESS STEEL	/
3	SHELL	1	STAINLESS STEEL	Au 1u" min on solder tail area over nickel underplating overall.
2	HOUSING	1	THERMAL PLASTIC, UL94V-0	/
1	CONTACT	1	COPPER ALLOY	Au 10u" min on contact area, 5u" min on sw area and 1u" min on solder tail area over nickel underplating overall.
ITEM	NAME	Q'TY	MATERIAL	FINISH

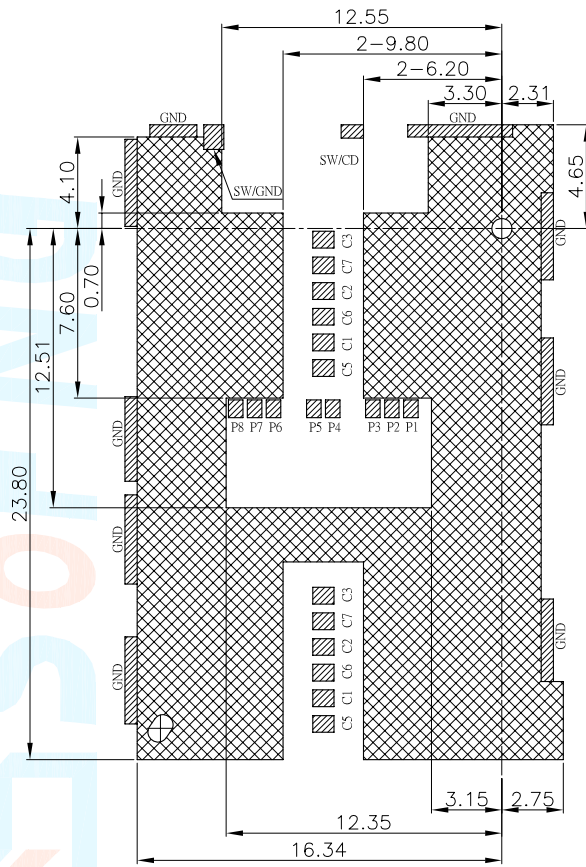
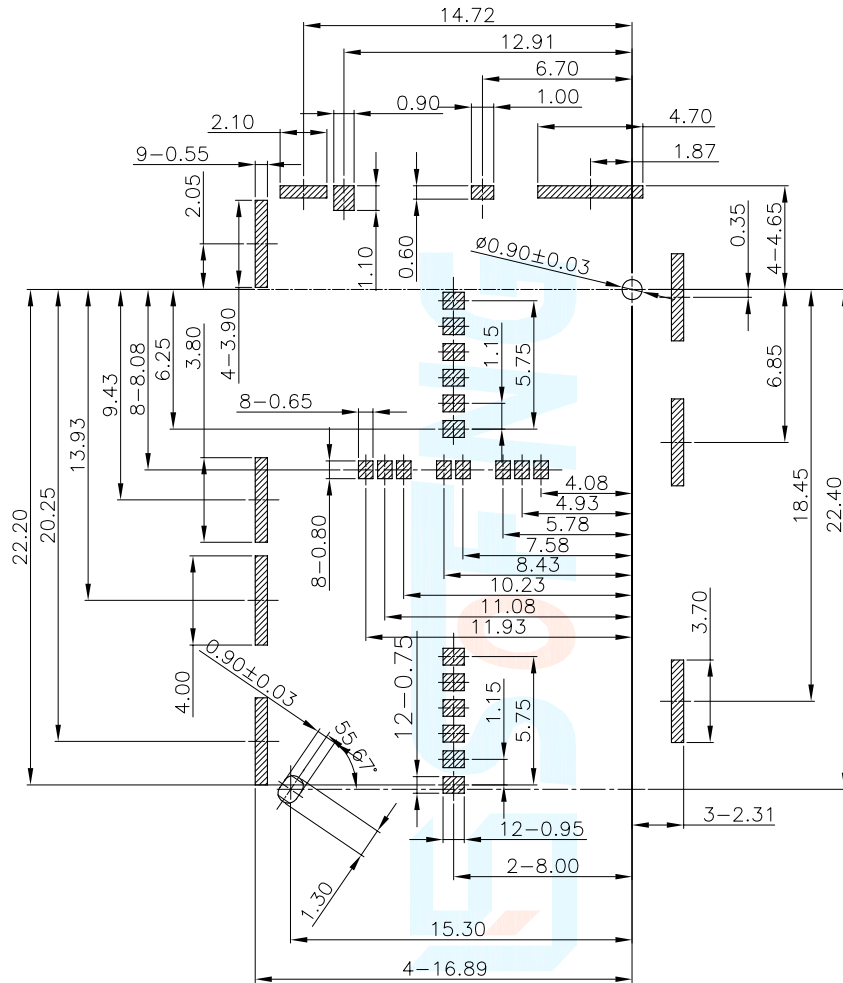
UNLESS OTHERWISE SPECIFIED TOLERANCES		開關, 连接器 东莞市硕方电子科技有限公司			
DECIMALS:	ANGLES:	TITLE 1.35H Nano&tft 3in2 with tray (Pin Push)Conn.Assem.			
X :±0.5	X :±2°	DWN	ALLEN	PART NO. CS-213 (3 IN2)	
X.X :±0.20	X.X :±1°	CHKD	KEVIN	SCALE:1:1	UNIT: mm
X.XX :±0.10		APVD	ERIC.W	SIZE: A3	SHEET:10F 1
CUSTOMER COPY					



CIRCUIT DIAGRAM FOR DETECT SWITCH (NORMAL CLOSE SWITCH)



REV.	ECN NO OR DESCRIPTION	REVISED	DATE
	PROPOSE ONLY	ALLEN	2016.04.22



CONNECTOR PIN ASSIGNMENT:

ITEM	FUNCTION
Micro SD CARD	
P1	DAT2 OF MSD
P2	CD/DAT3 OF MSD
P3	CMD OF MSD
P4	VDD OF MSD
P5	CLK OF MSD
P6	VSS OF MSD
P7	DAT0 OF MSD
P8	DAT1 OF MSD
SW	TRAY DETECTION SW
S	SHELL GND
NANO SIM CARD	
C1	VCC OF SIM
C2	RST OF SIM
C3	CLK OF SIM
C5	GND OF SIM
C6	VPP OF SIM
C7	DATA OF SIM

CARD PIN ASSIGNMENT:

ITEM	FUNCTION
Micro SD CARD	
P1	DAT2 OF MSD
P2	CD/DAT3 OF MSD
P3	CMD OF MSD
P4	VDD OF MSD
P5	CLK OF MSD
P6	VSS OF MSD
P7	DAT0 OF MSD
P8	DAT1 OF MSD
NANO SIM CARD	
C1	VCC OF SIM
C2	RST OF SIM
C3	CLK OF SIM
C5	GND OF SIM
C6	VPP OF SIM
C7	DATA OF SIM

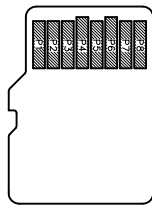
SMT SOLDER AREA.

KEEP OUT AREA (No Circuit)

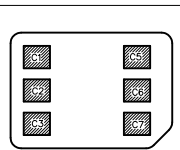
CONNECTOR AREA

CARD PIN ASSIGNMENT:

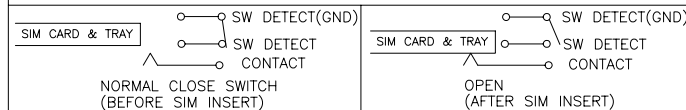
ITEM	FUNCTION
Micro SD CARD	
P1	DAT2 OF MSD
P2	CD/DAT3 OF MSD
P3	CMD OF MSD
P4	VDD OF MSD
P5	CLK OF MSD
P6	VSS OF MSD
P7	DAT0 OF MSD
P8	DAT1 OF MSD



NANO SIM CARD	
C1	VCC OF SIM
C2	RST OF SIM
C3	CLK OF SIM
C5	GND OF SIM
C6	VPP OF SIM
C7	DATA OF SIM



CIRCUIT DIAGRAM FOR DETECT SWITCHES



UNLESS OTHERWISE SPECIFIED TOLERANCES

DECIMALS:	ANGLES:
X :±0.5	X :±2°
X.X :±0.20	X.X :±1°
X.XX :±0.10	

開關、连接器 东莞市硕方电子科技有限公司

TITLE	1.35H Nano&tft 3in2 with tray (Pin Push)Conn.Assem.		
DWN	ALLEN	PART NO. CS-213 (3 IN2)	
CHKD	KEVIN	SCALE:1:1	UNIT: mm
APVD	ERIC.W	SIZE: A3	SHEET:10F 1
			REV: A

CUSTOMER COPY

## X-ON Electronics

Largest Supplier of Electrical and Electronic Components

*Click to view similar products for [Memory Card Connectors](#) category:*

*Click to view products by [SOFNG](#) manufacturer:*

Other Similar products are found below :

[6407-249V-25273P](#) [6407-249V-25343P](#) [6426-201-21343](#) [69.920.0553.0](#) [MCR60A-98D-2.54DSA\(70\)](#) [809180410000000](#) [DM3AT-SF-PEJM5\(41\)](#) [IC11S-BUR-PNEJL\(71\)](#) [C70210M0083692](#) [2041353-2](#) [308-DS1P0811-192](#) [HM2P09PDR360N9LF](#) [10014744-011TLF](#) [11327-001](#) [11327-002](#) [NX1-32T-KT3K\(05\)](#) [95622-003LF](#) [84648-056HLF](#) [CCM03-3109 B LFT](#) [MS3116J10-6PW](#) [2309923-1](#) [61126-050CAHLF](#) [GTFP08432B1HR](#) [G85D1160022HHR](#) [SCE2MSDZN76A121SN](#) [10014744-011ALF](#) [10014744-011LF](#) [10057542-1211FLF](#) [10067972-000LF](#) [10067972-050LF](#) [10122302-20110LF](#) [G85D1162022HHR](#) [TF-05A](#) [M6014-12](#) [SMN-304-ARP6](#) [MIS11-S1F1-2000-A](#) [SMN-308-ARSP7](#) [MCS-302S-KT1B](#) [SMN-308-ACSP7](#) [K-DYX-008](#) [K-DYX-004](#) [HYCW126-TF18-150B](#) [C7024-03](#) [SMO-1030](#) [MCS-110-KT](#) [SIM-217](#) [SNO-1355-KT](#) [SMO-1025-P10](#) [SIM-211S-P6](#) [SNO-1440](#)