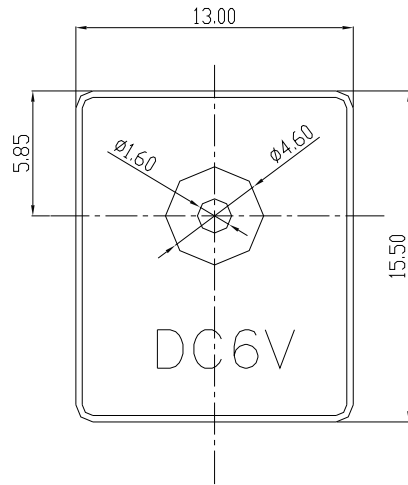
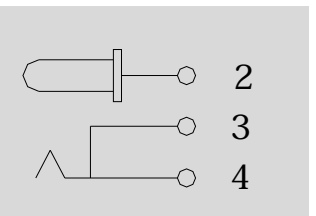
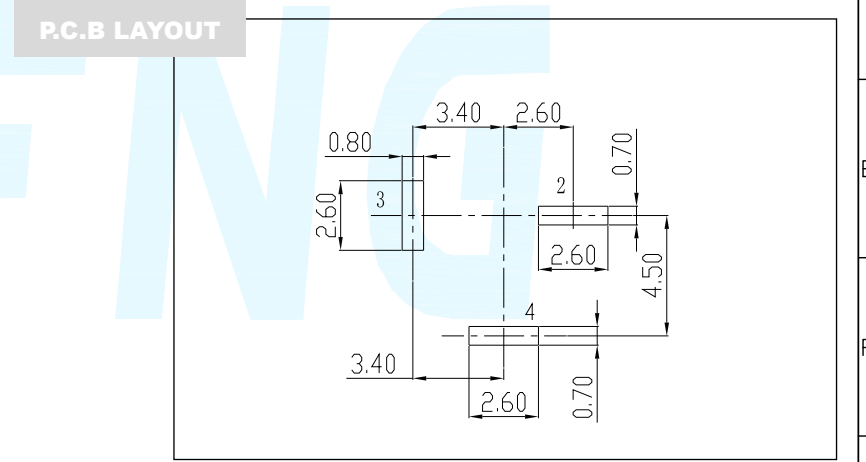
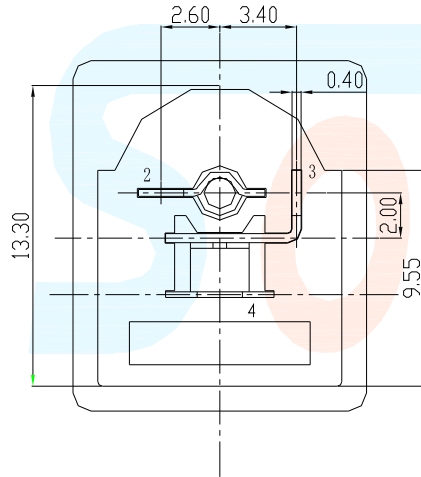
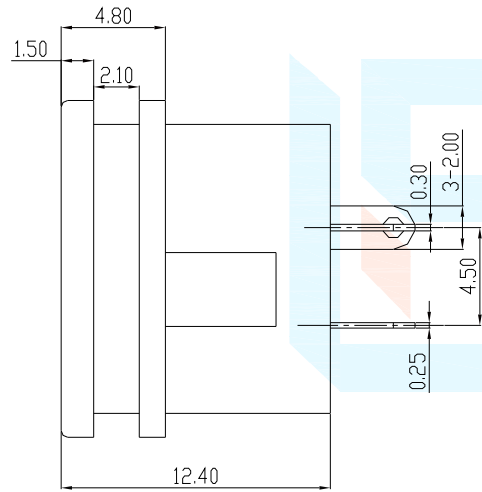


| Material declaration |      |                           |
|----------------------|------|---------------------------|
| No.                  | NAME | Description               |
| ① A                  | 基座   | PPA 热塑性塑胶[黑色]             |
| ② B                  | 后盖   | PPA 热塑性塑胶[黑色]             |
| ③ C                  | 内芯针  | H62 黄铜棒[镀锡 50u" min]      |
| ④ D                  | 动态端子 | 磷铜带 C5191 [镀银]            |
| ⑤ E                  | 静态端子 | 黄铜带 H62/SPCC[镀锡 50u" min] |
| ⑥ F                  | 连接片  | 黄铜带 H62/SPCC[镀锡 50u" min] |

| REVISION |             |            |      |
|----------|-------------|------------|------|
| LTR      | DESCRIPTION | DATE       | APP  |
| A0       | NEW RELEASE | 05/20/2020 | PECK |
|          |             |            |      |



| LEVEL                 |   | A[better product]    | B[average product]         |
|-----------------------|---|----------------------|----------------------------|
| PROJECT               | Contact Rating                              | 3.0A, 30V DC         |                            |
| Electrical Properties | Initial Contact Resistance                  | 50mΩ max.            |                            |
|                       | Insulation Resistance                       | 100MΩ min.500V DC    | Skey/PD: 100MΩ min.300V DC |
| Durable Performance   | Withstand Voltage                           | 500V AC for 1 minute | 350 V AC for 1 min         |
|                       | There No Load                               | 6,000 Cycles         | 5,000 Cycles               |
|                       | Rated Load                                  | 5,000 Cycles         | 4,000 Cycles               |
| Storage temp.         | -35°C~+75°C(Operating Temp: )               |                      |                            |
| Operating Force       | IF:35N MAX. (EF:10.0N MIN.)                 |                      |                            |
| Heat Rrsistance       | IR Reflow:235°C, 5sec. Manual :350°C, 3sec. |                      |                            |



|                          |            |                 |         |  |          |           |     |
|--------------------------|------------|-----------------|---------|--|----------|-----------|-----|
| DIMENSION CLASSIFICATION |            | 台灣碩方精密電子科技有限公司  |         | TAIWAN SOFNG PRECISION ELECTRONIC CO., LTD |          | SOFNG     |     |
| ■                        | : CRITICAL | TITLE           |         | DC-052D 立插式电源插座                            |          | 開關, 連接器   |     |
| ☒                        | : MAJOR    | TOLERANCE TABLE |         | 直径4.6/内芯1.65mm                             |          | SOFNG     |     |
| .X                       | ± 0.40     | PART NO.        | DC-052D | 【帶固定卡位】                                    | SERIES   | SD106     |     |
| .XX                      | ± 0.25     | APPROVED        | Peck    | DWG NO.                                    | SOF-G006 |           |     |
| .XXX                     | ± 0.10     | CHECKED         | Paul    | SCALE                                      | 1:1      | UNIT      | mm  |
| ANGLE                    | ± 2°       | DRAWIN          | David   | REV  | AO       | SHEET NO. | 1/1 |

## X-ON Electronics

Largest Supplier of Electrical and Electronic Components

*Click to view similar products for [DC Power Connectors](#) category:*

*Click to view products by [SOFNG](#) manufacturer:*

Other Similar products are found below :

[KLDX-SMT-0202-BPTR](#) [171-0722-E](#) [K596](#) [KLD-0201-BC](#) [4C6831AX](#) [10073976-112LF](#) [LCB60PW-M](#) [LCB30PW-M](#) [LCB60PB-M](#)  
[LCC30PB-M](#) [LCB50PW-M](#) [LCB50-M](#) [LCB60-F](#) [LCC30-M](#) [LCB40PW-M](#) [LCC30PW-M](#) [LCB50-F](#) [LCB40-F](#) [LCB30-F](#) [LCC40-M](#)  
[LCC40PB-M](#) [LCB40PB-M](#) [LCC40-F](#) [LCB60-M](#) [LCC40PW-M](#) [LCB50PB-M](#) [DC-002-100](#) [DC-031A-130](#) [DC-031A-100](#) [DC-003A-130](#)  
[DC-045-130](#) [DC-192-130](#) [DC-033-130](#) [DC-011-100](#) [DC-002F-130](#) [DC-002-130](#) [DB-14-2F](#) [DC-183B](#) [DC-060-04A](#) [DC-099-200](#) [DC-015-](#)  
[250-A](#) [DC-016-200-A](#) [DC-005A-200](#) [DC-044A-200](#) [DC-088-200](#) [DC-022A-200](#) [DC-038-150](#) [DC-005C-130](#) [DC-012A-200](#) [DC-098-200](#)