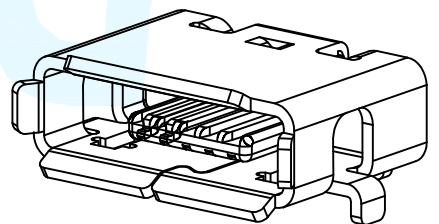
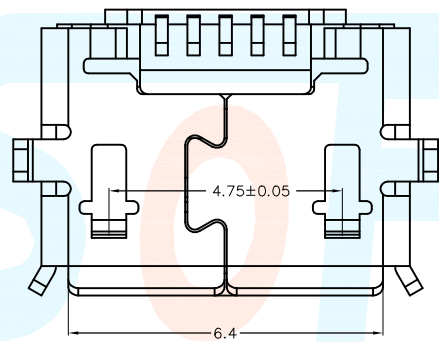
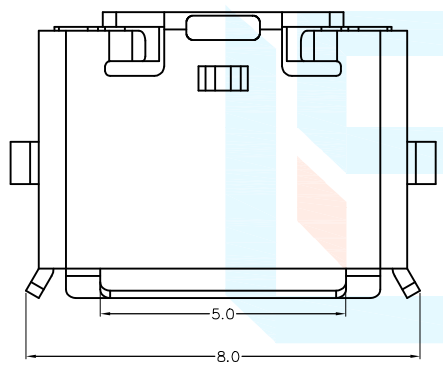
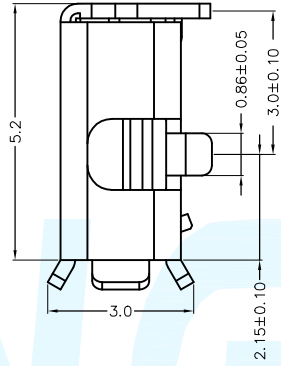
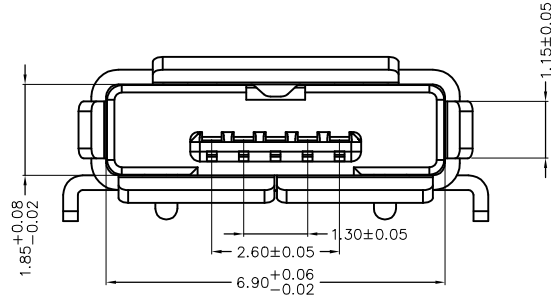
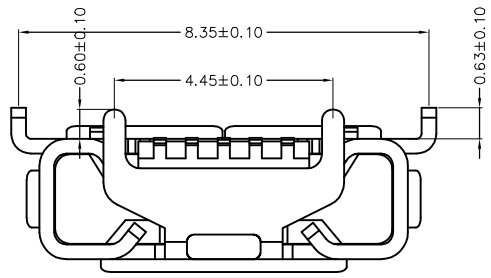
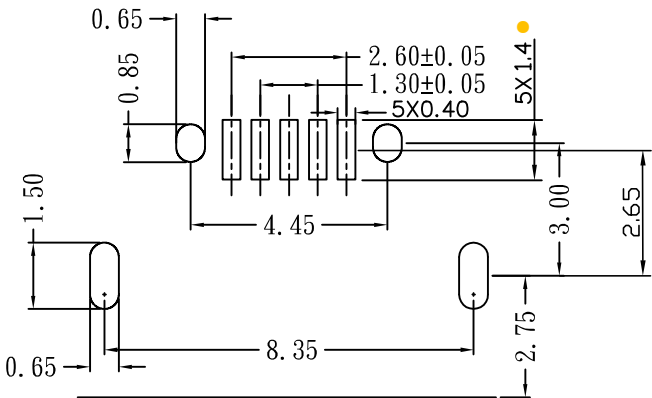


REVISION			
LTR	DESCRIPTION	DATE	APP
A0	NEW RELEASE	02/23/2021	PECK



=PATTERN PROHIBITED AREA  
 =GND AREA  
 =TIN AREA  
 TOLERANCE ±0.05



PCB LAYOUT

Note:

1.Material:

- 1.1 Housing: High temperature thermoplastic,UL94v-0
- 1.2 Orbit: High temperature thermoplastic,UL94v-0
- 1.3 Contact: copper alloy;  
Gold plated contact area;Tin plated solder area
- 1.4 Shell:Stainless;Ni plated allover;  
Gold plated solder area

2.Specification:

- 2.1 Current rating: 0.5A Max
- 2.2 Voltage rating: 5V DC
- 2.3 Dielectric withstanding voltage:  
500V(AC) for 1 min.
- 2.4 Contact resistance: 100mΩ Max.
- 2.5 Insulation resistance: 1000MΩ min.
- 2.6 Temperature range: -25°C~85°C
- 2.7 Mating cycle:5000 cycles min
- 2.8 Insert force: 40N Max  
Extraction force: 0.5~40N

DIMENSION CLASSIFICATION		台灣碩方精密電子科技有限公司		TAIWAN SOFNG PRECISION ELECTRONIC CO., LTD			
■ : CRITICAL ☒ : MAJOR		TITLE		MC-214-4483		開關, 連接器	
TOLERANCE TABLE		PART NO.		MC-214-4483		SERIES SD106	
.X	± 0.40	APPROVED	Peck	DWG NO.	MC-214-4483		
.XX	± 0.25	CHECKED	Paul	SCALE	1:1	UNIT	mm
.XXX	± 0.10	DRAWIN	David	REV	AO	SHEET NO.	1/1
ANGLE	± 2°						

## X-ON Electronics

Largest Supplier of Electrical and Electronic Components

*Click to view similar products for [USB Connectors](#) category:*

*Click to view products by [SOFNG](#) manufacturer:*

Other Similar products are found below :

[950](#) [MUSBD11135](#) [17-200721](#) [217450-1](#) [KMBVX-TH-5S-B30](#) [KUSBX-AS2N-W](#) [KUSBX-SMT2AP1S-W30](#) [935](#) [957](#) [30-498-6](#) [SK-60A-2](#)  
[1734082-1](#) [30-470](#) [30-489](#) [30-541](#) [A-USB A-2P-C](#) [MIKROE-1451](#) [USBFTVSCCG](#) [1-1734084-2](#) [10135326-001LF](#) [4198](#) [USB-A-D-VT](#)  
[USB-A-S-RA-TSMT](#) [1310-1023-02](#) [690-024-633-031](#) [UB-20PMFP-LC7001](#) [17-200011](#) [UB-20AFMM-LL7A01](#) [1040870124](#) [CAP-](#)  
[WCCMLPB1](#) [CAP-WCCMLPC1](#) [2274475-3](#) [UB-20BMFA-SL8001](#) [914-614A2025S10200](#) [USB3FTV7SAGF059](#) [ZX40-B-5S-1500-](#)  
[STDA\(30\)](#) [GSB3116344HR](#) [USB3FTV2SAZNF459](#) [USB3FTV7SAZNF459](#) [U221-041N-1WVS62-F5D](#) [HYCW153-USBD05-500B](#)  
[HYCW219-USBD05-075B](#) [HYCW148-USBD05-117B](#) [HYCW149-USBD05-740B](#) [HYCW204-USBD05-108B](#) [HYCW214-USBA04-113B](#)  
[HYCW213-USBA04-113B](#) [UB-20AMFM-SL7A01](#) [KMMX-BSMT35S-1-B30TR](#) [2345986-1](#)