

Operation: 垫高型卧式 & 2.0Type-C 连接器/16PIN+4DIP



LTEM NO.:MC-311H-40 (M2: MOLDING)

(8.0L×9.5W×7.5H & DUL SMT LOW PCB TYPE)

C-Universal Serial Bus Connectors



Technical parameter

外焊 SMT+DIP

| PROJECT | LEVEL | LEVEL | |
|------------------------------|----------------------------|-----------------------------|----------------------------|
| | | A[better product] | B[average product] |
| Electrical Properties | Contact Rating | 3A, 12V DC | |
| | Initial Contact Resistance | 30mΩ max. | 50mΩ max. |
| | Insulation Resistance | 100MΩ min.500V DC | Skey/PD: 100MΩ min.300V DC |
| | Withstand Voltage | 350V AC for 1 minute | 250 V AC for 1 minut |
| Durable Performance | There No Load | 10,000 Cycles | 8,500 Cycles |
| | Rated Load | 8,500 Cycles | 6,500 Cycles |
| | Storage temp. | -25℃~+75℃(Operating Temp:) | |

側向導入 LATERAL

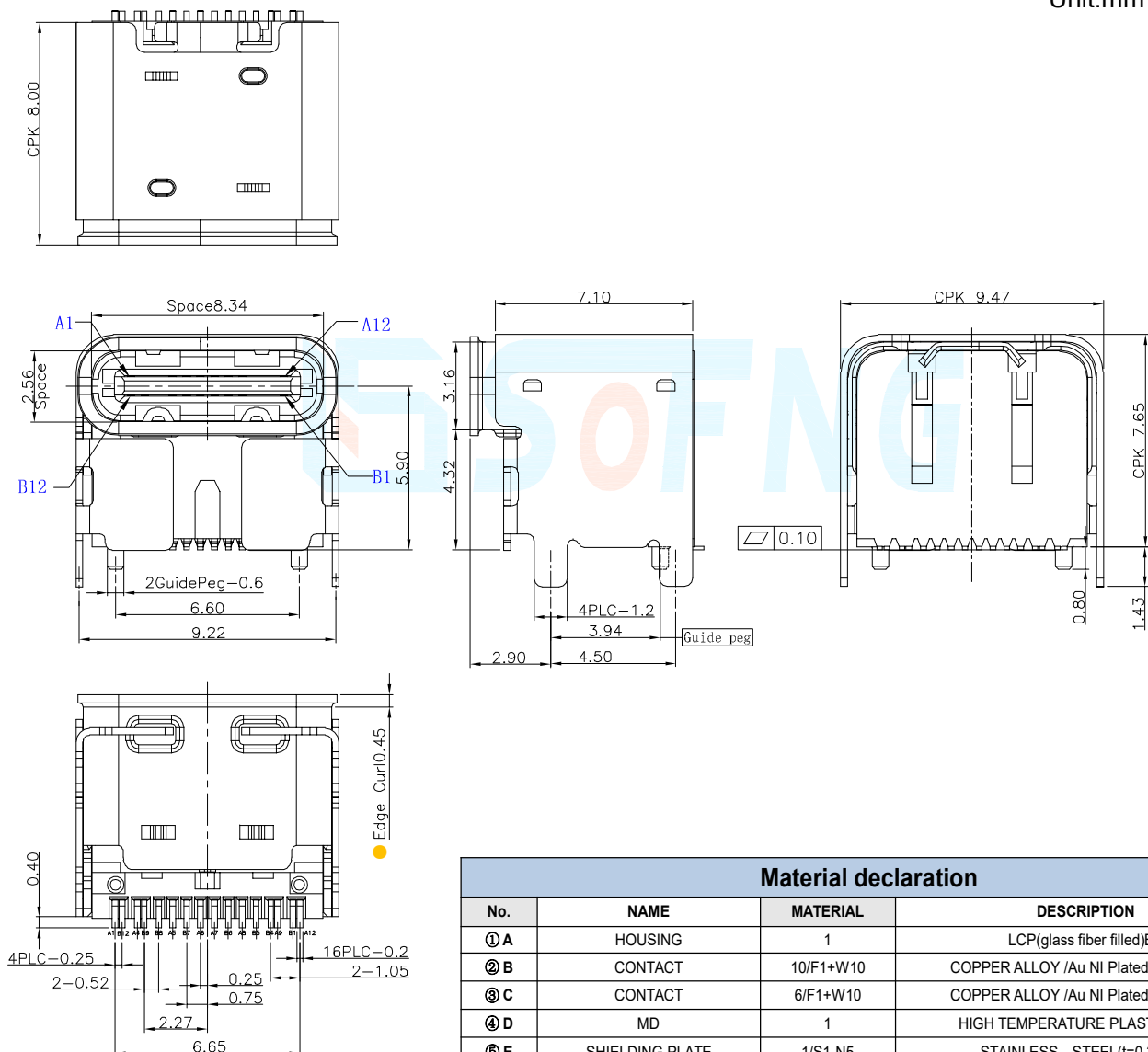
精密部品 NICETY

可靠 STABILIZE

環保材質 RoHS

Unit:mm

Page1



Material declaration

| No. | NAME | MATERIAL | DESCRIPTION |
|-----|-----------------|-----------|--------------------------------------|
| ① A | HOUSING | 1 | LCP(glass fiber filled)BK |
| ② B | CONTACT | 10/F1+W10 | COPPER ALLOY /Au Ni Plated(t=0.12mm) |
| ③ C | CONTACT | 6/F1+W10 | COPPER ALLOY /Au Ni Plated(t=0.12mm) |
| ④ D | MD | 1 | HIGH TEMPERATURE PLASTIC(Black) |
| ⑤ E | SHIELDING PLATE | 1/S1-N5 | STAINLESS STEEL(t=0.30mm) |
| ⑥ F | SHIELD | 1/S1+N5 | STAINLESS STEEL(t=0.30mm) |

Operating Force

Inward
Exiting

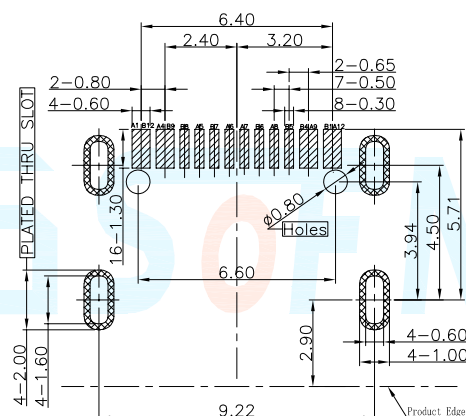
8.0~12.0N. (1N.=100gram-force)

8.0~12.0N. (1N.=100gram-force)

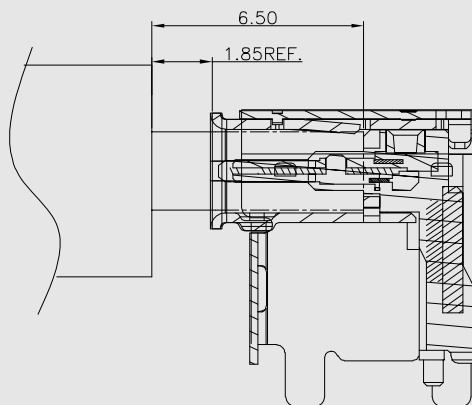
Solder-ability (Max.)

IR Reflow:255°C, 5sec.

Manual:350°C, 3sec.



TYPE C HEAD



MATED POSITION

PIN ASSIGNMENTS

| PIN | Signal NAME | Description | PIN | Signal NAME | Description |
|-----|-------------|---|-----|-------------|---|
| A 1 | GND | Ground return | B12 | GND | |
| A 4 | V BUS | Bus Power | B 9 | V BUS | Bus Power |
| A 5 | CC1 | Configuration Channel | B 8 | SBU2 | Sideband Use(SBU) |
| A 6 | Dp1 | Positive half of the USB 2.0 differential pair-Position 1 | B 7 | Dn2 | Negative half of the USB 2.0 differential pair-Position 2 |
| A 7 | Dn1 | Negative half of the USB 2.0 differential pair-Position 1 | B 6 | Dp2 | Positive half of the USB 2.0 differential pair-Position 2 |
| A 8 | SBU1 | Sideband Use(SBU) | B 5 | CC2 | Configuration Channel |
| A 9 | V BUS | Bus Power | B 4 | V BUS | Bus Power |
| A12 | GND | Ground return | B 1 | GND | Ground return |

注記 NOTICE

1. 碩方公司擁有最終解釋權；The SOFNG company reserves the right of final interpretation;
2. 文件禁止外洩、轉載；Leaked and reproduced prohibited;
3. 未經授權修改無效。Modify is invalid.

X-ON Electronics

Largest Supplier of Electrical and Electronic Components

Click to view similar products for [USB Connectors](#) category:

Click to view products by [SOFNG](#) manufacturer:

Other Similar products are found below :

[950](#) [A-USB B-TOP-C](#) [MUSBA511N5](#) [MUSBC111M5](#) [MUSBD11135](#) [17-200721](#) [217450-1](#) [KMBVX-TH-5S-B30](#) [896-30-004-00-000000](#)
[KUSBX-AS2N-W](#) [KUSBX-SMT2AP1S-W30](#) [935](#) [957](#) [30-498-6](#) [SK-60A-2](#) [1734082-1](#) [30-1574](#) [30-470](#) [30-489](#) [30-541](#) [A-USB A-2P-C](#)
[MIKROE-1451](#) [USBFTV2PEM2G](#) [USBFTVSCCG](#) [4689-1](#) [1-1734084-2](#) [MUSBC11135](#) [USBF21ZNSCC](#) [USBBFTV6ZC](#) [MUSBB151341](#)
[10135326-001LF](#) [M9177/3-1](#) [TJ-105](#) [USB-A-S-F-B-VT](#) [4198](#) [690-024-633-031](#) [UB-20PMFP-LC7001](#) [USBFTVC6MRG](#) [UA-20BMFA-](#)
[SL8001](#) [17-200011](#) [USBFTVC7ZC](#) [UB-20AFMM-LL7A01](#) [USBFTVC2MN](#) [CAP-WCCMLPB1](#) [1310-1031-01](#) [2041386-1](#) [2274475-3](#) [UB-](#)
[20BMFA-SL8001](#) [UB-20PMFP-SC8003](#) [914-614A2025S10200](#)