

Operation: SMT+DIP 沉板式 & 3.1Type-C 连接器/防水结构



LTEM NO.: MC-313F-14 (Consumer Electronics)  
(9.65L × 9.20W × 4.00H & DUL SMT LOW PCB TYPE)

## Universal Serial Bus Connectors



### Technical parameter

外焊 SMT+DIP

PROJECT	LEVEL	A[better product]	B[average product]
		<b>Electrical Properties</b> Contact Rating Initial Contact Resistance Insulation Resistance Withstand Voltage There No Load Rated Load Storage temp.	3A, 24V DC 30mΩ max. 100MΩ min.500V DC 500V AC for 1 minute 6,500 Cycles 5,500 Cycles -25℃~+75℃(Operating Temp:

側向導入 LATERAL

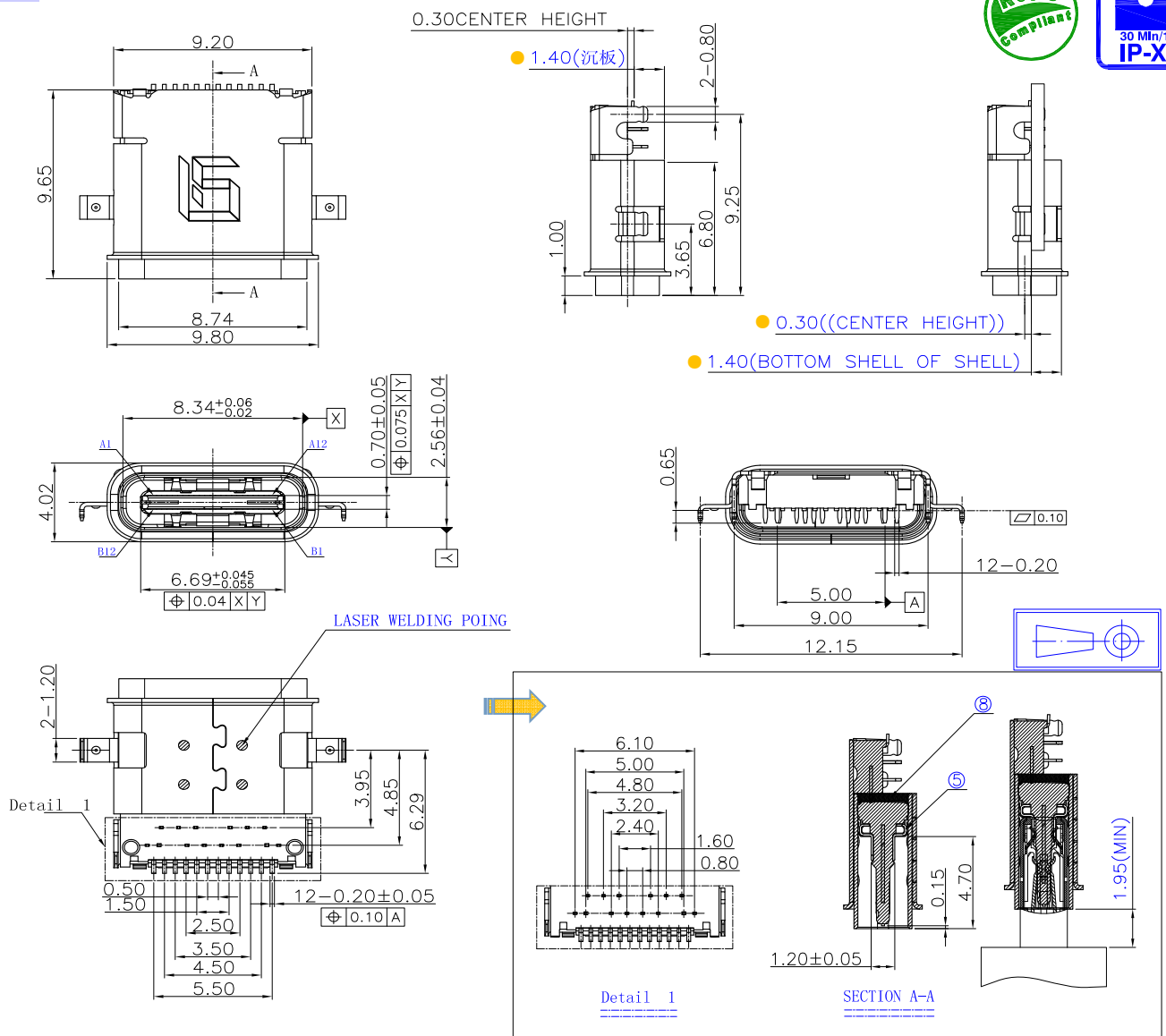
精密部品 NICETY

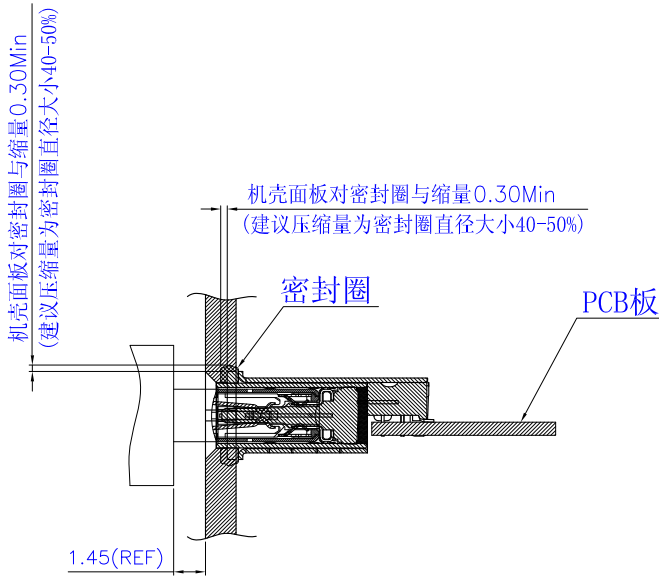
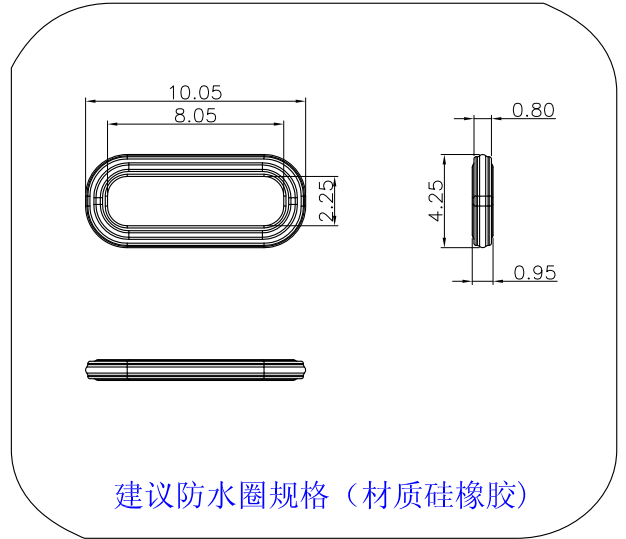
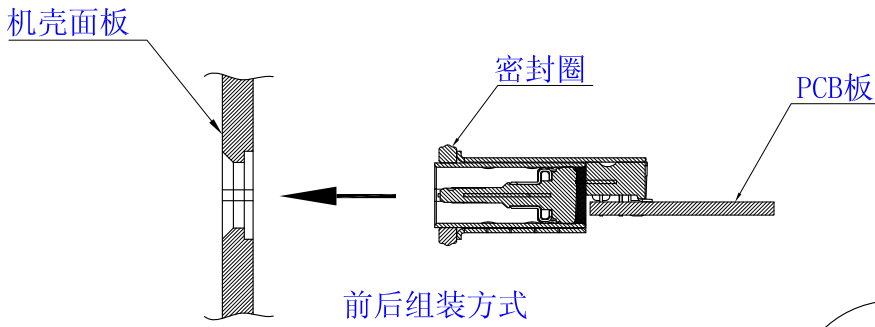
可靠 STABILIZE

環保材質 RoHS

Page1

Unit:mm



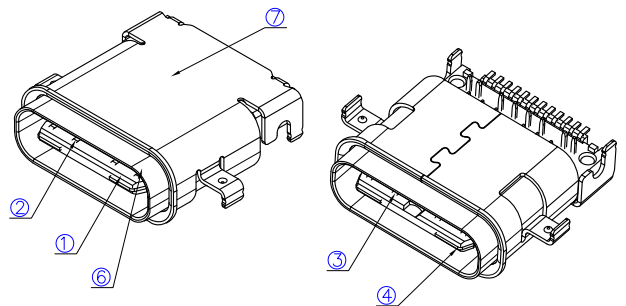


组装面板后公母头对插示意图



**SPECIFIED TOLERANCES**  
UNLESS OTHERWISE

DECIMALS	ANGLES
X.X : ±0.25	X.X : ±3°
X.XX : ±0.15	X.XX : ±2°
X.XXX : ±0.10	



Material declaration			
No.	NAME	MATERIAL	DESCRIPTION
① A	HOUSING	-	HIGH TEMP[Black]
② B	Terminal-A 12PIN	COPPER ALLOY 【G/F】	Au:15 μ" PLATING OVERALL;[t=0.12mm]铜镍硅合金
③ C	Terminal-B 12PIN	COPPER ALLOY 【G/F】	Au:15 μ" PLATING OVERALL;[t=0.12mm]铜镍硅合金
④ D	MID PLATE	STAINLESS 【G/F】	STAINLESS STEEL(t=0.15mm)
⑤ E	GND PLATE	STAINLESS 【G/F】	STAINLESS STEEL/ Ni PLATING(t=0.10mm)
⑥ F	SHELL-#1	STAINLESS 【G/F】	STAINLESS STEEL/ Ni PLATING(t=0.20mm)
⑦ G	SHELL-#2	STAINLESS 【G/F】	STAINLESS STEEL/ Ni PLATING(t=0.20mm)
⑧ H	GLUE WATER	-	EPOXY[Black]

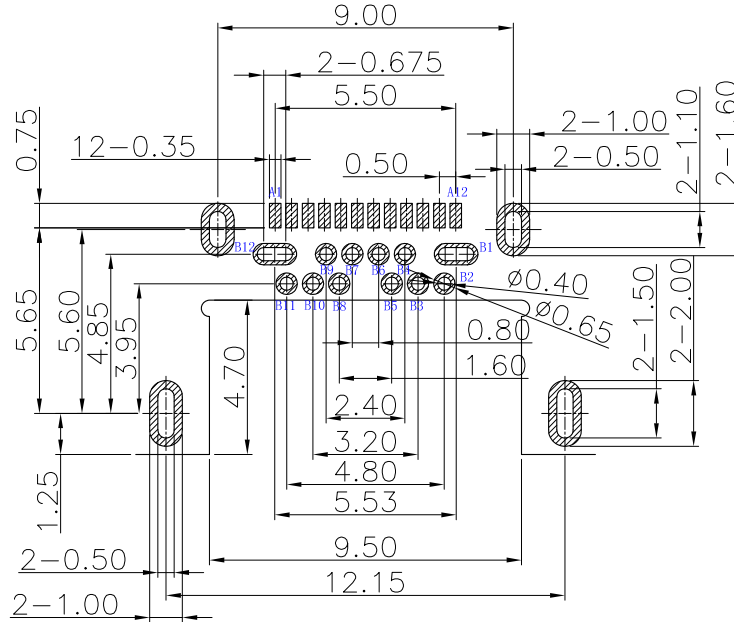
**Operating Force**

Inward  
Exiting

5.0~8.0N. (1N.=100gram-force)  
5.0~8.0N. (1N.=100gram-force)

**Solder-ability (Max.)**

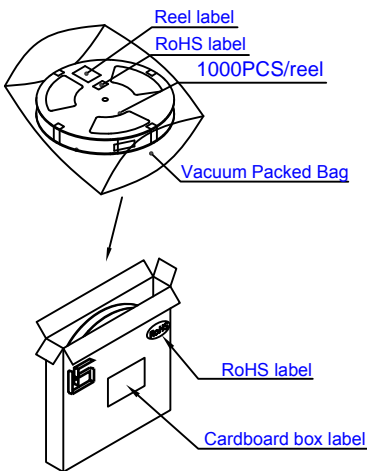
IR Reflow:255°C, 5sec. Manual :350°C, 3sec.



Tolerance:±0.05,Thickness=0.60mm

**PIN ASSIGNMENTS**

PIN	Signal NAME	Description	PIN	Signal NAME	Description
A 1	GND	Ground return	B12	GND	Ground return
A 2	SSTXp1	Positive half of first SuperSpeed TX differential pair	B11	SSRXp1	Positive half of second SuperSpeed RX differential pair
A 3	SSTXn1	Negative half of first SuperSpeed TX differential pair	B10	SSRXn1	Negative half of second SuperSpeed RX differential pair
A 4	V BUS	Bus Power	B 9	V BUS	Bus Power
A 5	CC1	Configuration Channel	B 8	SBU2	Sideband Use (SBU)
A 6	Dp1	Positive half of the USB 2.0 differential pair-Position 1	B 7	Dn2	Negative half of the USB 2.0 differential pair-Position 2
A 7	Dn1	Negative half of the USB 2.0 differential pair-Position 1	B 6	Dp2	Positive half of the USB 2.0 differential pair-Position 2
A 8	SBU1	Sideband Use (SBU)	B 5	CC2	Configuration Channel
A 9	V BUS	Bus Power	B 4	V BUS	Bus Power
A10	SSRXn2	Negative half of second SuperSpeed RX differential pair	B 3	SSTXn2	Negative half of first SuperSpeed TX differential pair2
A11	SSRXp2	Positive half of second SuperSpeed RX differential pair	B 2	SSTXp2	Positive half of first SuperSpeed TX differential pair2
A12	GND	Ground return	B 1	GND	Ground return



**注記 NOTICE**

1. 碩方公司擁有最終解釋權；The SOFNG company reserves the right of final interpretation;
2. 文件禁止外洩、轉載；Leaked and reproduced prohibited;
3. 未經授權修改無效。Modify is invalid.

**自动浸焊时**

項目	條件
助焊剂附着量	不附着于零部件贴装面的程度
预热温度	印刷电路板焊接面的周围温度 100°C max.
预热温度时间	60s max.
焊接温度	260°C max.
焊接浸渍时间	5s max.
焊接次数	2次以下

## X-ON Electronics

Largest Supplier of Electrical and Electronic Components

*Click to view similar products for [USB Connectors](#) category:*

*Click to view products by [SOFNG](#) manufacturer:*

Other Similar products are found below :

[10033527-N3112MLF](#) [17-210561](#) [GMCB05B11124H1EU](#) [17-200931](#) [65-647-8-BK-BU](#) [690-010-295-484](#) [73725-1191BLF](#) [950](#) [E8144-B01021-L](#) [A-USB A-LP-SMT-C](#) [A-USB B-TOP-C](#) [MUSBA511N5](#) [MUSBB15131](#) [MUSBC111M5](#) [MUSBD11135](#) [217450-1](#) [CA 6 W LD](#) [896-30-004-00-000000](#) [KUSBVX-BS1N-W30](#) [KUSBX-AP-KIT-SCBLK](#) [KUSBX-AS2N-W](#) [KUSBX-SMT2AP1S-W](#) [KUSBX-SMTAS1NBTR](#) [KUSBX-SMTBS1NBTR](#) [30-498-6](#) [SK-60A-2](#) [17-200261](#) [17-210051](#) [1734082-1](#) [FK-37-32SL](#) [30-1574](#) [30-470](#) [30-489](#) [30-541](#) [30-572-3](#) [30-9503](#) [M9177/2-1](#) [MAB 5 S](#) [MIKROE-1451](#) [33UBBR-04SW11R](#) [USBFTV2PEM2G](#) [USBFTVC6ZN](#) [USBFTVSCCG](#) [KUSBX-AS2N-W30](#) [KUSBX-SLAS1N-W](#) [KUSBX-SLAS1N-W30](#) [1-1734084-2](#) [E8110-001-01](#) [MUSBC11135](#) [NK-27-32SL](#)