

Operation: DIP 2.0Type-C/16PIN 短体&沉板式



LTEM NO.:MC-314C-4P16
 (L6.5mm×W11.60mm×H3.20mm Type-C CONNECTORS)



Technical parameter

| PROJECT | LEVEL | A[better product] | B[average product] |
|------------------------------|----------------------------|-----------------------------|----------------------------|
| Electrical Properties | Contact Rating | 5.0A, 20V DC | |
| | Initial Contact Resistance | 30mΩ max. | 50mΩ max. |
| | Insulation Resistance | 100MΩ min.500V DC | Skey/PD: 100MΩ min.300V DC |
| | Withstand Voltage | 500V AC for 1 minute | 350 V AC for 1 minut |
| | Durable Performance | There No Load | 10,000 Cycles |
| Rated Load | | 8,500 Cycles | 6,500 Cycles |
| | Storage temp. | -30℃~+75℃(Operating Temp:) | |

沉板贴片 SMT

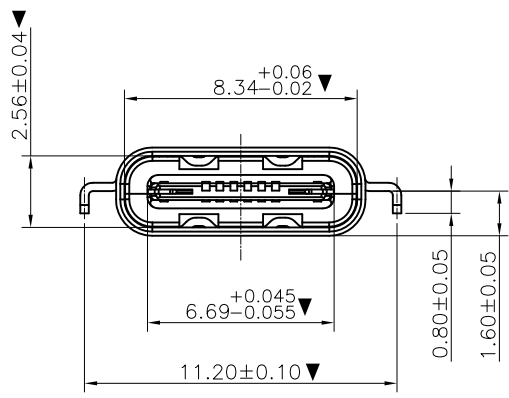
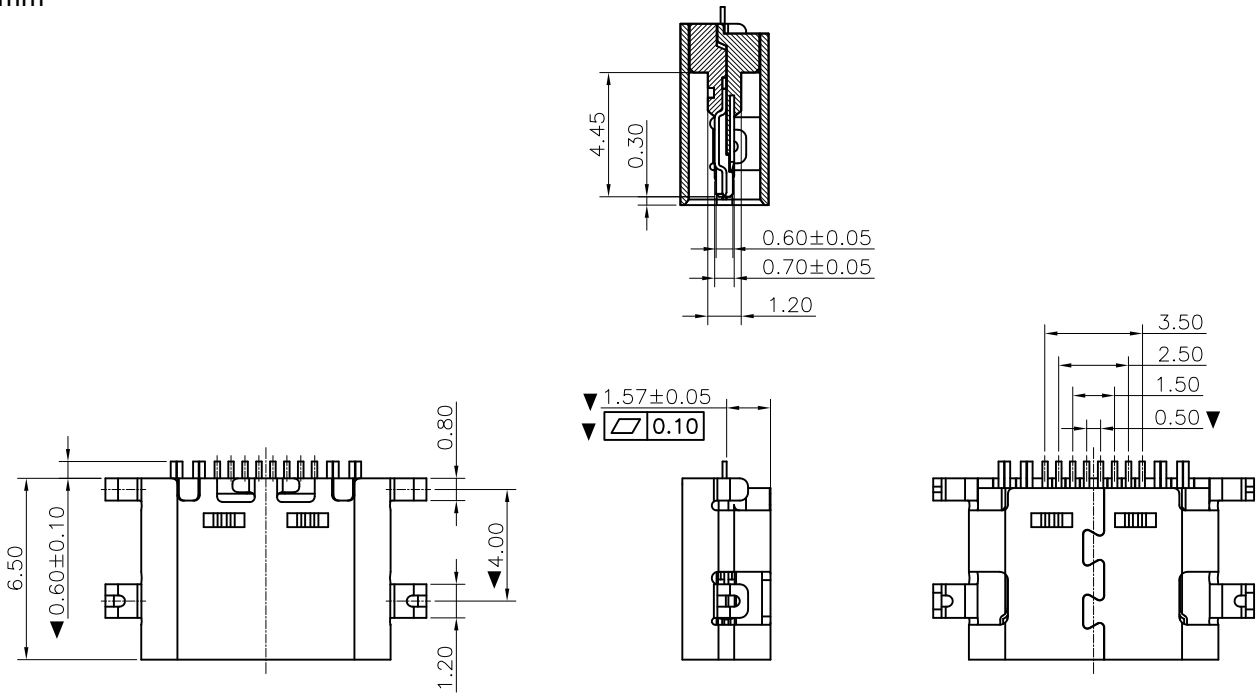
側向導入 LATERAL

精密部品 NICETY

可靠 STABILIZE

適合環保 RoHS

Unit:mm

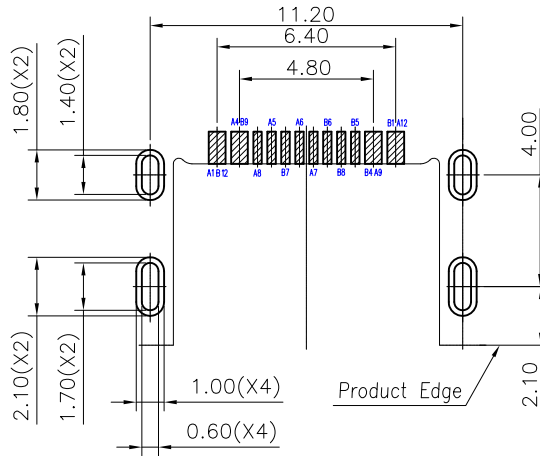


| PIN | Signal NAME | PIN | Signal NAME |
|-----|-------------|-----|-------------|
| A 1 | GND | B12 | GND |
| A 4 | V BUS | B 9 | V BUS |
| A 5 | CC1 | B8 | SBU2 |
| A 6 | Dp1 | B 7 | Dn2 |
| A 7 | Dn1 | B 6 | Dp2 |
| A8 | SBU1 | B 5 | CC2 |
| A 9 | V BUS | B 4 | V BUS |
| A12 | GND | B 1 | GND |

Operating Force

Inward
Exiting

5. 0N (500gf) ~ 15. 0N
6. 0N [(800gf) ~ 17. 0N



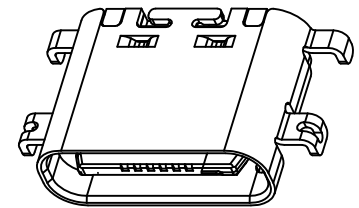
RECOMMENDED P.C.B. LAYOUT
TOLERANCE UNSPECIFIED ±0.05mm

Pin Definition



Material declaration

| No. | NAME | Type | Description |
|-----|-------------|------|-------------------------------------|
| ① | SHELL | 1 | Stainless Steel,(Gold Flash) |
| ② | HOUSING | 1 | THERMOPLASTIC(glass fiber filled)BK |
| ③ | CONTACT | 14 | BRASS(t=0.12mm) |
| ④ | METAL COVER | 1 | STAINLESS STEEL(t=0.30mm) |
| ⑤ | LOCK PIN | 2 | STAINLESS STEEL(t=0.20mm) |



本品不屬於危害性廢棄物,須丟棄時可以委託回收商予以回收再生處理。
Products do not belong to •

注記 NOTICE

1. 碩方公司擁有最終解釋權; The company reserves the right of final interpretation;
2. 文件禁止外洩、轉載; Leaked and reproduced prohibited;
3. 未經授權修改無效。Modify is invalid.

運送時本產品不要直接與水、酸鹼性化學物質接觸,或放置於含有以上氣體環境中,並且需要注意會有滑落、側翻的危險發生; 運輸過程中不能有碰撞或者擠壓,須保證溫度與濕度適中 [常溫 25℃,濕度在 50℃以內],不可導致材料變形或氧化。

X-ON Electronics

Largest Supplier of Electrical and Electronic Components

Click to view similar products for [USB Connectors](#) category:

Click to view products by [SOFNG](#) manufacturer:

Other Similar products are found below :

[10033527-N3112MLF](#) [17-210561](#) [GMCB05B11124H1EU](#) [17-200931](#) [65-647-8-BK-BU](#) [690-010-295-484](#) [73725-1191BLF](#) [950](#) [E8144-](#)
[B01021-L](#) [A-USB A-LP-SMT-C](#) [A-USB B-TOP-C](#) [MUSBA511N5](#) [MUSBB15131](#) [MUSBC111M5](#) [MUSBD11135](#) [217450-1](#) [CA 6 W LD](#)
[896-30-004-00-000000](#) [KUSBVX-BS1N-W30](#) [KUSBX-AP-KIT-SCBLK](#) [KUSBX-AS2N-W](#) [KUSBX-SMT2AP1S-W](#) [KUSBX-](#)
[SMTAS1NBTR](#) [KUSBX-SMTBS1NBTR](#) [30-498-6](#) [SK-60A-2](#) [17-200261](#) [17-210051](#) [1734082-1](#) [FK-37-32SL](#) [30-1574](#) [30-470](#) [30-489](#) [30-](#)
[541](#) [30-572-3](#) [30-9503](#) [M9177/2-1](#) [MAB 5 S](#) [MIKROE-1451](#) [33UBBR-04SW11R](#) [USBFTV2PEM2G](#) [USBFTVC6ZN](#) [USBFTVSCCG](#)
[KUSBX-AS2N-W30](#) [KUSBX-SLAS1N-W](#) [KUSBX-SLAS1N-W30](#) [1-1734084-2](#) [E8110-001-01](#) [MUSBC11135](#) [NK-27-32SL](#)