

Operation: 24PIN 贴片短体直立式 Type-C(3.0)连接器

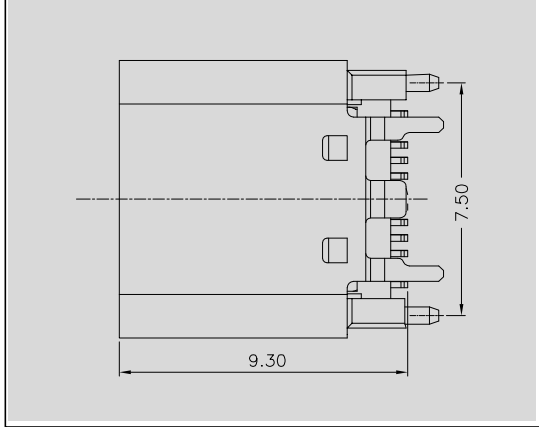
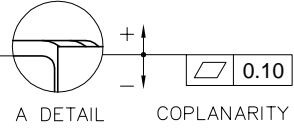
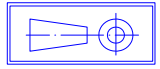
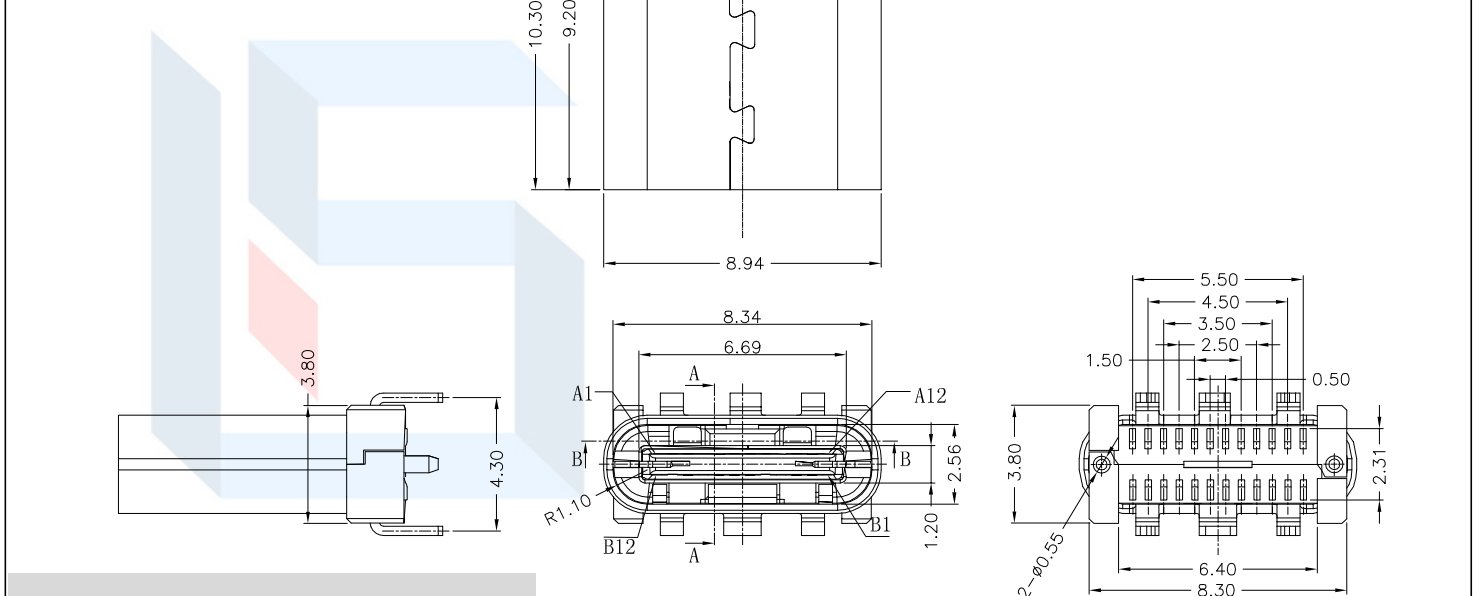


LTEM NO.: MC-318FB (短体) (Series)

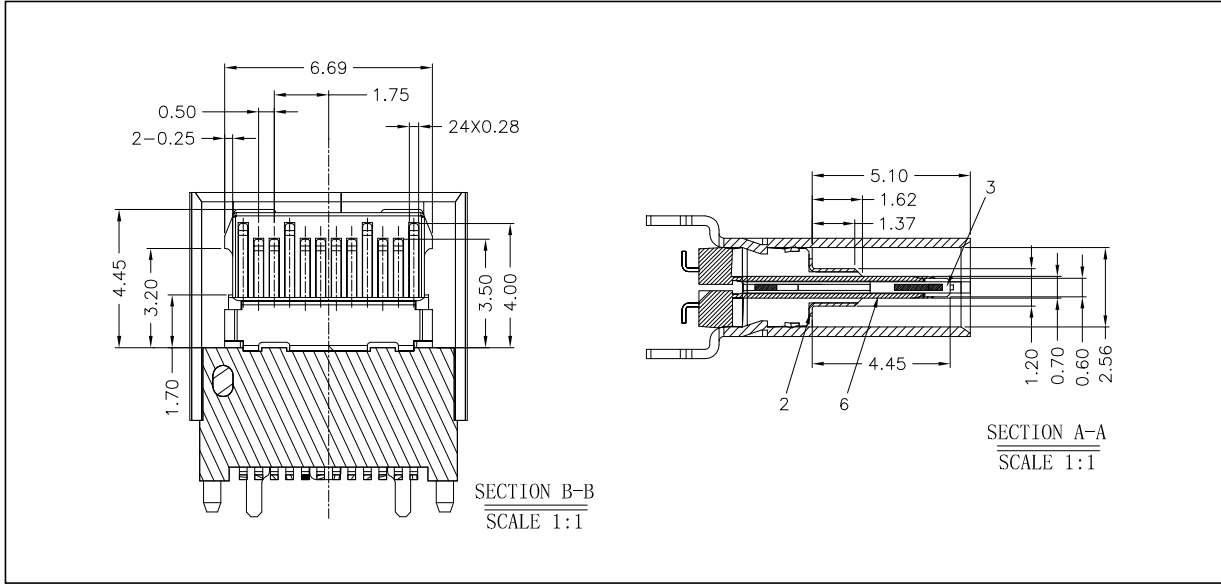
(L8.94×W3.80×H9.20 2.0-USB-CONNECTORS)

Unit:mm

DECIMALS		ANGLES	
.X	:±0.25	X.°	:±1.5°
.XX	:±0.15	X.X°	:±1.0°
.XXX	:±0.10	.XXX°	:±0.5°

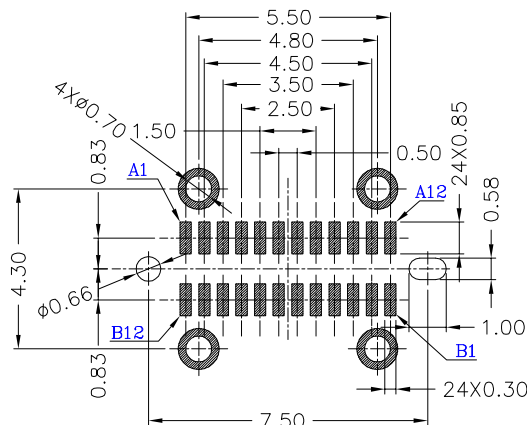


PROJECT	LEVEL	A[better product]	B[average product]
Electrical Properties	Contact Rating	3.0A, 100V AC	
	Initial Contact Resistance	100mΩ max.	
	Insulation Resistance	100MΩ min.500V DC	100MΩ min.300V DC
Durable Performance	Withstand Voltage	500V AC for 1 minute	350 V AC for 1 minut
	There No Load	6,000 Cycles	5,000 Cycles
	Rated Load	5,000 Cycles	4,000 Cycles
Storage temp.		-35℃~+75℃(Operating Temp:)	
Operating Force		IF:10.ON MAX.(EF:10.ON MIN.)	
Heat Resistance		IR Reflow:255℃,5sec. Manual :350℃,3sec.	



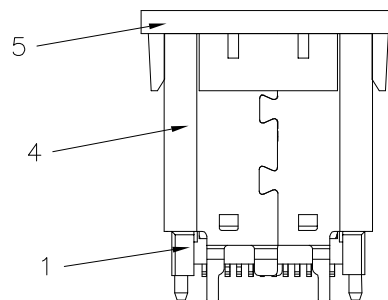
表面貼裝
精密部品 NICETY
可靠 STABILIZE
適合環保 RoHS

CIRCUIT BOARD SIZE
(Vertical view)



Assignment

Material declaration			
No	NAME	MATERIAL	REMARKS
①	TERMINAL HOUSING 基座	HIGH TEMPERATURE PLASTIC	BLACK/NATURE/GREEN
②	SPRING 弹片	STAINLESS【G/F】t=0.10	0.25 μm Ni PLATED OVERALL;
③	IRON HOUSING 胶芯	HIGH TEMPERATURE PLASTIC	UL 94V-0,COLOR:BLACK;
④	SHELL 外壳	STAINLESS【G/F】t=0.30	Ni PLATED
⑤	DUST COVER 防护盖	HIGH TEMPERATURE PLASTIC	UL 94V-0,COLOR:BLACK;
⑥	CONTACT 接触端子	COPPER ALLOY【G/F】t=0.15	C5191R-H (1u" MIN)



PIN ASSIGNMENTS

PIN	Signal NAME	Description	PIN	Signal NAME	Description
A 1	GND	Ground return	B12	GND	
A 2	SSTXp1	Positive half of first SuperSpeed TX differential pair	B11	SSRXn1	Positive half of second SuperSpeed RX differential pair
A 3	SSTXn1	Negative half of first SuperSpeed TX differential pair	B10	SSRXn1	Negative half of second SuperSpeed RX differential pair
A 4	V BUS	Bus Power	B 9	V BUS	Bus Power
A 5	CC1	Configuration Channel	B 8	RFU1	Reserved for Future Use (RFU)
A 6	Dp1	Positive half of the USB 2.0 differential pair-Position 1	B 7	Dn1	Negative half of the USB 2.0 differential pair-Position 1
A 7	Dn1	Negative half of the USB 2.0 differential pair-Position 1	B 6	Dp1	Positive half of the USB 2.0 differential pair-Position 1
A 8	RFU1	Reserved for Future Use (RFU)	B 5	CC1	Configuration Channel
A 9	V BUS	Bus Power	B 4	V BUS	Bus Power
A10	SSRXn2	Negative half of second SuperSpeed RX differential pair	B 3	SSTXn2	Negative half of first SuperSpeed TX differential pair
A11	SSRXn2	Positive half of second SuperSpeed RX differential pair	B 2	SSTXp2	Positive half of first SuperSpeed TX differential pair
A12	GND	Ground return	B 1	GND	Ground return

X-ON Electronics

Largest Supplier of Electrical and Electronic Components

Click to view similar products for [USB Connectors](#) category:

Click to view products by [SOFNG](#) manufacturer:

Other Similar products are found below :

[950](#) [A-USB A-LP-SMT-C](#) [A-USB B-TOP-C](#) [MUSBD11135](#) [17-200721](#) [217450-1](#) [KMBVX-TH-5S-B30](#) [KUSBX-AS2N-W](#) [KUSBX-SMT2AP1S-W30](#) [935](#) [957](#) [30-498-6](#) [SK-60A-2](#) [1734082-1](#) [30-470](#) [30-489](#) [30-541](#) [MAB 5 S](#) [A-USB A-2P-C](#) [MIKROE-1451](#)
[USBFTVSCCG](#) [1-1734084-2](#) [MUSBA81130](#) [NK-27-32SL](#) [NK-L8-22C-5/8](#) [10135326-001LF](#) [4198](#) [690-024-633-031](#) [UB-20PMFP-LC7001](#)
[17-200011](#) [UB-20AFMM-LL7A01](#) [CAP-WCCMLPB1](#) [CAP-WCCMLPC1](#) [2274475-3](#) [914-614A2025S10200](#) [USB3FTV7SAGF059](#)
[USB3FTV2SAZNF459](#) [USB3FTV7SAZNF459](#) [U221-041N-1WVS62-F5D](#) [HYCW153-USBD05-500B](#) [HYCW219-USBD05-075B](#)
[HYCW148-USBD05-117B](#) [HYCW149-USBD05-740B](#) [HYCW204-USBD05-108B](#) [HYCW214-USBA04-113B](#) [HYCW213-USBA04-113B](#)
[KMMX-BSMT35S-1-B30TR](#) [2345986-1](#) [10082141-N340LF](#) [10117836-011LF](#)