

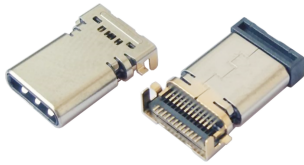
**Operation:** 贴片卧式 & 24PIN Type-C PLUG/沉板 1.0mm



**LTEM NO.:** MC-335 (3.1Type-沉板式公头)

(11.80L × 8.75W × 2.45H & DUL SMT LOW PCB TYPE)

## C-Universal Serial Bus Connectors



### Technical parameter

外焊 SMT+DIP

PROJECT	LEVEL	A[better product]	B[average product]
	Contact Rating	5A, 12V DC	
<b>Electrical Properties</b>	Initial Contact Resistance	30mΩ max.	50mΩ max.
	Insulation Resistance	100MΩ min.500V DC	Skey/PD: 100MΩ min.300V DC
<b>Durable Performance</b>	Withstand Voltage	350V AC for 1 minute	250 V AC for 1 minut
	There No Load	10,000 Cycles	8,500 Cycles
	Rated Load	8,500 Cycles	6,500 Cycles
	Storage temp.	-25℃~+75℃(Operating Temp: )	

側向導入 LATERAL

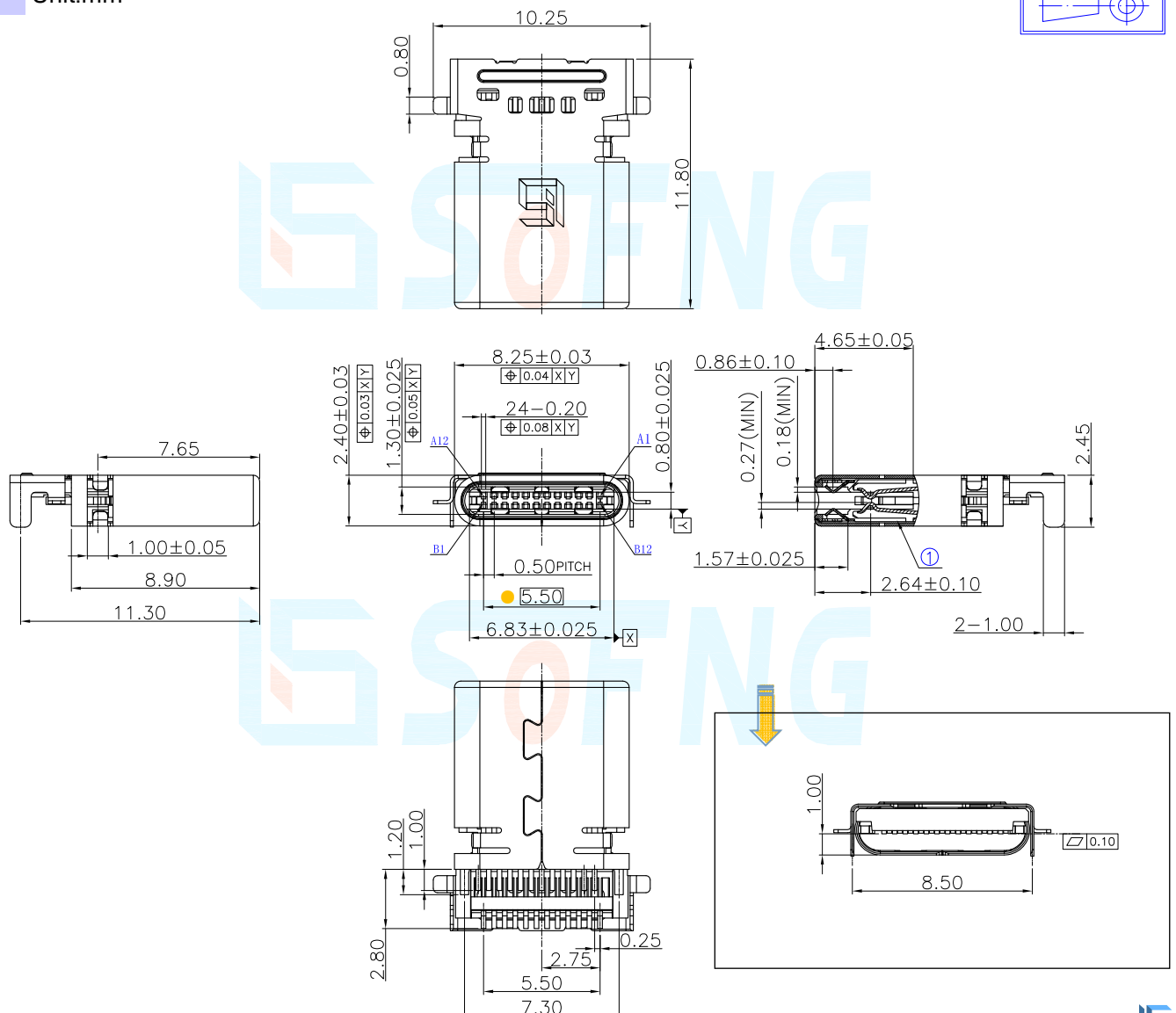
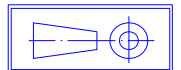
精密部品 NICETY

可靠 STABILIZE

環保材質 RoHS

Page1

Unit:mm



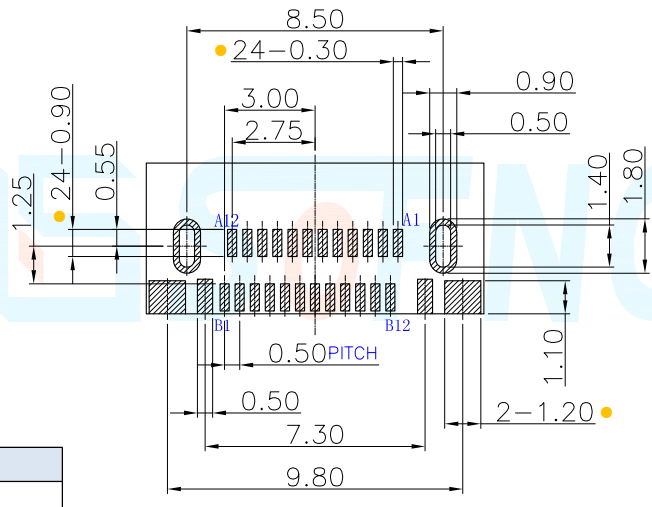
**Operating Force**

Inward  
Exiting

5.0~8.0N. (1N.=100gram-force)  
5.0~8.0N. (1N.=100gram-force)

**Solder-ability (Max.)**

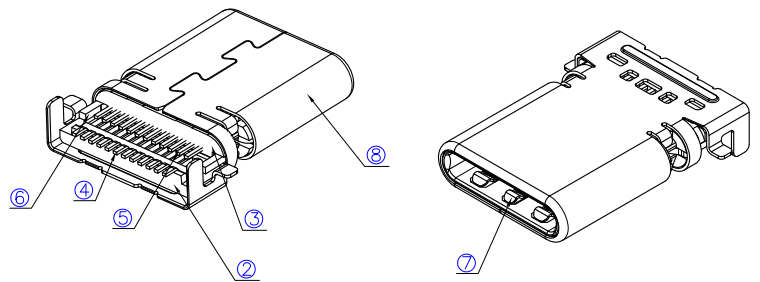
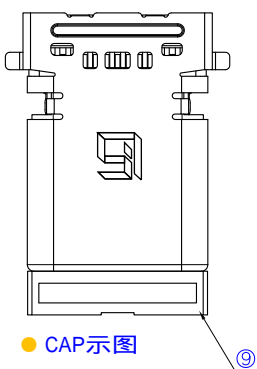
IR Reflow:255°C, 5sec. Manual :350°C, 3sec.



DECIMALS	ANGLES
X.X :±0.20	X.X :±2°
X.XX :±0.10	X.XX :±1.5°
X.XXX :±0.05	

**PIN ASSIGNMENTS**

PIN	Signal NAME	Description	PIN	Signal NAME	Description
A 1	GND	Ground return	B12	GND	Ground return
A 2	SSTXp1	Positive half of first SuperSpeed TX differential pair	B11	SSRXp1	Positive half of second SuperSpeed RX differential pair
A 3	SSTXn1	Negative half of first SuperSpeed TX differential pair	B10	SSRXn1	Negative half of second SuperSpeed RX differential pair
A 4	V BUS	Bus Power	B 9	V BUS	Bus Power
A 5	CC1	Configuration Channel	B 8	SBU2	Sideband Use (SBU)
A 6	Dp1	Positive half of the USB 2.0 differential pair-Position 1	B 7	Dn2	Negative half of the USB 2.0 differential pair-Position 2
A 7	Dn1	Negative half of the USB 2.0 differential pair-Position 1	B 6	Dp2	Positive half of the USB 2.0 differential pair-Position 2
A 8	SBU1	Sideband Use (SBU)	B 5	CC2	Configuration Channel
A 9	V BUS	Bus Power	B 4	V BUS	Bus Power
A10	SSRXn2	Negative half of second SuperSpeed RX differential pair	B 3	SSTXn2	Negative half of first SuperSpeed TX differential pair2
A11	SSRXp2	Positive half of second SuperSpeed RX differential pair	B 2	SSTXp2	Positive half of first SuperSpeed TX differential pair2
A12	GND	Ground return	B 1	GND	Ground return



Material declaration			
No.	NAME	MATERIAL	DESCRIPTION
① A	Housing	1	LCP(glass fiber filled)BK HIGH TEMP
② B	Insulator-A	1	LCP(glass fiber filled)BK HIGH TEMP
③ C	Insulator-B	1	LCP(glass fiber filled)BK HIGH TEMP
④ D	Terminal-A	12/F1+W10	COPPER ALLOY /Au Ni Plated(t=0.15mm)
⑤ E	Terminal-B	12/F1+W10	COPPER ALLOY /Au Ni Plated(t=0.15mm)
⑥ F	Latch	1	Stainless steel:t=0.3mm
⑦ G	Spring Sheet	2	COPPER ALLOY /Au Ni Plated(t=0.10mm)
⑧ H	Shell	1/S1+N5	STAINLESS STEEL(t=0.15mm)
⑨ I	Cover	1	LCP(glass fiber filled)BK HIGH TEMP

## X-ON Electronics

Largest Supplier of Electrical and Electronic Components

*Click to view similar products for [USB Connectors](#) category:*

*Click to view products by [SOFNG](#) manufacturer:*

Other Similar products are found below :

[10033527-N3112MLF](#) [17-210561](#) [GMCB05B11124H1EU](#) [17-200931](#) [65-647-8-BK-BU](#) [690-010-295-484](#) [73725-1191BLF](#) [950](#) [E8144-B01021-L](#) [A-USB A-LP-SMT-C](#) [A-USB B-TOP-C](#) [MUSBA511N5](#) [MUSBB15131](#) [MUSBC111M5](#) [MUSBD11135](#) [217450-1](#) [CA 6 W LD](#) [896-30-004-00-000000](#) [KUSBVX-BS1N-W30](#) [KUSBX-AP-KIT-SCBLK](#) [KUSBX-AS2N-W](#) [KUSBX-SMT2AP1S-W](#) [KUSBX-SMTAS1NBTR](#) [KUSBX-SMTBS1NBTR](#) [30-498-6](#) [SK-60A-2](#) [17-200261](#) [17-210051](#) [1734082-1](#) [FK-37-32SL](#) [30-1574](#) [30-470](#) [30-489](#) [30-541](#) [30-572-3](#) [30-9503](#) [M9177/2-1](#) [MAB 5 S](#) [MIKROE-1451](#) [33UBBR-04SW11R](#) [USBFTV2PEM2G](#) [USBFTVC6ZN](#) [USBFTVSCCG](#) [KUSBX-AS2N-W30](#) [KUSBX-SLAS1N-W](#) [KUSBX-SLAS1N-W30](#) [1-1734084-2](#) [E8110-001-01](#) [MUSBC11135](#) [NK-27-32SL](#)