

Operation: DIP 3.1 Type-C / 直立 & 夹板式



LTEM NO.: MC-336
(Type-C CONNECTORS)

C-Universal Serial Bus Connectors



Technical parameter

| PROJECT | LEVEL | A[better product] | B[average product] |
|-----------------------|----------------------------|-----------------------------|----------------------------|
| | | Contact Rating | |
| Electrical Properties | Initial Contact Resistance | 30mΩ max. | 50mΩ max. |
| | Insulation Resistance | 100MΩ min.500V DC | Skey/PD: 100MΩ min.300V DC |
| | Withstand Voltage | 500V AC for 1 minute | 350 V AC for 1 minut |
| Durable Performance | There No Load | 6,500 Cycles | 5,500 Cycles |
| | Rated Load | 5,500 Cycles | 4,500 Cycles |
| Storage temp. | | -25℃~+75℃(Operating Temp:) | |

表面插装 DIP

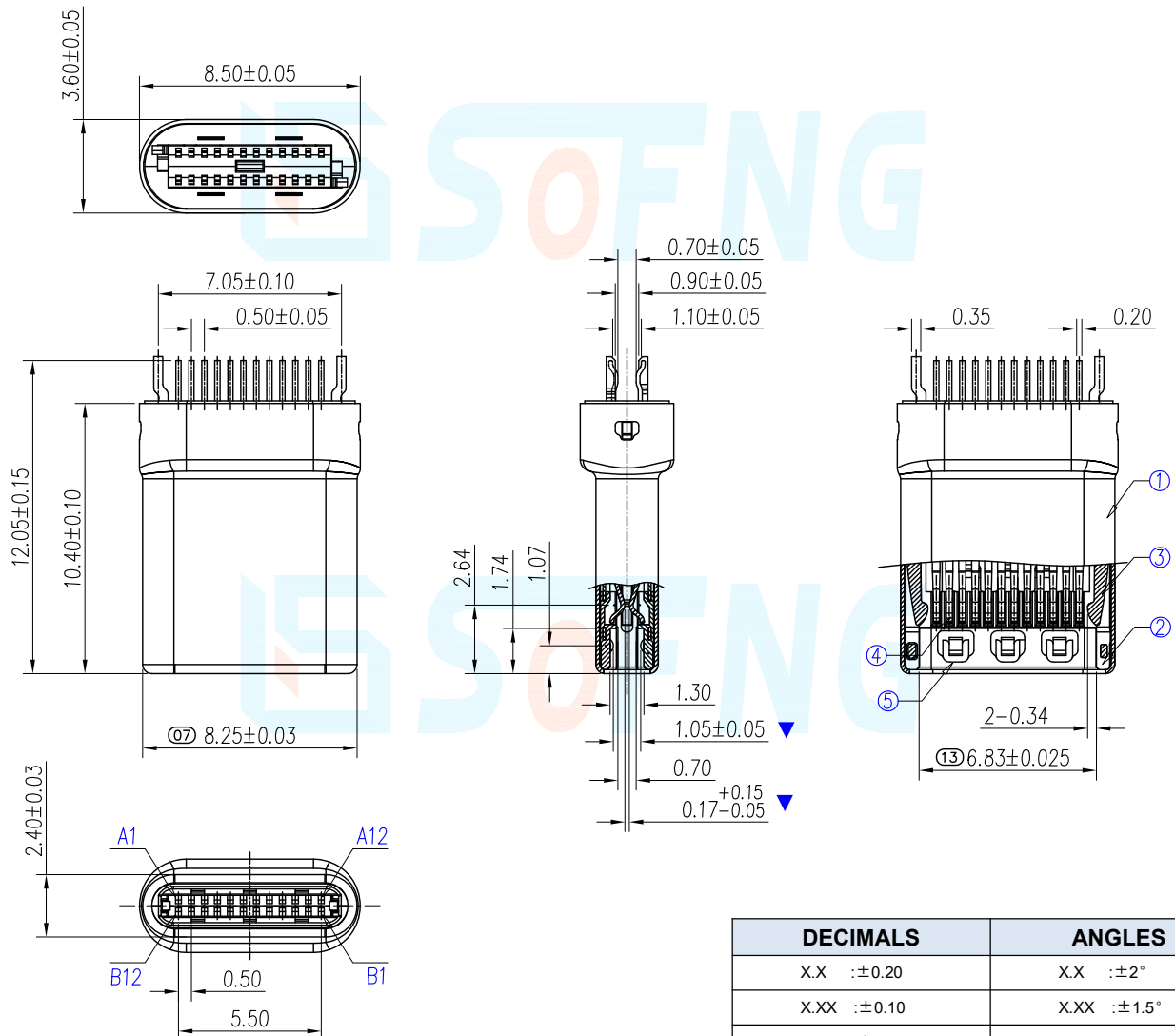
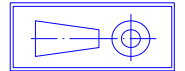
正向导入 LATERAL

精密部品 NICETY

可靠 STABILIZE

适合环保 RoHS

Unit:mm



| DECIMALS | ANGLES |
|--------------|-------------|
| X.X :±0.20 | X.X :±2° |
| X.XX :±0.10 | X.XX :±1.5° |
| X.XXX :±0.05 | |

Operating Force

Inward
Exiting

5.0~8.0N. (1N.=100gram-force)

5.0~8.0N. (1N.=100gram-force)

Solder-ability (Max.)

IR Reflow:255°C, 5sec.

Manual:350°C, 3sec.

| PIN | Signal NAME | Description | PIN | Signal NAME | Description |
|-----|-------------|---|-----|-------------|---|
| A 1 | GND | Ground return | B12 | GND | Ground return |
| A 2 | SSTXp1 | Positive half of first SuperSpeed TX differential pair | B11 | SSRXp1 | Positive half of second SuperSpeed RX differential pair |
| A 3 | SSTXn1 | Negative half of first SuperSpeed TX differential pair | B10 | SSRXn1 | Negative half of second SuperSpeed RX differential pair |
| A 4 | V BUS | Bus Power | B 9 | V BUS | Bus Power |
| A 5 | CC1 | Configuration Channel | B 8 | SBU2 | Sideband Use(SBU) |
| A 6 | Dp1 | Positive half of the USB 2.0 differential pair-Position 1 | B 7 | Dn2 | Negative half of the USB 2.0 differential pair-Position 2 |
| A 7 | Dn1 | Negative half of the USB 2.0 differential pair-Position 1 | B 6 | Dp2 | Positive half of the USB 2.0 differential pair-Position 2 |
| A 8 | SBU1 | Sideband Use(SBU) | B 5 | CC2 | Configuration Channel |
| A 9 | V BUS | Bus Power | B 4 | V BUS | Bus Power |
| A10 | SSRXn2 | Negative half of second SuperSpeed RX differential pair | B 3 | SSTXn2 | Negative half of first SuperSpeed TX differential pair2 |
| A11 | SSRXp2 | Positive half of second SuperSpeed RX differential pair | B 2 | SSTXp2 | Positive half of first SuperSpeed TX differential pair2 |
| A12 | GND | Ground return | B 1 | GND | Ground return |

Pin Definition



Material declaration

| No. | NAME | Type | Description |
|-----|------------|------|------------------------------------|
| ① | SHELL | | Stainless Steel; SUS316, T=0.15mm; |
| ② | HOUSING | | LCP Thermoplastic, UL94V-0; |
| ③ | LATCH | | Stainless Steel; SUS304, T=0.35mm; |
| ④ | CONTACT | | Copper Alloy; AuNiSn; |
| ⑤ | EMC SPRING | | Stainless Steel; SUS304, T=0.10mm; |



本品不屬於危害性廢棄物,須丟棄時可以委託回收商予以回收再生處理。
Products do not belong to •

注記 NOTICE

1. 碩方公司擁有最終解釋權; The company reserves the right of final interpretation;
2. 文件禁止外洩、轉載; Leaked and reproduced prohibited;
3. 未經授權修改無效。Modify is invalid.

運送時本產品不要直接與水、酸鹼性化學物質接觸,或放置於含有以上氣體環境中,並且需要注意會有滑落、側翻的危險發生; 運輸過程中不能有碰撞或者擠壓,須保證溫度與濕度適中 [常溫 25°C, 濕度在 50°C 以內], 不可導致材料變形或氧化。

X-ON Electronics

Largest Supplier of Electrical and Electronic Components

Click to view similar products for [USB Connectors](#) category:

Click to view products by [SOFNG](#) manufacturer:

Other Similar products are found below :

[10033527-N3112MLF](#) [17-210561](#) [GMCB05B11124H1EU](#) [17-200931](#) [65-647-8-BK-BU](#) [690-010-295-484](#) [73725-1191BLF](#) [950](#) [E8144-B01021-L](#) [A-USB A-LP-SMT-C](#) [A-USB B-TOP-C](#) [MUSBA511N5](#) [MUSBB15131](#) [MUSBC111M5](#) [MUSBD11135](#) [217450-1](#) [CA 6 W LD](#)
[896-30-004-00-000000](#) [KUSBVX-BS1N-W30](#) [KUSBX-AP-KIT-SCBLK](#) [KUSBX-AS2N-W](#) [KUSBX-SMT2AP1S-W](#) [KUSBX-SMTAS1NBTR](#) [KUSBX-SMTBS1NBTR](#) [30-498-6](#) [SK-60A-2](#) [17-200261](#) [17-210051](#) [1734082-1](#) [FK-37-32SL](#) [30-1574](#) [30-470](#) [30-489](#) [30-541](#) [30-572-3](#) [30-9503](#) [M9177/2-1](#) [MAB 5 S](#) [MIKROE-1451](#) [33UBBR-04SW11R](#) [USBFTV2PEM2G](#) [USBFTVC6ZN](#) [USBFTVSCCG](#)
[KUSBX-AS2N-W30](#) [KUSBX-SLAS1N-W](#) [KUSBX-SLAS1N-W30](#) [1-1734084-2](#) [E8110-001-01](#) [MUSBC11135](#) [NK-27-32SL](#)