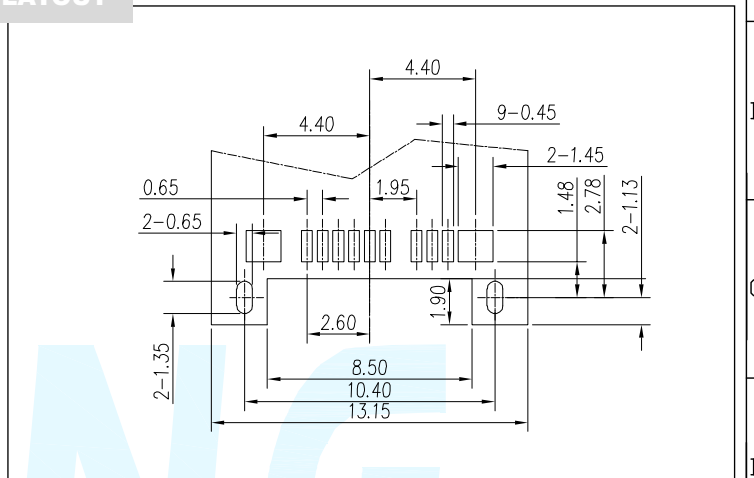


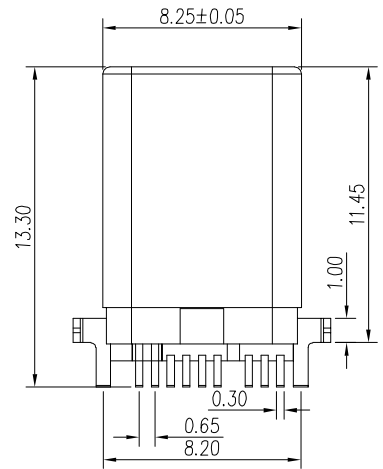
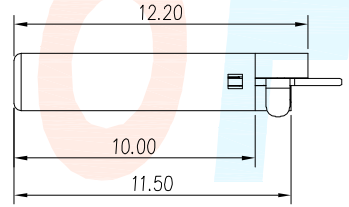
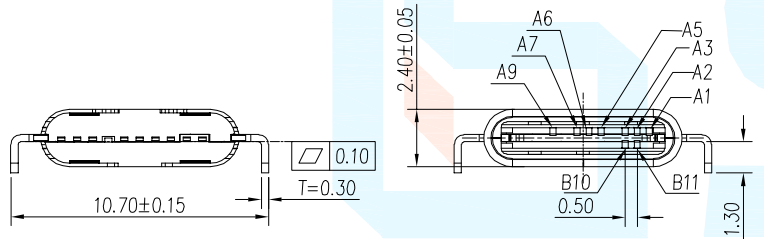
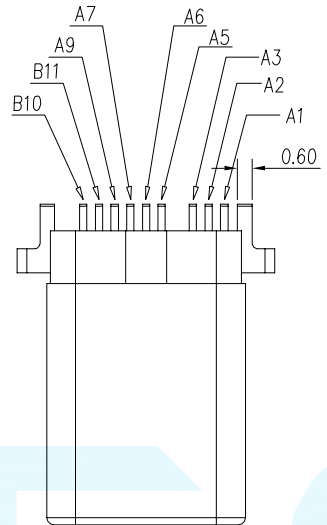
RoHS Compliant

REVISION			
LTR	DESCRIPTION	DATE	APP
A0	NEW RELEASE	05/20/2020	PECK

P.C.B LAYOUT



A12	A11	A10	A9	A8	A7	A6	A5		A3	A2	A1
			VBUS		D-	D+	CC		TX1-	TX1+	GND
									RX1-	RX1+	
B1	B2	B3	B4	B5	B6	B7	B8	B9	B10	B11	B12



PRODUCT MEET THE REQUEST OF THE ROHS

MATTER	RoHs ( PPM )
Cd	≤ 100
Pb	≤ 1000
Hg	≤ 1000
Cr6+	≤ 1000
PBB	≤ 1000
PBDE	≤ 1000

Specification:

- Electrical Characteristics:
  - Contact Current Rating: 3 Amperes Max.
  - Rated Voltage: 30V Max.
  - Dielectric Withstanding Voltage: AC 100V r.m.s.
  - Insulation Resistance: 100 MΩ Minimum.
  - Contact Resistance: 40 mΩ Maximum.
- Environmental:
  - Operating Temperature: -30°C~+85°C.
- Mechanical Characteristics:
  - Insertion Force: 20N MAX.
  - Withdrawal Force: 5~20N.
  - Durability Cycles: 10000 Cycles.

5	EMC SPRING	Stainless Steel; SUS201, T=0.10mm;
4	CONTACT	Copper Alloy; AuNiSn;
3	LATCH	Stainless Steel; SUS301, T=0.3mm;
2	HOUSING	LCP Thermoplastic, UL94V-0;
1	SHELL	Stainless Steel; SUS316, T=0.15mm;
NO.	NAME	DESCRIPTION

DIMENSION CLASSIFICATION		<b>台灣碩方精密電子科技有限公司</b> TAIWAN SOFNG PRECISION ELECTRONIC CO., LTD		
■ : CRITICAL ☒ : MAJOR		<b>開關, 連接器</b> <b>SOFNG</b>		
TOLERANCE TABLE		TITLE	MC-339 TYPE-C公头卧贴 沉板式 拉伸外壳 9PIN	
.X	± 0.40	PART NO.	MC-339	SERIES SD106
.XX	± 0.25	APPROVED	Peck	DWG NO. SOF-G006
.XXX	± 0.10	CHECKED	Paul	SCALE 1:1 UNIT mm SIZE A4
ANGLE	± 2°	DRAWIN	David	REV AO SHEET NO. 1/1

## X-ON Electronics

Largest Supplier of Electrical and Electronic Components

*Click to view similar products for [USB Connectors](#) category:*

*Click to view products by [SOFNG](#) manufacturer:*

Other Similar products are found below :

[950](#) [MUSBD11135](#) [17-200721](#) [217450-1](#) [KMBVX-TH-5S-B30](#) [KUSBX-AS2N-W](#) [KUSBX-SMT2AP1S-W30](#) [935](#) [957](#) [30-498-6](#) [SK-60A-2](#)  
[1734082-1](#) [30-470](#) [30-489](#) [30-541](#) [A-USB A-2P-C](#) [MIKROE-1451](#) [USBFTVSCCG](#) [1-1734084-2](#) [10135326-001LF](#) [4198](#) [USB-A-D-VT](#)  
[USB-A-S-RA-TSMT](#) [1310-1023-02](#) [690-024-633-031](#) [UB-20PMFP-LC7001](#) [17-200011](#) [UB-20AFMM-LL7A01](#) [1040870124](#) [CAP-](#)  
[WCCMLPB1](#) [CAP-WCCMLPC1](#) [2274475-3](#) [UB-20BMFA-SL8001](#) [914-614A2025S10200](#) [USB3FTV7SAGF059](#) [ZX40-B-5S-1500-](#)  
[STDA\(30\)](#) [GSB3116344HR](#) [USB3FTV2SAZNF459](#) [USB3FTV7SAZNF459](#) [U221-041N-1WVS62-F5D](#) [HYCW153-USBD05-500B](#)  
[HYCW219-USBD05-075B](#) [HYCW148-USBD05-117B](#) [HYCW149-USBD05-740B](#) [HYCW204-USBD05-108B](#) [HYCW214-USBA04-113B](#)  
[HYCW213-USBA04-113B](#) [UB-20AMFM-SL7A01](#) [KMMX-BSMT35S-1-B30TR](#) [2345986-1](#)