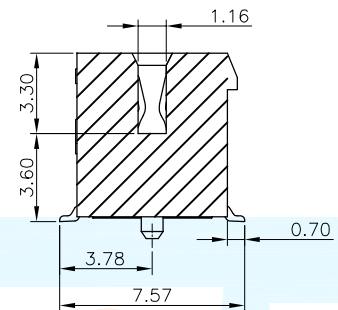
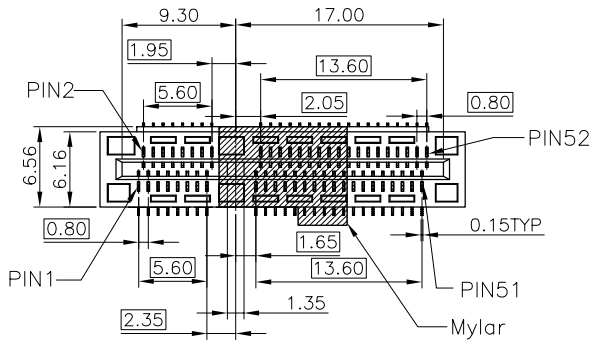
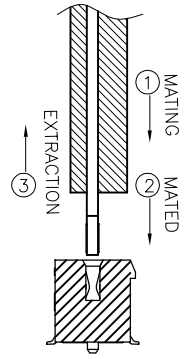
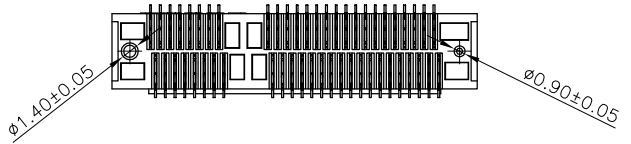
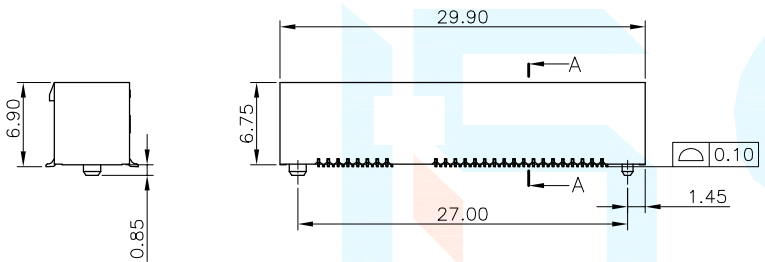


REVISION			
LTR	DESCRIPTION	DATE	APP
A0	NEW RELEASE	05/20/2020	PECK



SECTION A-A
SCALE 2:1

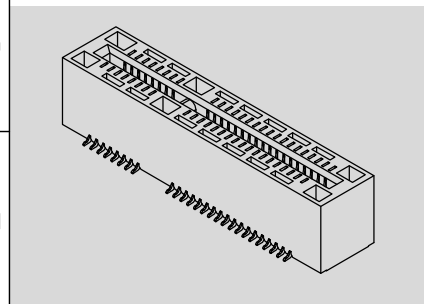


HOW TO MATE AND UNMATE
MATE: ① → ②
UNMATE: ③

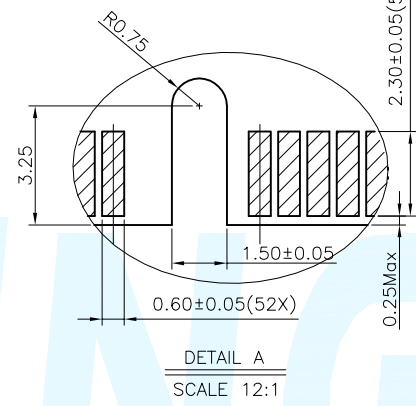
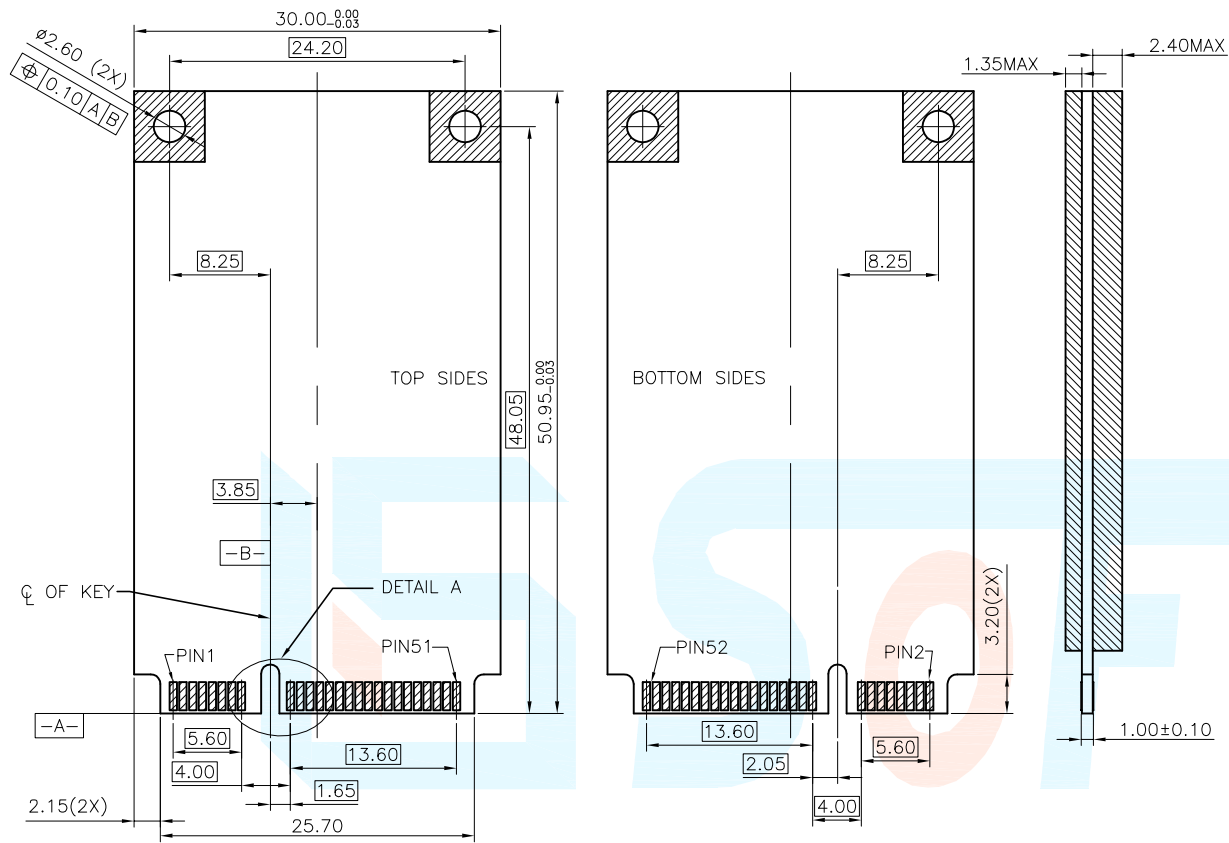
NOTES:

- MATERIAL:
 - HOUSING: LCP+40%GF,UL94V-0, BLACK.
 - CONTACT: BRASS C2680 T=0.15mm.
- FINISH:
 - CONTACTS:
 - 50u"MIN Ni UNDER PLATED OVER ALL.
 - Au PLATING ON CONTACT AREA (SEE TABLE),
- MECHANICAL PERFORMANCE,
 - MATING & UNMATING FORCE: 2.3 Kgf MAX.
- ELECTRICAL PERFORMANCE,
 - VOLTAGE RATING: 25 V AC PER CONTACT. CURRENT RATING: 0.5 A.
 - LLCR: INITIAL 55m OHM MAX PER CONTACT.. FINAL 20m OHM MAX
 - INSULATION RESISTANCE: 500M OHM MIN
 - DIELECTRIC WITHSTAND VOLTAGE: AC 300V FOR 1 MINUTE BETWEEN ADJACENT CONTACTS. NO BREAKDOWN OR FLASH. CURRENT LEAKAGE: 1mA.
- IR REFLOW:
 - THE PEAK TEMPRATURE ON THE BOARD SHALL BE MAINTAINED FOR 10 SECONDS AT 250±10°C, REFLOW TEMP: 225°C, 60 SECONDS.

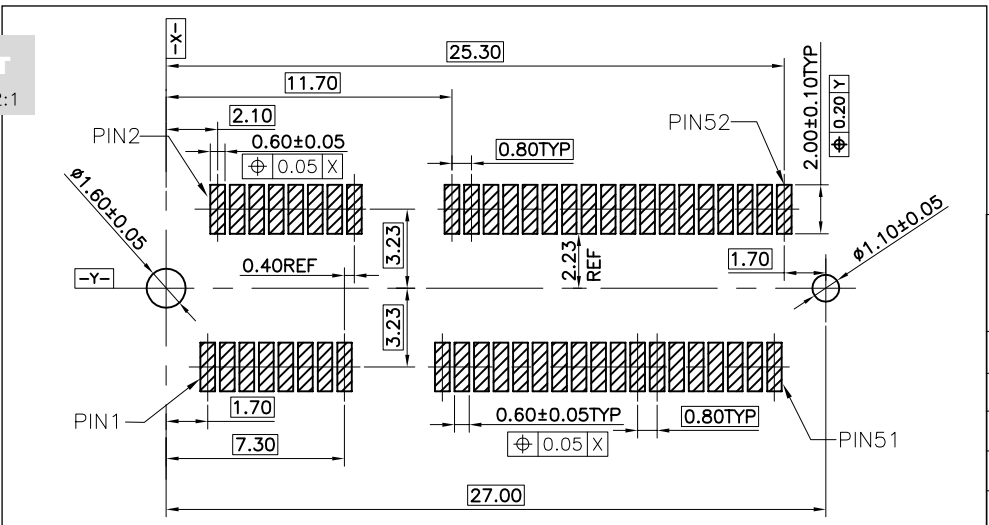
DIMENSION CLASSIFICATION		台灣碩方精密電子科技有限公司 TAIWAN SOFNG PRECISION ELECTRONIC CO., LTD		SOFNG	
■ : CRITICAL ☒ : MAJOR		TITLE		PCIE-52P69L 立贴式 H6.9mm腹膜52PCIE连接器	
TOLERANCE TABLE		PART NO.		SERIES	
.X	± 0.40	PCIE-52P69L		SD106	
.XX	± 0.25	APPROVED	Peck	DWG NO.	SOF-G006
.XXX	± 0.10	CHECKED	Paul	SCALE 1:1	UNIT mm SIZE A4
ANGLE	± 2°	DRAWIN	David	REV AO	SHEET NO. 1/1



REVISION			
LTR	DESCRIPTION	DATE	APP
A0	NEW RELEASE	05/20/2020	PECK

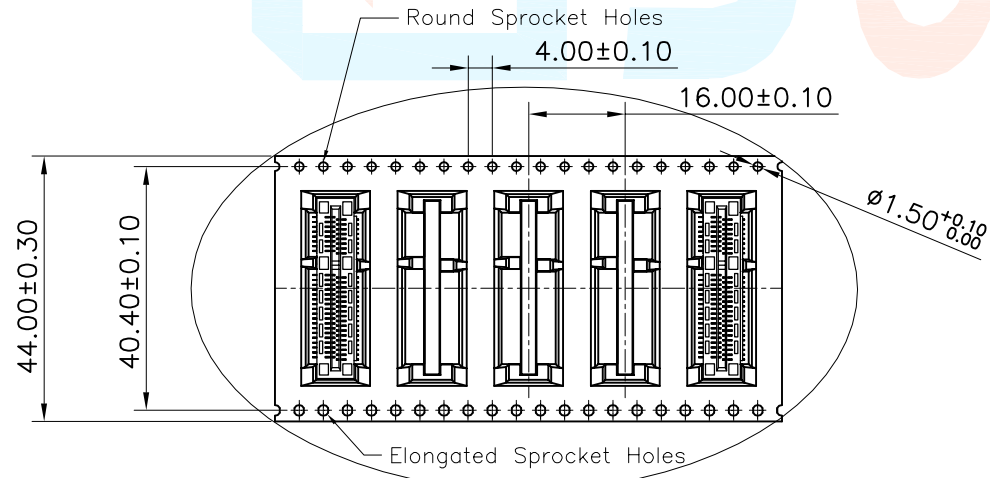
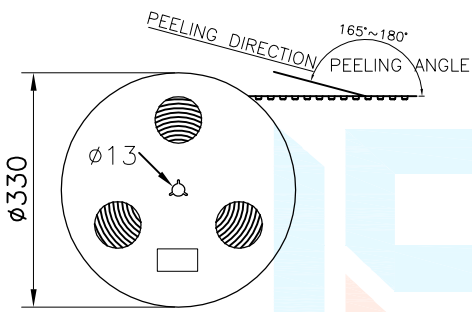
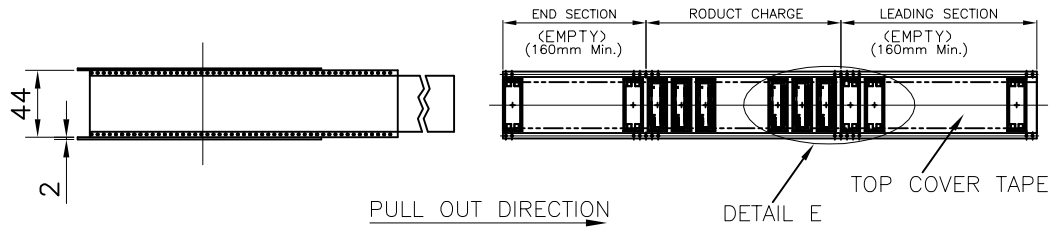


P.C.B LAYOUT
TOP VIEW SCALE 2:1



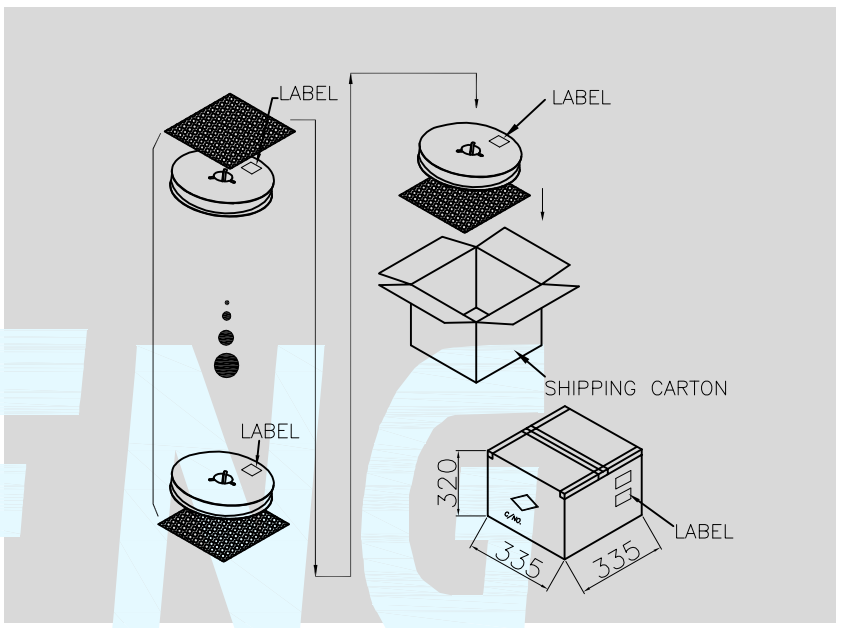
DIMENSION CLASSIFICATION		台灣碩方精密電子科技有限公司 TAIWAN SOFNG PRECISION ELECTRONIC CO., LTD		開關, 連接器 SOFNG	
■	: CRITICAL	TITLE	PCI E-52P69L 立貼式 H6.9mm腹膜52PCI E连接器		SERIES SD106
☒	: MAJOR	TOLERANCE TABLE		PART NO.	PCI E-52P69L
.X	± 0.40	APPROVED	Peck	DWG NO.	SOF-G006
.XX	± 0.25	CHECKED	Paul	SCALE 1:1	UNIT mm SIZE A4
.XXX	± 0.10	DRAWN	David	REV	AO SHEET NO. 1/1
ANGLE	± 2°				

REVISION			
LTR	DESCRIPTION	DATE	APP
A0	NEW RELEASE	05/20/2020	PECK



FEEDING DIRECTION →

DETAIL E
SCALE 4:1



- NOTES:
- MATERIAL :
 - CARRY TAPE: PS
 - COVER TAPE: PET
 - SHIPPING CARTON: CORRUGATED FIBER
 - DIMENSION :
 - REEL: W=44.5, $\phi A=330$
 - SHIPPING CARTON: L=335, W=335, H=320 (INNER)
 - QUANTITY :
 - PRIMARY PACKING: 600 PCS/REEL
 - SECONDARY PACKING: 4 REELS/CARTON(2400PCS)
 - PEELING RESISTANCE: 20gf~120gf.
 - PEELING SPEED: 300mm/minutes.

DIMENSION CLASSIFICATION		台灣碩方精密電子科技有限公司		TAIWAN SOFNG PRECISION ELECTRONIC CO., LTD		SOFNG	
■ : CRITICAL		TITLE		PCIE-52P69L 立貼式		開關, 連接器	
☒ : MAJOR		TOLERANCE TABLE		H6.9mm腹膜52PCIE连接器		SOFNG	
.X	± 0.40	PART NO.	PCIE-52P69L		SERIES	SD106	
.XX	± 0.25	APPROVED	Peck	DWG NO.	SOF-G006		
.XXX	± 0.10	CHECKED	Paul	SCALE	1:1	UNIT	mm
ANGLE	± 2°	DRAWIN	David	REV	AO	SHEET NO.	1/1

X-ON Electronics

Largest Supplier of Electrical and Electronic Components

Click to view similar products for [Standard Card Edge Connectors](#) category:

Click to view products by [SOFNG](#) manufacturer:

Other Similar products are found below :

[CR7E-30DB-3.96E\(72\)](#) [6565204-6](#) [1437274-4](#) [1-582587-1](#) [284-0102-12100](#) [286-0052-12101A](#) [306022901000000](#) [A6D22DS29C2](#) [1926088-2](#) [245-062-520-350](#) [287-0032-12101](#) [306-028-525-102](#) [307-072-526-202](#) [330-030-500-278](#) [345-060-559-303](#) [534671-1](#) [341-240-317](#) [345-044-500-300](#) [346-240-318](#) [C7D10DS29C1M133](#) [395-100-524-300](#) [09-07-2032](#) [10035388-802LF](#) [10115859-011LF](#) [10122859-009LF](#) [101269333204245CLF](#) [530555-1](#) [66925-516LF](#) [5145409-2](#) [73726-0005](#) [66308-1](#) [EBC05DRXN](#) [KSLX-62-BR](#) [CE100F26-7-C](#) [CE100F28-3-D](#) [CE100F28-4-D](#) [CE156F22-9-C](#) [CT100F24-3-D](#) [CT100F24-6-C](#) [MLSS100-12-C](#) [SCC100F-11-C](#) [SCC100F-20-C](#) [SCC100F-24-C](#) [SCC100F-25-C](#) [3-530656](#) [2512250177](#) [285-0112-12300](#) [346-068-556-300](#) [284-0492-11000](#) [287-0032-12301](#)