

REVISION			
LTR	DESCRIPTION	DATE	APP
A0	NEW RELEASE	04/11/2023	PECK

Note:

1.Material:

- 1.1 Housing: High temperature thermoplastic,UL94v-0
- 1.2 Orbit: High temperature thermoplastic,UL94v-0
- 1.3 Contact: copper alloy;
Gold plated contact area;Tin plated solder area
- 1.4 Shell:Stainless;Ni plated allover;
Gold plated solder area

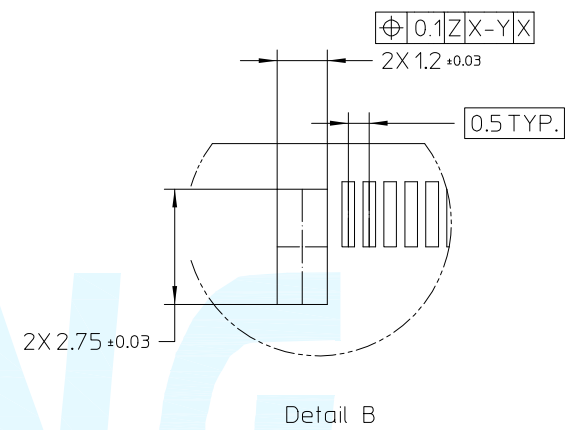
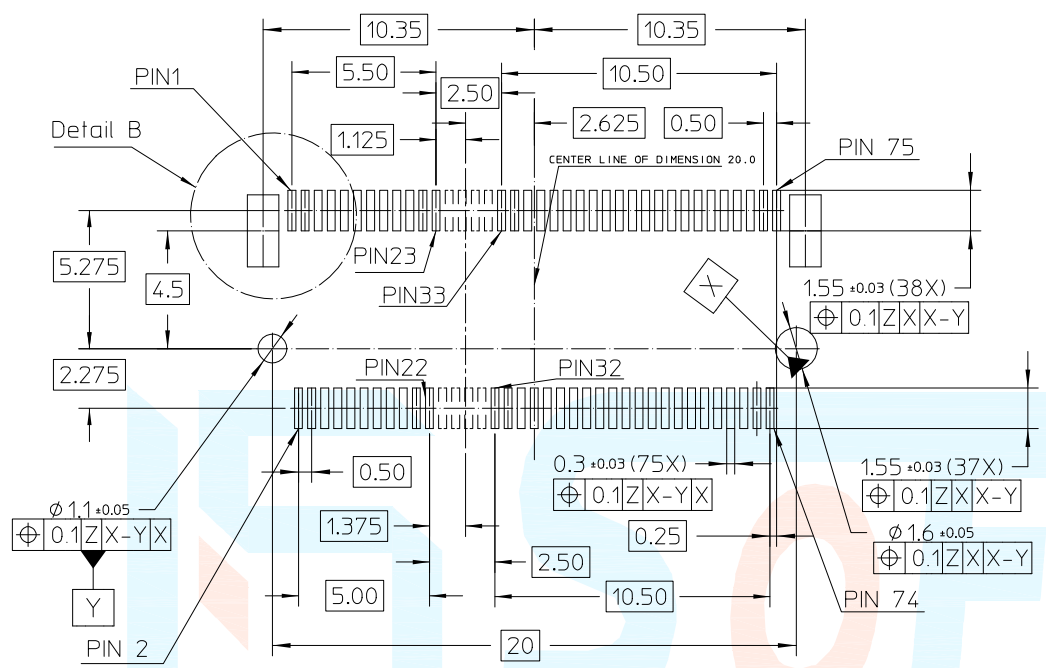
2.Specification:

- 2.1 Current rating: 0.5A Max
- 2.2 Voltage rating: 5V DC
- 2.3 Dielectric withstanding voltage:
500V(AC) for 1 min.
- 2.4 Contact resistance: 100mΩ Max.
- 2.5 Insulation resistance: 1000MΩ min.
- 2.6 Temperature range: -25°C~85°C
- 2.7 Mating cycle:5000 cycles min
- 2.8 Insert force: 40N Max
Extration force: 0.5~40N

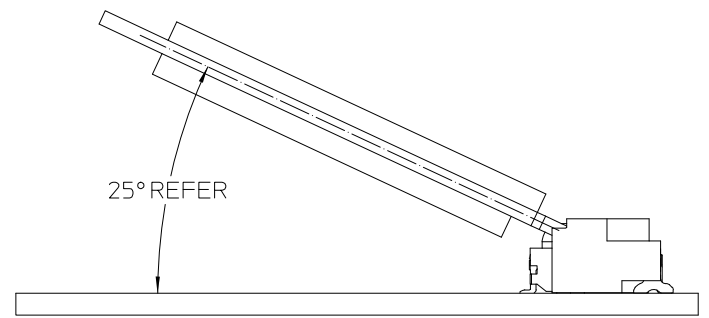
H
3.2mm
4.2mm

DIMENSION CLASSIFICATION		台灣碩方精密電子科技有限公司 TAIWAN SOFNG PRECISION ELECTRONIC CO., LTD		SOFNG	
■ : CRITICAL	☒ : MAJOR	TITLE	PCIE-67C32H M.2连接器 67PIN 二一分结构	開關, 连接器	
TOLERANCE TABLE		PART NO.	PCIE-67C32H	SERIES	SD106
.X	± 0.40	APPROVED	Peck	DWG NO.	
.XX	± 0.25	CHECKED	Paul	SCALE 1:1	UNIT mm SIZE A4
.XXX	± 0.10	DRAWIN	David	REV AO	SHEET NO. 1/3
ANGLE	± 2°				

REVISION			
LTR	DESCRIPTION	DATE	APP
A0	NEW RELEASE	04/11/2023	PECK

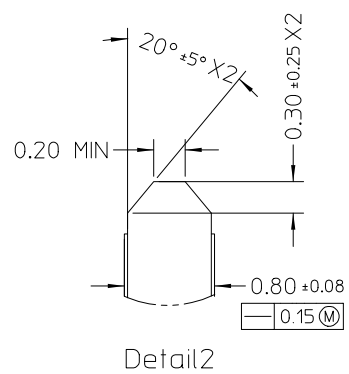
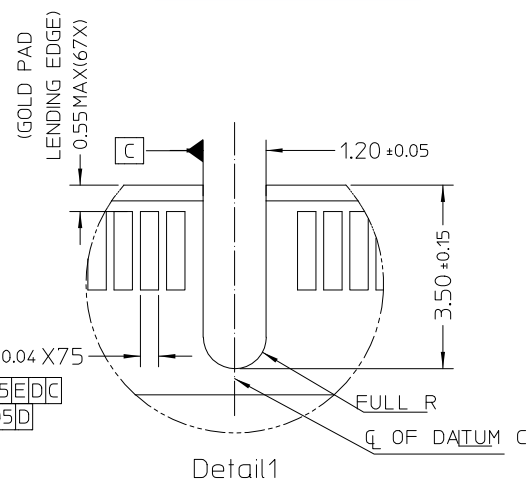
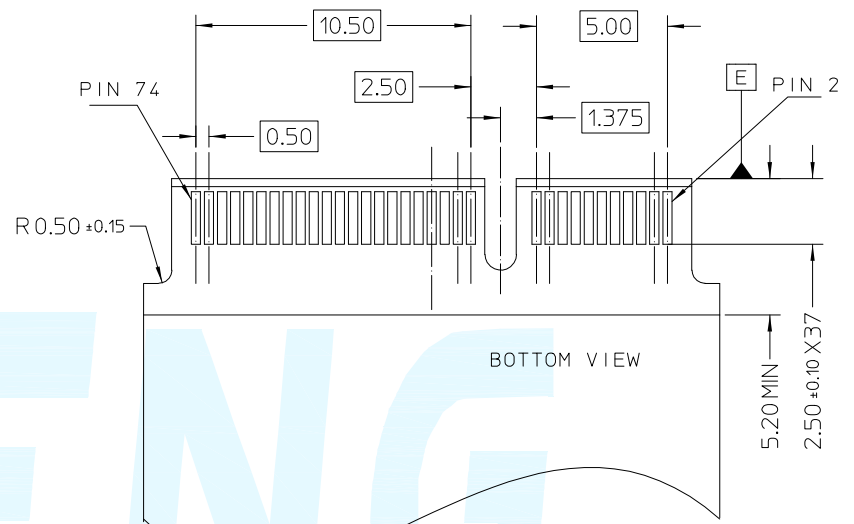
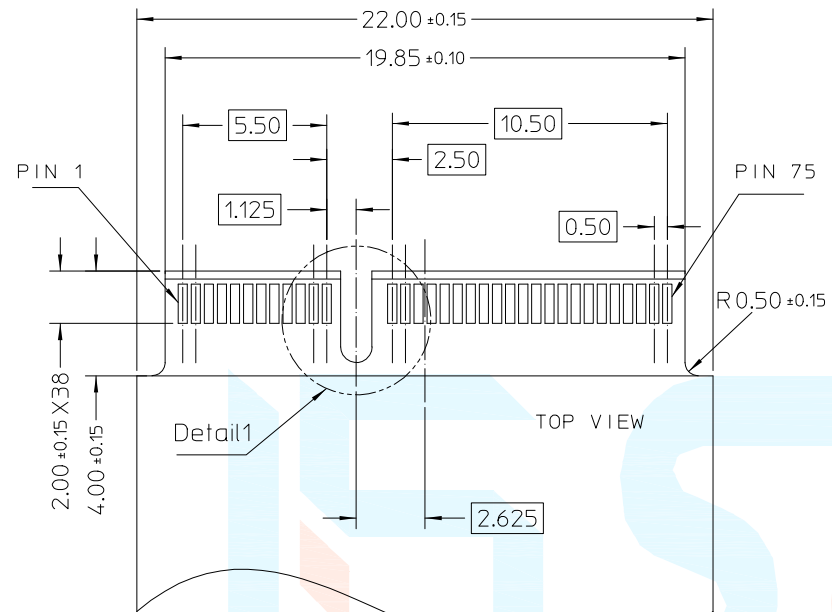


RECOMMENDED NGFF MINI CARD MOUNTING TYPE
 DATUM Z: PCB SOLDER SURFACE
 TOLERANCE: ±0.05



DIMENSION CLASSIFICATION		台灣碩方精密電子科技有限公司 TAIWAN SOFNG PRECISION ELECTRONIC CO., LTD		SOFNG	
■ : CRITICAL		TITLE		PCIE-67C32H M.2连接器 67PIN 二一分结构	
☒ : MAJOR		PART NO.		PCIE-67C32H	
TOLERANCE TABLE		APPROVED		DWG NO.	
.X	± 0.40	CHECKED		SCALE 1:1	
.XX	± 0.25	DRAWIN		UNIT mm	
.XXX	± 0.10	REV		SIZE A4	
ANGLE	± 2°	REV		SHEET NO. 2/3	

REVISION			
LTR	DESCRIPTION	DATE	APP
A0	NEW RELEASE	04/11/2023	PECK



DIMENSION CLASSIFICATION		台灣碩方精密電子科技有限公司		SOFNG
■ : CRITICAL ☒ : MAJOR		TAIWAN SOFNG PRECISION ELECTRONIC CO., LTD		
TOLERANCE TABLE		TITLE	PCIE-67C32H M.2连接器 開關, 连接器	
		67PIN 二一分结构		
.X	± 0.40	PART NO.	PCIE-67C32H	SERIES SD106
.XX	± 0.25	APPROVED	Peck	DWG NO.
.XXX	± 0.10	CHECKED	Paul	SCALE 1:1 UNIT mm SIZE A4
ANGLE	± 2°	DRAWIN	David	REV AO SHEET NO. 3/3

X-ON Electronics

Largest Supplier of Electrical and Electronic Components

Click to view similar products for [Standard Card Edge Connectors](#) category:

Click to view products by [SOFNG](#) manufacturer:

Other Similar products are found below :

[CR7E-30DB-3.96E\(72\)](#) [6565204-6](#) [1437274-4](#) [1-582587-1](#) [284-0102-12100](#) [286-0052-12101A](#) [306022901000000](#) [A6D22DS29C2](#) [1926088-2](#) [245-062-520-350](#) [287-0032-12101](#) [306-028-525-102](#) [307-072-526-202](#) [330-030-500-278](#) [345-060-559-303](#) [534671-1](#) [341-240-317](#) [345-044-500-300](#) [346-240-318](#) [C7D10DS29C1M133](#) [395-100-524-300](#) [09-07-2032](#) [10035388-802LF](#) [10115859-011LF](#) [10122859-009LF](#) [101269333204245CLF](#) [530555-1](#) [66925-516LF](#) [5145409-2](#) [73726-0005](#) [66308-1](#) [EBC05DRXN](#) [KSLX-62-BR](#) [CE100F26-7-C](#) [CE100F28-3-D](#) [CE100F28-4-D](#) [CE156F22-9-C](#) [CT100F24-3-D](#) [CT100F24-6-C](#) [MLSS100-12-C](#) [SCC100F-11-C](#) [SCC100F-20-C](#) [SCC100F-24-C](#) [SCC100F-25-C](#) [3-530656](#) [2512250177](#) [285-0112-12300](#) [346-068-556-300](#) [284-0492-11000](#) [287-0032-12301](#)