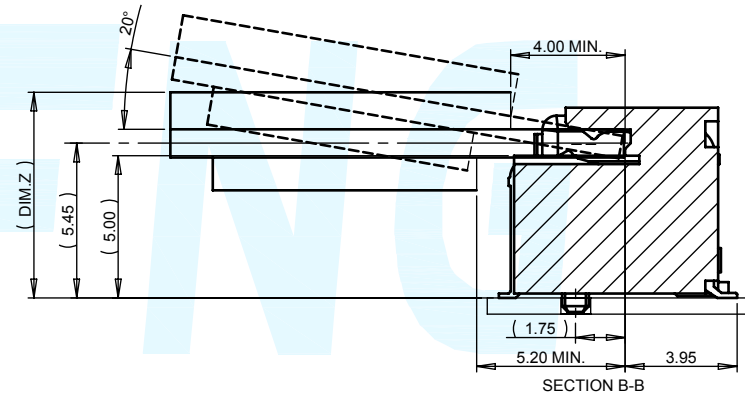
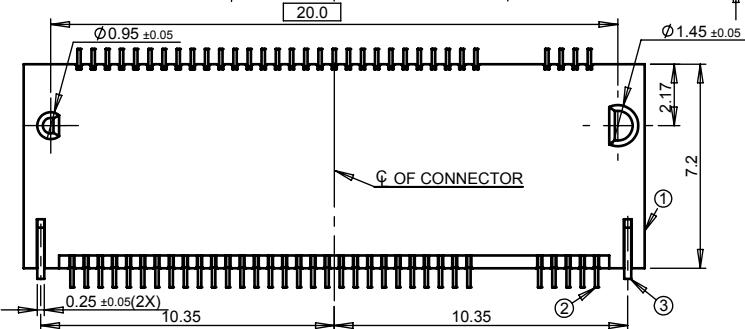
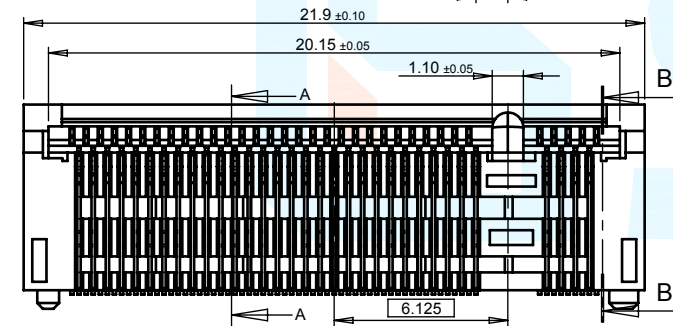
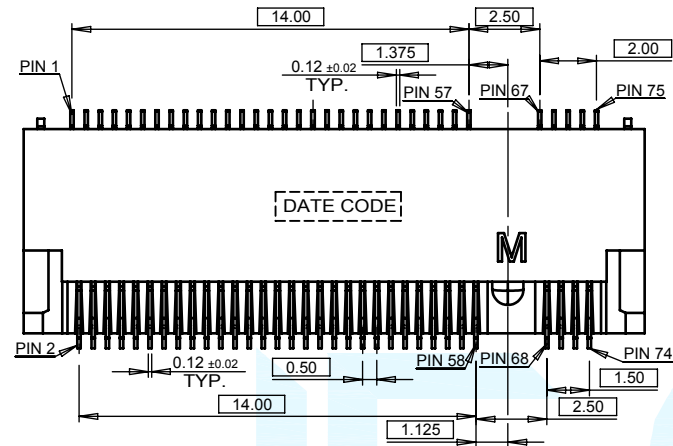


SOLIDWORK GENERATED DRAWING, DON'T CHANGE BY HAND

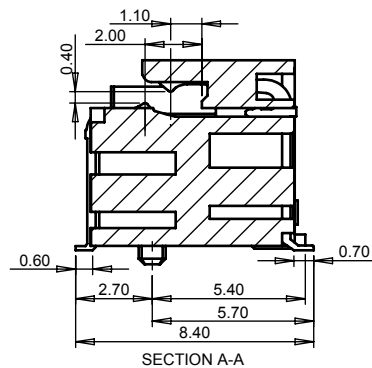
REVISION			
LTR	DESCRIPTION	DATE	APP
A0	NEW RELEASE	08/27/2021	PECK

NOTES:

- ELECTRICAL CHARACTERISTICS:**
 - 1.1 CONTACT CURRENT RATING: 0.5 AMPERE MAX. PER PIN.
 - 1.2 VOLTAGE RATING: 50V AC.
 - 1.3 INSULATION RESISTANCE :500 MEGAOHMS MIN. AT 500V DC.
 - 1.4 DIELECTRIC WITHSTANDING VOLTAGE: 300V AC RMS AT 60Hz, FOR 1 MINUTE.
 - 1.5 CONTACT RESISTANCE: 55 MILLIOHMS MAX. PER PIN INITIAL.
20 MILLIOHMS MAX. PER PIN AFTER FULL ENVIRONMENT TESTING.
- MECHANICAL CHARACTERISTICS:** DURABILITY: 60 MATING CYCLES.
- OPERATION TEMPERATURE:** -40 °C TO +80 °C.
- RECOMMENDED PROCESS CONDITION:** SMT, PEAK TEMPERATURE: 260 °C, 10~20S.
- PLEASE CONTACT FOXCONN SALES REPRESENTATIVE TO VERIFY PRODUCT DETAIL & AVAILABILITY.



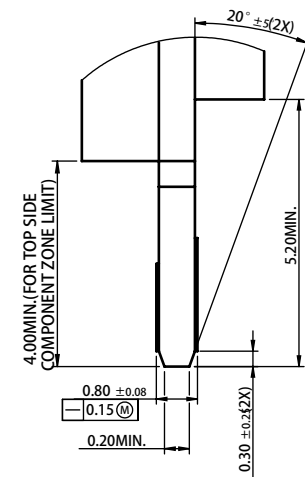
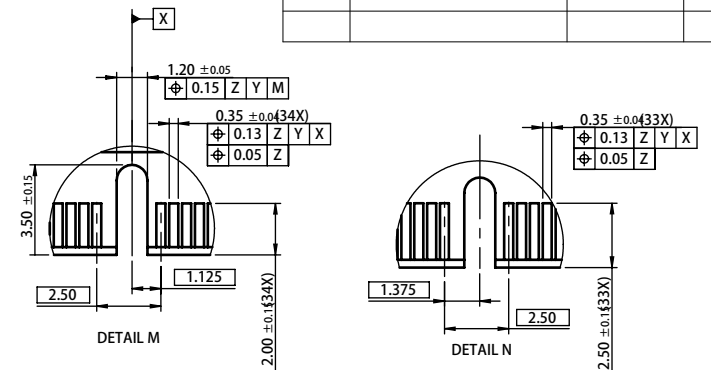
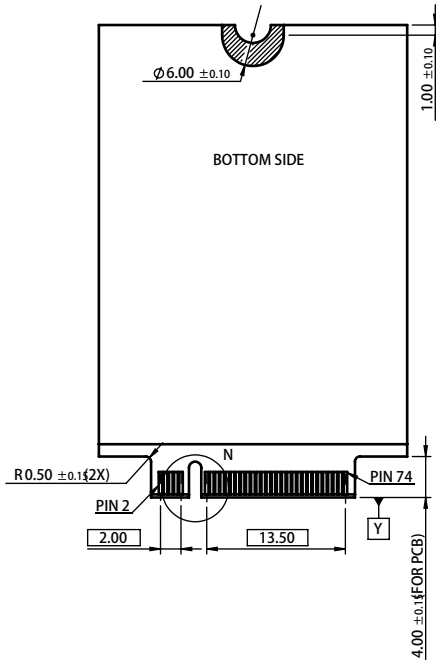
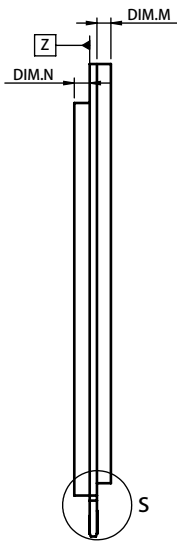
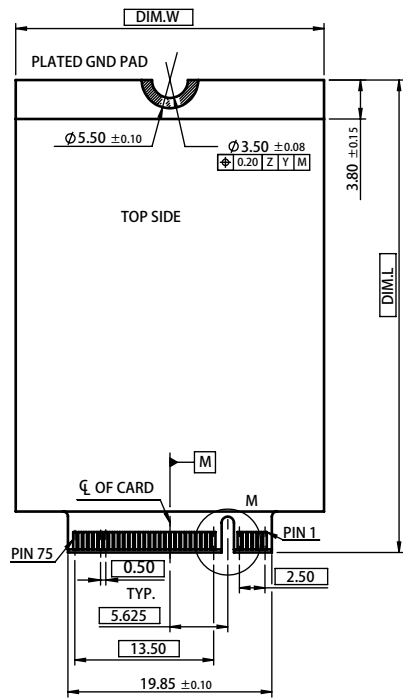
H
2.0mm
3.0mm
4.2mm
5.8mm
6.7mm
8.5mm



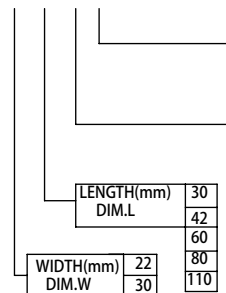
ITEM	DESCRIPTION	MATERIAL	QTY	TREATMENT
④	PI-FILM	POLYIMIDE	1	BROWN COLOR
③	METAL TAB	STAINLESS STEEL (SUS301)	2	10u" NICKEL UNDER PLATING 100u" MATTE TIN PLATING OVER ALL
②	CONTACT	PHOSPHOR BRONZE (C5210R-SH)	67	50u" NICKEL UNDER PLATING GOLD FLASH PLATING AT TAIL AREA GOLD FLASH OR 5u" GOLD PLATING OR 15u" GOLD PLATING OR 30u" GOLD PLATING OR AT CONTACT AREA
1	HOUSING	LCP (6808)	1	UL94V-0, HALOGEN FREE, BLACK COLOR

DIMENSION CLASSIFICATION		TITLE		TREATMENT	
■	: CRITICAL	台灣碩方精密電子科技有限公司 TAIWAN SOFNG PRECISION ELECTRONIC CO., LTD		開關, 連接器 SOFNG	
☒	: MAJOR	PCIE-67M67H 67PIN-PCI-E-CONNECTORS		SERIES SD106	
TOLERANCE TABLE		PART NO.	PCIE-67M67H	DWG NO.	PCIE-67P42H
.X	± 0.40	APPROVED	Peck	SCALE 1:1	UNIT mm SIZE A4
.XX	± 0.25	CHECKED	Paul	REV AO	SHEET NO. 1/3
.XXX	± 0.10	DRAWIN	David		
ANGLE	± 2°				

REVISION			
LTR	DESCRIPTION	DATE	APP
AO	NEW RELEASE	08/27/2021	PECK



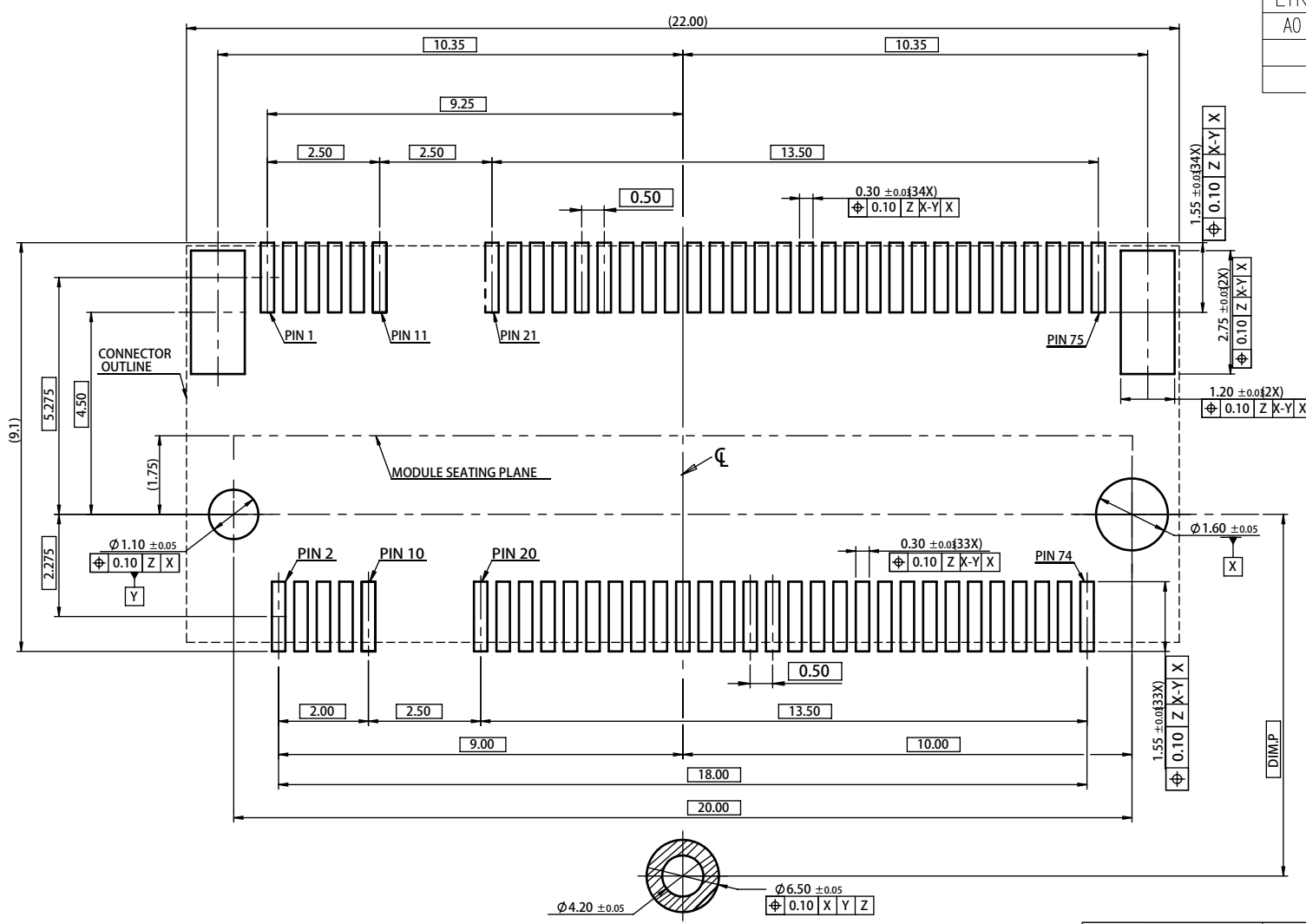
TYPE XX XX-XX-X



KEY ID

COMPONENT MAX HEIGHT(mm)		
TYPE	DIM.N	DIM.M
S1	1.2	0
S2	1.35	0
S3	1.5	0
S4	1.75	0
S5	2.0	0
D1	1.2	1.35
D2	1.35	1.35
D3	1.5	1.35
D4	1.5	0.7
D5	1.5	1.5

DIMENSION CLASSIFICATION		台灣碩方精密電子科技有限公司 TAIWAN SOFNG PRECISION ELECTRONIC CO., LTD		開關, 連接器 SOFNG	
<input type="checkbox"/> : CRITICAL <input checked="" type="checkbox"/> : MAJOR		TITLE	PCIE-67P42H	SERIES SD106	
TOLERANCE TABLE		PART NO.	SOF-G006	DWG NO. PCIE-67P42H	
.X	± 0.40	APPROVED	Peck	SCALE	1:1
.XX	± 0.25	CHECKED	Paul	UNIT	mm
.XXX	± 0.10	DRAWIN	David	SIZE	A4
ANGLE	$\pm 2^\circ$	REV	AO	SHEET NO.	2/3



REVISION			
LTR	DESCRIPTION	DATE	APP
AO	NEW RELEASE	08/27/2021	PECK

22110	108.25
2280	78.25
2260	58.25
2242	40.25
2230	28.25
3042	40.25
3030	28.25
TYPE	DIM.P

DATUM Z IS THE PCB SOLDER SURFACE

DIMENSION CLASSIFICATION
 ■ : CRITICAL
 ☒ : MAJOR

台灣碩方精密電子科技有限公司
 TAIWAN SOFNG PRECISION ELECTRONIC CO., LTD



TOLERANCE TABLE	
.X	± 0.40
.XX	± 0.25
.XXX	± 0.10
ANGLE	$\pm 2^\circ$

TITLE	PCIE-67P42H	開關, 連接器 SOFNG	
PART NO.	SOF-G006	SERIES	SD106
APPROVED	Peck	DWG NO.	PCIE-67P42H
CHECKED	Paul	SCALE	1:1
DRAWIN	David	UNIT	mm
		REV	AO
		SHEET NO.	3/3

X-ON Electronics

Largest Supplier of Electrical and Electronic Components

Click to view similar products for [Standard Card Edge Connectors](#) category:

Click to view products by [SOFNG](#) manufacturer:

Other Similar products are found below :

[CR7E-30DB-3.96E\(72\)](#) [6565204-6](#) [1437274-4](#) [1-582587-1](#) [284-0102-12100](#) [286-0052-12101A](#) [306022901000000](#) [A6D22DS29C2](#) [1926088-2](#) [245-062-520-350](#) [287-0032-12101](#) [306-028-525-102](#) [307-072-526-202](#) [330-030-500-278](#) [345-060-559-303](#) [534671-1](#) [341-240-317](#) [345-044-500-300](#) [346-240-318](#) [C7D10DS29C1M133](#) [395-100-524-300](#) [09-07-2032](#) [10035388-802LF](#) [10115859-011LF](#) [10122859-009LF](#) [101269333204245CLF](#) [530555-1](#) [66925-516LF](#) [5145409-2](#) [73726-0005](#) [66308-1](#) [EBC05DRXN](#) [KSLX-62-BR](#) [CE100F26-7-C](#) [CE100F28-3-D](#) [CE100F28-4-D](#) [CE156F22-9-C](#) [CT100F24-3-D](#) [CT100F24-6-C](#) [MLSS100-12-C](#) [SCC100F-11-C](#) [SCC100F-20-C](#) [SCC100F-24-C](#) [SCC100F-25-C](#) [3-530656](#) [2512250177](#) [285-0112-12300](#) [346-068-556-300](#) [284-0492-11000](#) [287-0032-12301](#)