



LTEM NO.: SD-001 (Consumer Electronics)

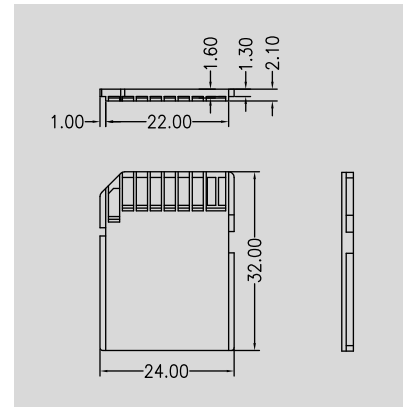
(17.20L × 26.40W × 2.85H & T-Flash Sockets)

MEMORY-CARD-SOCKETS



Technical parameter

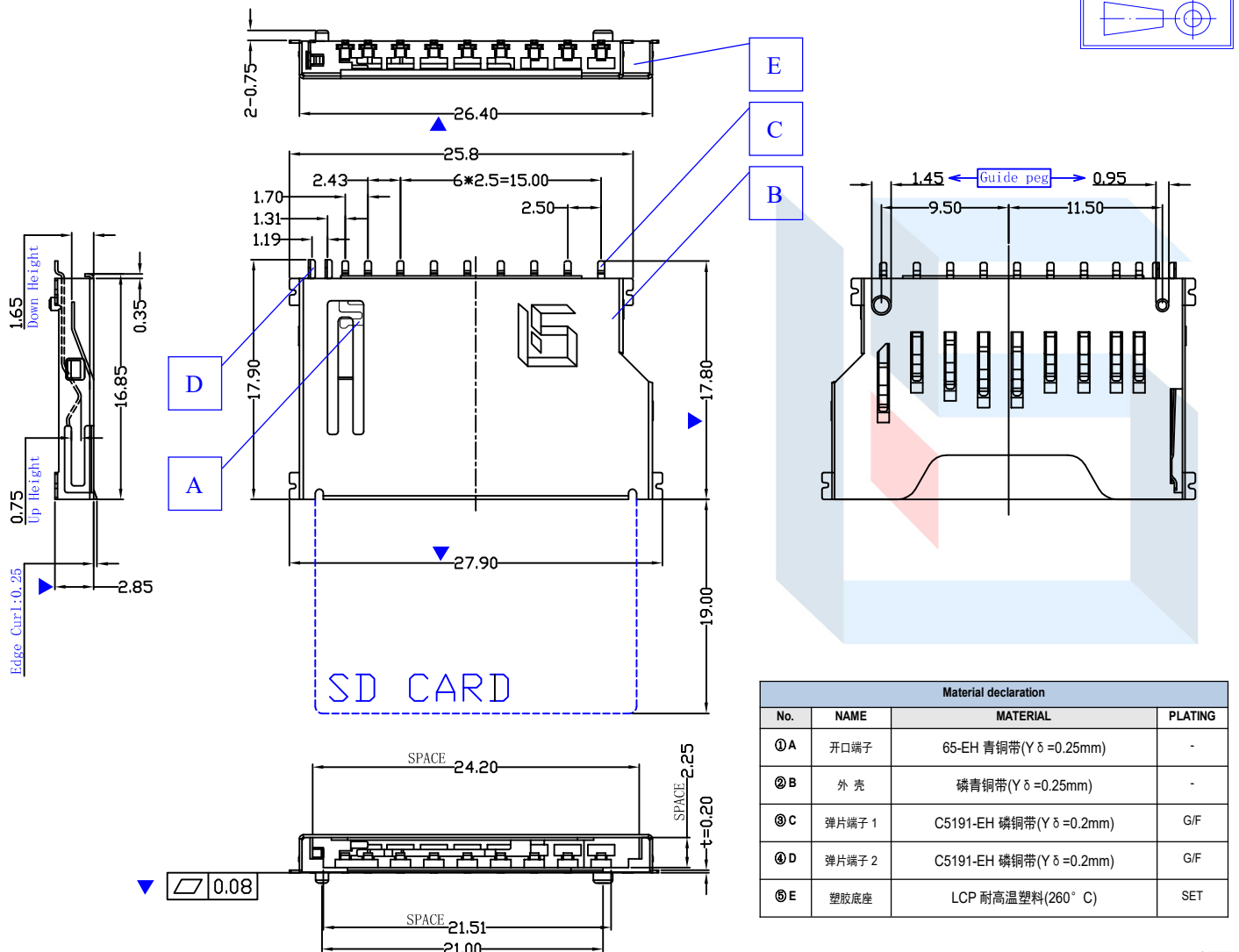
		LEVEL	
PROJECT		A[better product]	B[average product]
	Contact Rating	25mA, 24V DC	
Electrical	Initial Contact Resistance	30mΩ max.	50mΩ max.
Properties	Insulation Resistance	100MΩ min.500V DC	
	Withstand Voltage	500V AC for 1 minute	350 V AC for 1 minut
Durable	There No Load	6,500 Cycles	5,500 Cycles
Performance	Rated Load	5,500 Cycles	4,000 Cycles
Storage temp.		-35℃~+85℃(Operating Temp:)	



SD CARD

Page1

Unit:mm



Operating Force	Inward	6.0~9.0N. (1N.=100gram-force)	Solder-ability (Max.)	
	Exiting	5.0~8.0N. (1N.=100gram-force)	IR Reflow:255°C, 5sec.	Manual :350°C, 3sec.

WP--WRITE PROTECT PIN
CD--CARD DETECT PIN
GROUND(SHELL)--COMMON PIN

CIRCUIT [SIGNAL]	
WP	CD
8	7
6	5
4	3
2	1
9	

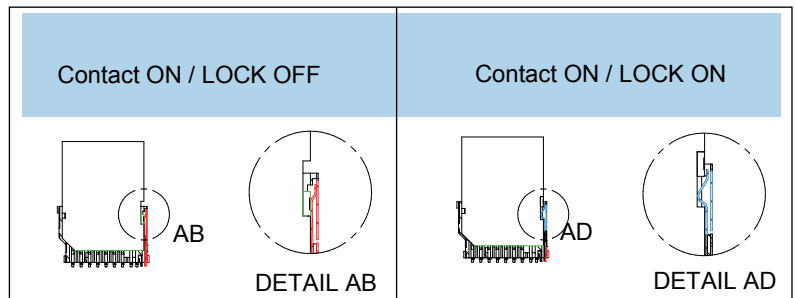
DECIMALS		ANGLES	
X	:±0.25	X°	:±3°
XX	:±0.20	XX°	:±1°
XXX	:±0.15	XXX°	:±0.5°

Pin definition



SD CARD Pin DESIGN

Pin No.	Pin NAME	Type	Description
P①	CD/DAT3	I/O/PP	Card Detect/Date Line[Bit 3]
P②	CMD	PP	Command/Response
P③	Vss1	S	Supply voltage ground
P④	VDD	S	Supply voltage
P⑤	CLK	I	Clock
P⑥	Vss2	S	Supply voltage ground
P⑦	DAT 0	I/O/PP	Date Line [Bit 0]
P⑧	DAT 1	I/O/PP	Date Line [Bit 1]
P⑨	DAT 2	I/O/PP	Date Line [Bit 2]



本品不屬於危害性廢棄物,須丟棄時可以委託回收商予以回收再生處理。Products do not belong to hazardous waste,When waste can recycling processing

注記 NOTICE

1. 碩方公司擁有最終解釋權; The SOFNG company reserves the right of final interpretation;
2. 文件禁止外洩、轉載; Leaked and reproduced prohibited;
3. 未經授權修改無效。Modify is invalid.

運送時本產品不要直接與水、酸鹼性化學物質接觸,或放置於含有以上氣體環境中,並且需要注意會有滑落、側翻的危險發生; 運輸過程中不能有碰撞或者擠壓,須保證溫度與濕度適中[常溫 25°C,濕度在 50°C以內],不可導致材料變形或氧化。

X-ON Electronics

Largest Supplier of Electrical and Electronic Components

Click to view similar products for [Standard Card Edge Connectors](#) category:

Click to view products by [SOFNG](#) manufacturer:

Other Similar products are found below :

[6565204-6](#) [PKC-156](#) [1437274-4](#) [147889-1](#) [1489165-4](#) [EBT156-12B1X](#) [EBT15622B2X](#) [EBT156-22R2W](#) [1-582587-1](#) [1-582589-1](#) [2-6437275-9](#) [284-0102-12100](#) [306022901000000](#) [307-012-502-202](#) [307-024-526-201](#) [307-056-520-300](#) [307-080-526-208](#) [1926088-2](#) [245-062-520-350](#) [287-0032-12101](#) [306-010-500-112](#) [306-028-525-102](#) [306-240-318](#) [307-036-502-202](#) [307-036-521-301](#) [307-072-526-202](#) [345-060-559-303](#) [368-004-520-201](#) [392-008-559-201](#) [534671-1](#) [5-530501-5](#) [341-240-317](#) [345-029-520-300](#) [345-030-500-301](#) [345-044-500-300](#) [345-220-058](#) [346-240-318](#) [387-012-523-300](#) [395-044-520-300](#) [395-100-524-300](#) [50-12B-10](#) [50-6SN-5](#) [09-07-2032](#) [10035388-106LF](#) [10035388-802LF](#) [10115859-011LF](#) [10122859-009LF](#) [101269333204245CLF](#) [10127905-B04B24BLF](#) [530555-1](#)