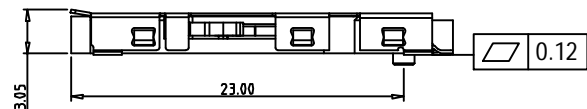
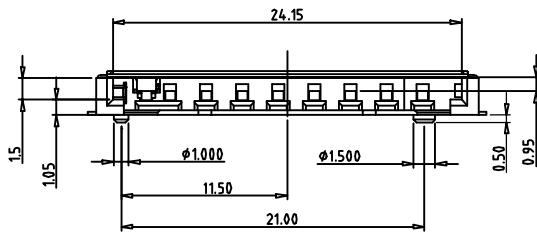
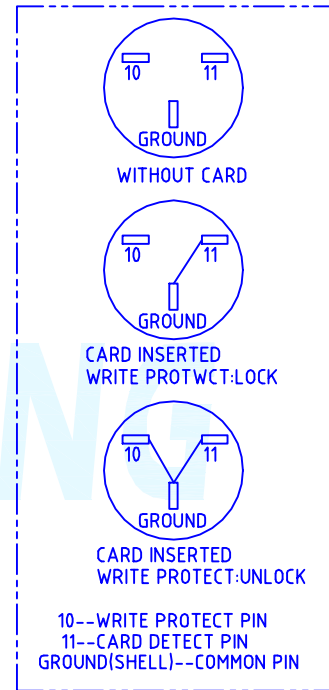
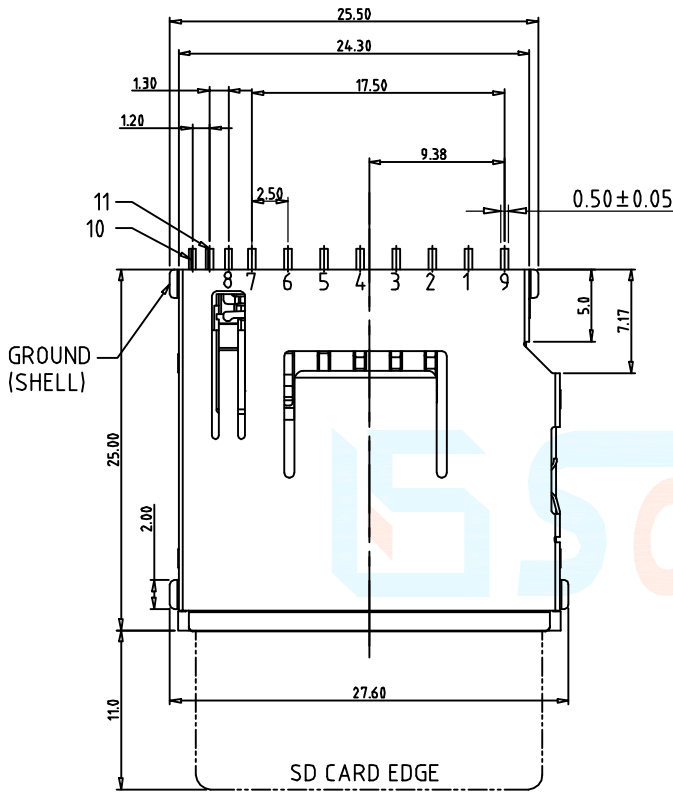
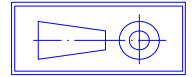




LTEM NO.:SD-002U
(MEMORY-CARD-SOCKETS)

Unit:mm



Technical parameter

PROJECT		LEVEL	A[better product]	B[average product]	C[low product]
Electrical Properties	Initial Contact Resistance		30mΩ max.	30mΩ max.	no data!
	Contact Resistance		100MΩ min.100V DC Skey/PD: 50MΩ min.100V DC		
	Withstand Voltage		300V AC for 1min	250 V AC for 1min	
Durable Performance	There No Load		8,000 Cycles	7,000 Cycles	no data!
	Rated Load		6,500 Cycles 50mΩ max.	5,000 Cycles 30mΩ max.	no data!
Insertion Force			4.0Kgf MAX (Springback:)		

表面貼裝 SMT

側向導入 LATERAL

精密部品 NICETY

可靠 STABILIZE

適合環保 RoHS

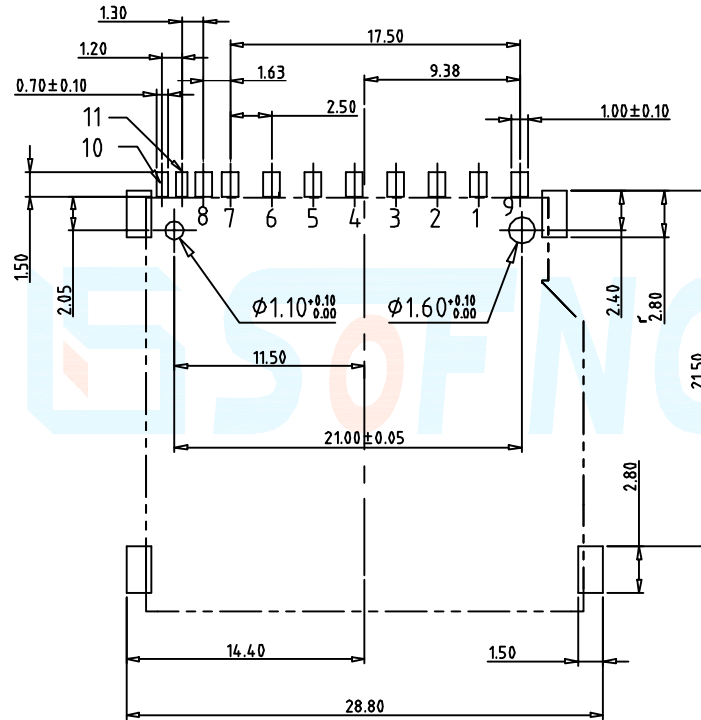
CIRCUIT BOARD SIZE (Vertical view)

Operating Force

Inward	6.0~9.0N. (1N.=100gram-force)
Exiting	5.0~8.0N. (1N.=100gram-force)

Solder-ability (Max.)

IR Reflow: 255°C, 5sec.	Manual: 350°C, 3sec.
-------------------------	----------------------



DECIMALS	ANGLES
.X :±0.20	X.° :±1.5°
.XX :±0.10	X.X° :±1.0°
.XXX :±0.05	.XXX° :±0.5°

PIN Assignment

SD CARD Pin DESIGN

Pin No.	Pin NAME	Type	Description
P①	CD/DAT3	I/O/PP	Card Detect/Date Line[Bit 3]
P②	CMD	PP	Command/Response
P③	Vss1	S	Supply voltage ground
P④	VDD	S	Supply voltage
P⑤	CLK	I	Clock
P⑥	Vss2	S	Supply voltage ground
P⑦	DAT 0	I/O/PP	Date Line [Bit 0]
P⑧	DAT 1	I/O/PP	Date Line [Bit 1]
P⑨	DAT 2	I/O/PP	Date Line [Bit 2]

本品不屬於危害性廢棄物,須丟棄時可以委託回收商予以回收再生處理。Products do not belong to hazardous waste,When waste can recycling processing

運送時本產品不要直接與水、酸鹼性化學物質接觸,或放置於含有以上氣體環境中,並且需要注意會有滑落、側翻的危險發生;運輸過程中不能有碰撞或者擠壓,須保證溫度與濕度適中[常溫 25°C,濕度在 50°C 以內],不可導致材料變形或氧化。

NAME	MATERIAL	PLATING
A 接觸端子	H62 (t=0.15mm)黃銅【錫 30u" 鍍金 1u"】	-
B 基座	LCP 30%G/F (Black)耐熱塑膠	G/F
C 外壳	磷銅 C5191 (鍍金 1u" /焊區霧錫)	G/F

X-ON Electronics

Largest Supplier of Electrical and Electronic Components

Click to view similar products for [Memory Card Connectors](#) category:

Click to view products by [SOFNG](#) manufacturer:

Other Similar products are found below :

[6407-249V-25273P](#) [6407-249V-25343P](#) [6426-201-21343](#) [69.920.0553.0](#) [MCR60A-98D-2.54DSA\(70\)](#) [809180410000000](#) [DM3AT-SF-PEJM5\(41\)](#) [IC11S-BUR-PNEJL\(71\)](#) [C70210M0083692](#) [2041353-2](#) [308-DS1P0811-192](#) [HM2P09PDR360N9LF](#) [10014744-011TLF](#) [11327-001](#) [11327-002](#) [NX1-32T-KT3K\(05\)](#) [95622-003LF](#) [84648-056HLF](#) [CCM03-3109 B LFT](#) [MS3116J10-6PW](#) [2309923-1](#) [61126-050CAHLF](#) [GTFP08432B1HR](#) [G85D1160022HHR](#) [SCE2MSDB76A121SN](#) [SCE2MSDZN76A121SN](#) [10014744-011ALF](#) [10014744-011LF](#) [10057542-1211FLF](#) [10067972-000LF](#) [10067972-050LF](#) [10122302-20110LF](#) [G85D1162022HHR](#) [TF-05A](#) [XKNANO-1412](#) [SMN-304-ARP6](#) [MIS11-S1F1-2000-A](#) [SMN-308-ARSP7](#) [MCS-302S-KT1B](#) [SMN-308-ACSP7](#) [K-DYX-008](#) [K-DYX-004](#) [HYCW126-TF18-150B](#) [C7024-03](#) [SMO-1030](#) [MCS-110-KT](#) [SIM-217](#) [SNO-1355-KT](#) [SMO-1025-P10](#) [SIM-211S-P6](#)