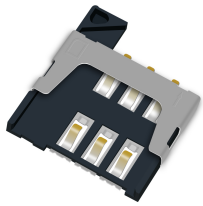




LTEM NO.: SMO-1504 (Consumer Electronics)

(15.5L × 13.5W × 1.6H & MICRO-SIM Sockets)

MEMORY-CARD-SOCKETS



Technical parameter

內焊貼裝 SMT

PROJECT	LEVEL	A[better product]	B[average product]
		Electrical Properties Contact Rating Initial Contact Resistance Insulation Resistance Withstand Voltage There No Load Rated Load Storage temp.	50mA, 24V DC 50mΩ max. 100MΩ min.500V DC 500V AC for 1 minute 5,000 Cycles 3,500 Cycles -35℃~+75℃(Operating Temp:)

側向導入 LATERAL

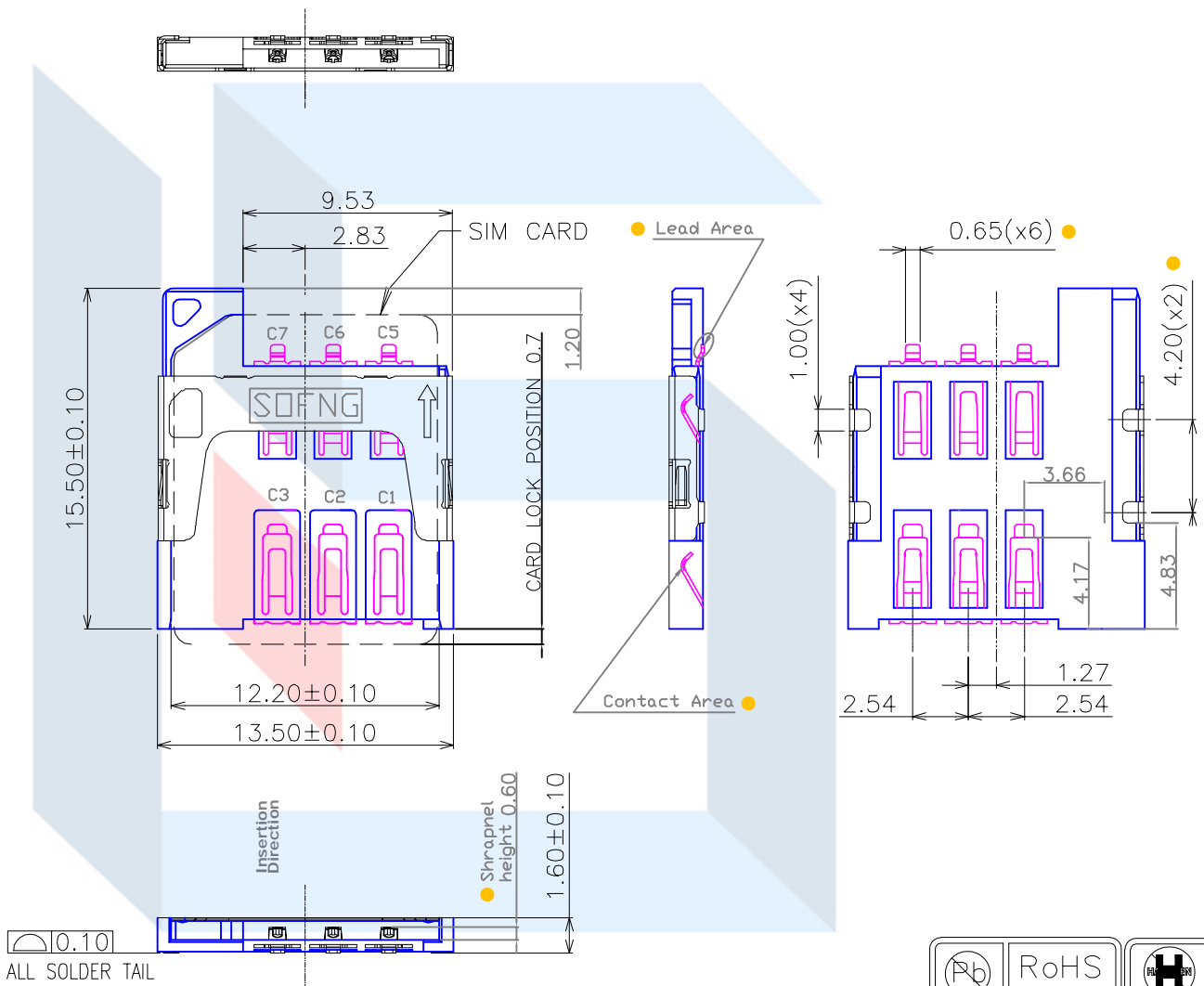
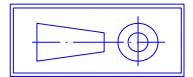
精密部品 NICETY

可靠 STABILIZE

適合環保 RoHS

Page1

Unit:mm



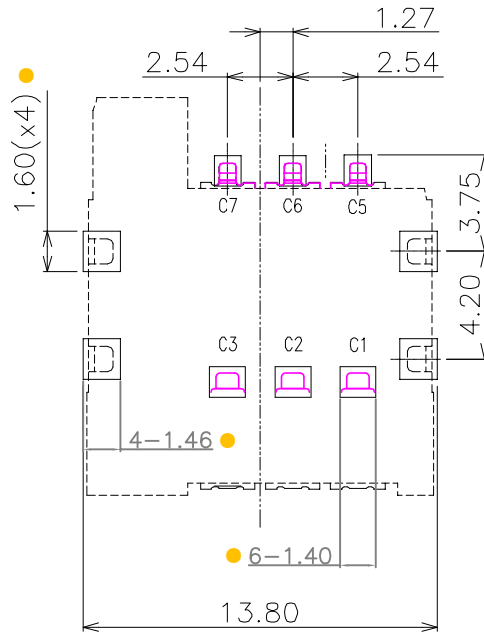
Operating Force

Inward
Exiting

2.5~3.5N. (1N.=100gram-force)
2.5~3.5N. (1N.=100gram-force)

Solder-ability (Max.)

IR Reflow:255°C,5sec. Manual:350°C,3sec.

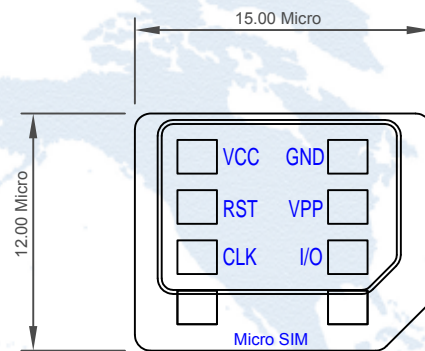


DECIMALS	ANGLES
.X :±0.20	X.° :±1.5°
.XX :±0.10	X.X° :±1.0°
.XXX :±0.05	XXX° :±0.5°

Pin definition

Pin No.	Pin NAME	Type	Description
C ①	卡電源	1	VCC
C ②	復位	1	RST
C ③	時鐘	1	CLK
C ④	Reserved	1	Reserved
C ⑤	接地	1	GND
C ⑥	Vpp	1	VPP
C ⑦	輸入/輸出	1	I/O
C ⑧	Reserved	1	Reserved

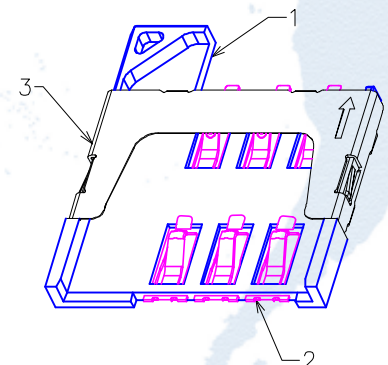
MICRO-SIM



Reference

Material declaration

NAME	MATERIAL	PLATING
1 基座 HOUSING	LCP 耐热塑胶 (UL94V-0)BLACK	SET
2 接触端子 TERMINAL	C5210-EH (t=0.20mm)磷铜【镍基 Ni50u" 镀金 1u"】	G/F
3 上盖 COVER	SUS304(t=0.25mm)不锈钢【GND 焊点镀金 1u"】	G/F



注記 NOTICE

1. 碩方公司擁有最終解釋權；The SOFNG company reserves the right of final interpretation;
2. 文件禁止外洩、轉載；Leaked and reproduced prohibited;
3. 未經授權修改無效。Modify is invalid.

X-ON Electronics

Largest Supplier of Electrical and Electronic Components

Click to view similar products for [Standard Card Edge Connectors](#) category:

Click to view products by [SOFNG](#) manufacturer:

Other Similar products are found below :

[6565204-6](#) [PKC-156](#) [1437274-4](#) [147889-1](#) [1489165-4](#) [EBT156-12B1X](#) [EBT15622B2X](#) [EBT156-22R2W](#) [1-582587-1](#) [1-582589-1](#) [2-6437275-9](#) [284-0102-12100](#) [306022901000000](#) [307-012-502-202](#) [307-024-526-201](#) [307-056-520-300](#) [307-080-526-208](#) [1926088-2](#) [245-062-520-350](#) [287-0032-12101](#) [306-010-500-112](#) [306-028-525-102](#) [306-240-318](#) [307-036-502-202](#) [307-036-521-301](#) [307-072-526-202](#) [345-060-559-303](#) [368-004-520-201](#) [392-008-559-201](#) [534671-1](#) [5-530501-5](#) [341-240-317](#) [345-029-520-300](#) [345-030-500-301](#) [345-044-500-300](#) [345-220-058](#) [346-240-318](#) [387-012-523-300](#) [395-044-520-300](#) [395-100-524-300](#) [50-12B-10](#) [50-6SN-5](#) [09-07-2032](#) [10035388-106LF](#) [10035388-802LF](#) [10115859-011LF](#) [10122859-009LF](#) [101269333204245CLF](#) [10127905-B04B24BLF](#) [530555-1](#)