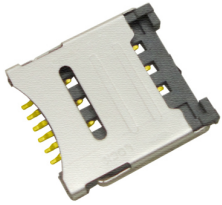



**LTEM NO.: SMO-1512** (Consumer Electronics)

(16.3L × 14.6W × 1.8H &amp; MICRO-SIM Sockets)

## MEMORY-CARD-SOCKETS



### Technical parameter

外焊贴装 SMT

| PROJECT                      | LEVEL                      | A[better product]           |  | B[average product]   |  |
|------------------------------|----------------------------|-----------------------------|--|----------------------|--|
|                              |                            | A[better product]           |  | B[average product]   |  |
| <b>Electrical Properties</b> | Contact Rating             | 25mA, 24V DC                |  |                      |  |
|                              | Initial Contact Resistance | 50mΩ max.                   |  | 80mΩ max.            |  |
|                              | Insulation Resistance      | 100MΩ min.500V DC           |  |                      |  |
|                              | Withstand Voltage          | 500V AC for 1 minute        |  | 350 V AC for 1 minut |  |
| <b>Durable Performance</b>   | There No Load              | 5,000 Cycles                |  | 3,500 Cycles         |  |
|                              | Rated Load                 | 3,500 Cycles                |  | 2,500 Cycles         |  |
|                              | Storage temp.              | -25℃~+85℃(Operating Temp: ) |  |                      |  |

側向導入 LATERAL

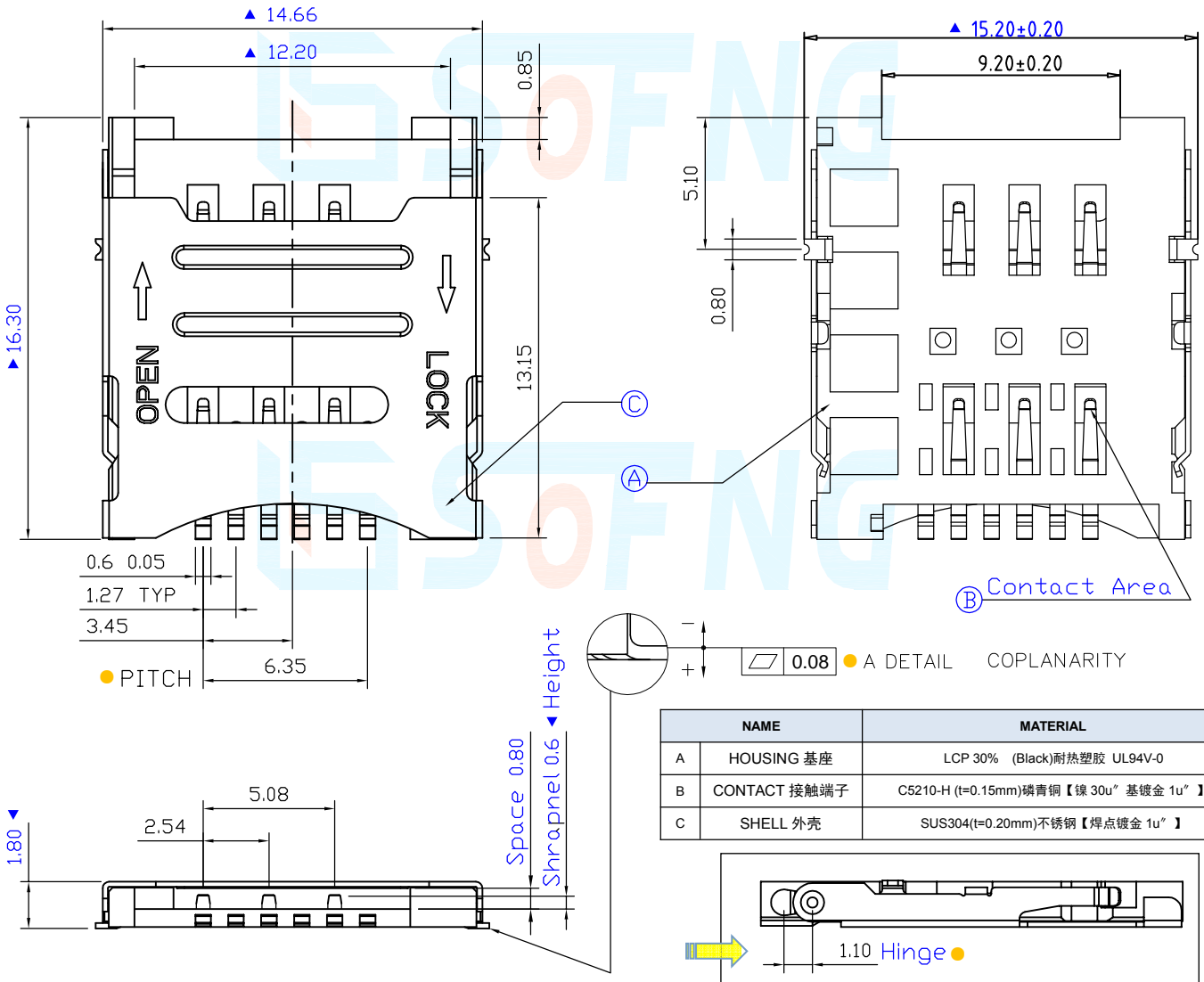
精密部品 NICETY

可靠 STABILIZE

適合環保 RoHS

Page1

Unit:mm

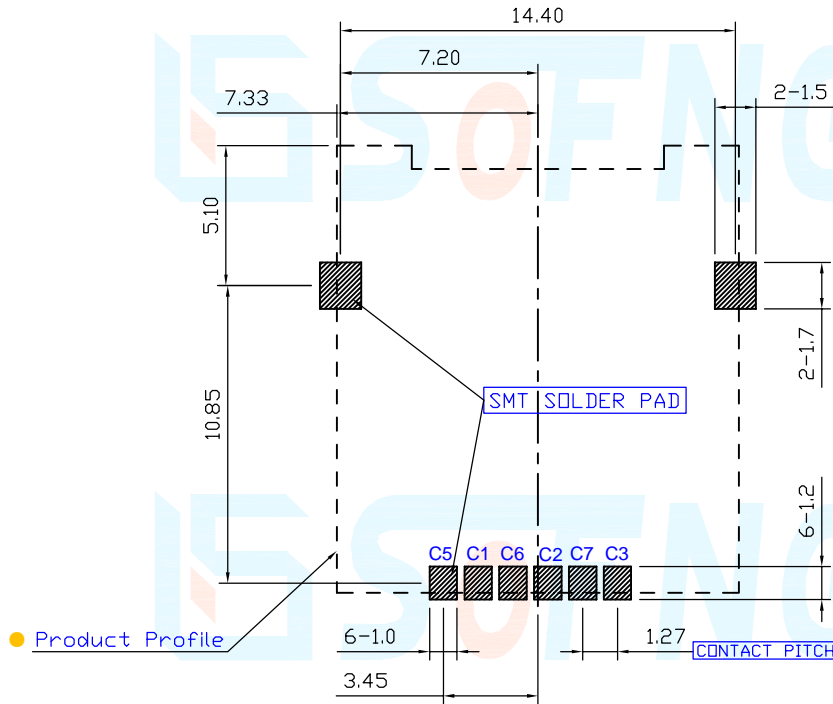
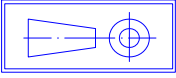


Operating Force

Inward 4.0~5.5N. (1N.=100gram-force)  
 Exiting 4.0~5.5N. (1N.=100gram-force)

Solder-ability (Max.)

IR Reflow: 255°C, 5sec. Manual: 350°C, 3sec.

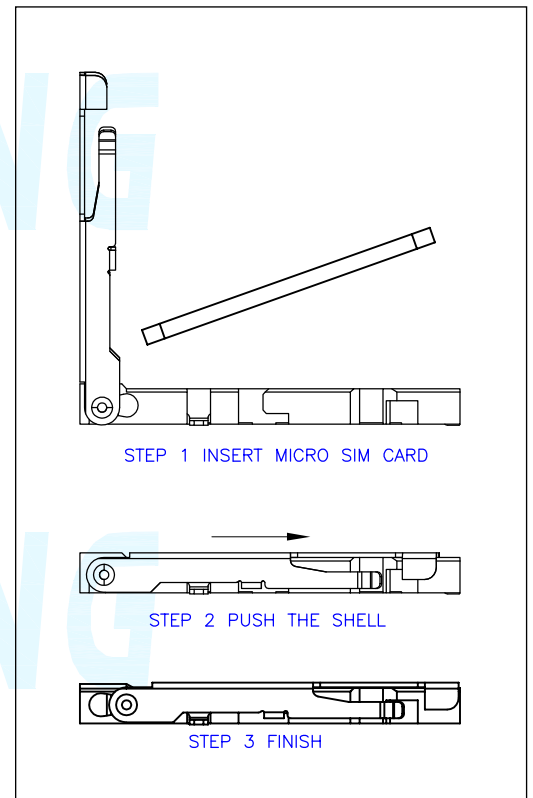
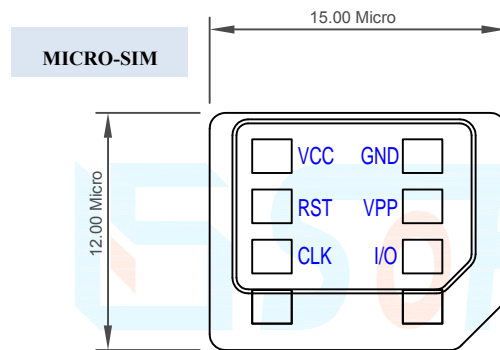


| DECIMALS    | ANGLES      |
|-------------|-------------|
| .X :±0.20   | X.° :±1.5°  |
| .XX :±0.10  | X.X° :±1.0° |
| .XXX :±0.05 | XXX° :±0.5° |

Pin definition



| Pin No. | Pin NAME | Type | Description |
|---------|----------|------|-------------|
| C ①     | 卡電源      | 1    | VCC         |
| C ②     | 復位       | 1    | RST         |
| C ③     | 時鐘       | 1    | CLK         |
| C ⑤     | 接地       | 1    | GND         |
| C ⑥     | Vpp      | 1    | VPP         |
| C ⑦     | 輸入/輸出    | 1    | I/O         |



注記 NOTICE

1. 碩方公司擁有最終解釋權；The SOFNG company reserves the right of final interpretation;
2. 文件禁止外洩、轉載；Leaked and reproduced prohibited;
3. 未經授權修改無效。Modify is invalid.

## X-ON Electronics

Largest Supplier of Electrical and Electronic Components

*Click to view similar products for [Standard Card Edge Connectors](#) category:*

*Click to view products by [SOFNG](#) manufacturer:*

Other Similar products are found below :

[CR7E-30DB-3.96E\(72\)](#) [6565204-6](#) [1437274-4](#) [EBT15622B2X](#) [1-582587-1](#) [284-0102-12100](#) [286-0052-12101A](#) [306022901000000](#) [307-012-502-202](#) [307-056-520-300](#) [A6D22DS29C2](#) [1926088-2](#) [287-0032-12101](#) [345-060-559-303](#) [392-008-559-201](#) [534671-1](#) [341-240-317](#) [345-044-500-300](#) [346-240-318](#) [387-012-523-300](#) [395-100-524-300](#) [09-07-2032](#) [10035388-802LF](#) [10115859-011LF](#) [10122859-009LF](#) [101269333204245CLF](#) [530555-1](#) [66925-516LF](#) [5145409-2](#) [73726-0005](#) [66308-1](#) [5036A30](#) [PEC-07-02-T-S-A](#) [346-014-520-801](#) [KSLX-62-BR](#) [307-048-502-202](#) [CE100F26-7-C](#) [CE100F28-3-D](#) [CE100F28-4-D](#) [CE156F18-9-C](#) [CE156F22-5-D](#) [CE156F22-9-C](#) [CT100F22-2-D](#) [CT100F22-3-D](#) [CT100F24-2-D](#) [CT100F24-3-D](#) [CT100F24-6-C](#) [CT156F22-4-D](#) [MLSS100-12-C](#) [MLSS100-16-C](#)