

Operation: NANO-SIM SOCKETS & Push-Push 外焊式 带检测功能



LTEM NO.: SNO-1303-X (Consumer Electronics)

(13.7L × 12.3W × 1.4H & NANO-SIM Sockets)

MEMORY-CARD-SOCKETS



Technical parameter

表面贴装 SMT

PROJECT	LEVEL	A[better product]	B[average product]
		Contact Rating	
Electrical Properties	Initial Contact Resistance	50mΩ max.	80mΩ max.
	Insulation Resistance	100MΩ min. 500V DC	
	Withstand Voltage	500V AC for 1 minute	350 V AC for 1 minut
Durable Performance	There No Load	5,000 Cycles	3,500 Cycles
	Rated Load	3,500 Cycles	2,500 Cycles
	Storage temp.	-35℃~+75℃(Operating Temp:)	

側向操作 LATERAL

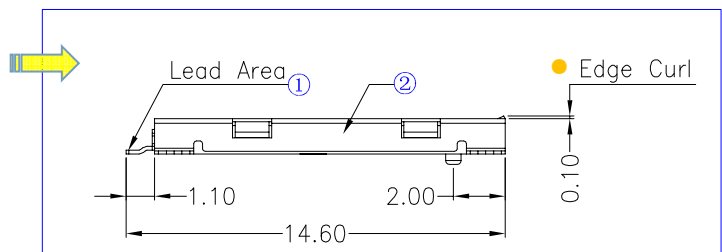
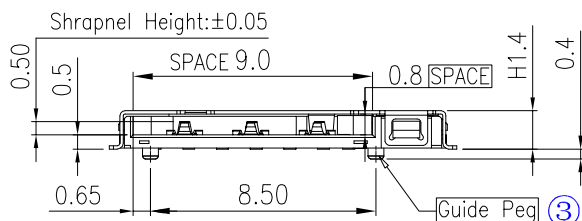
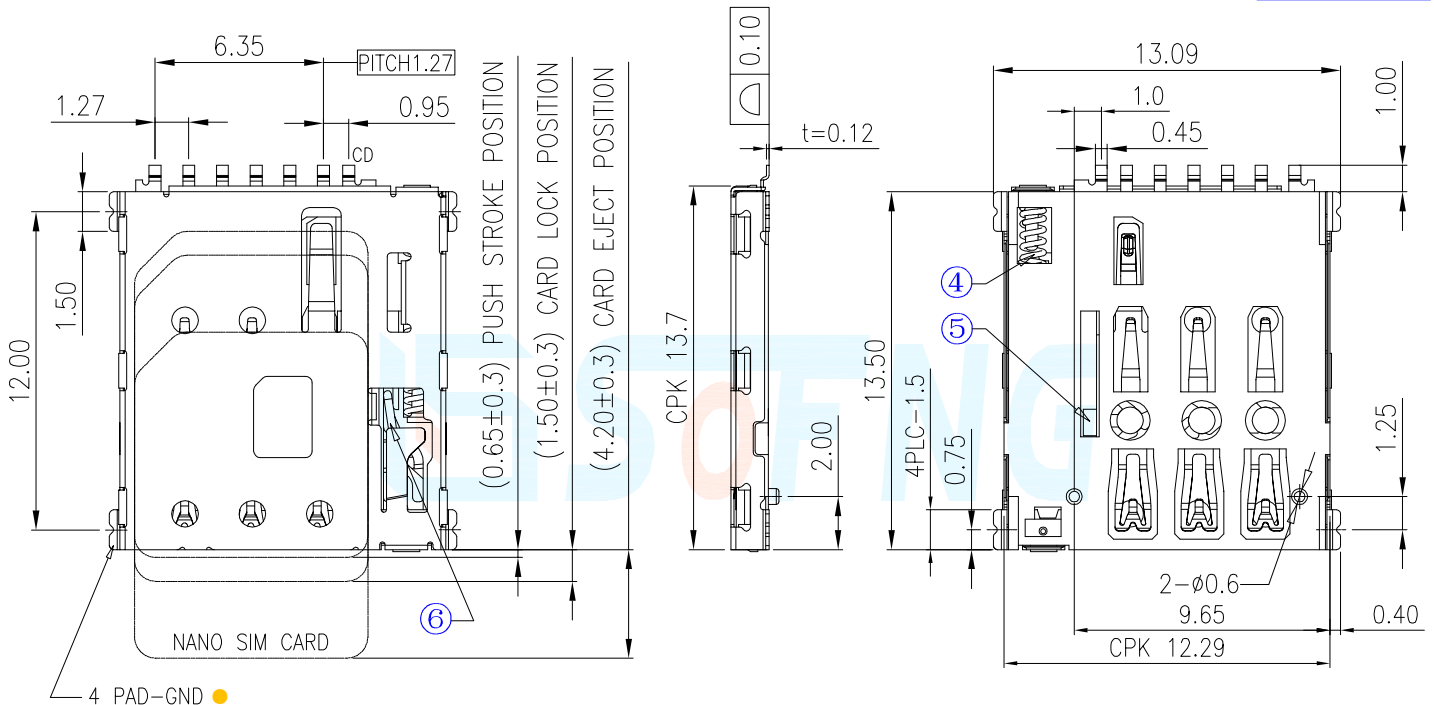
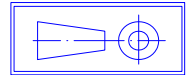
精密部品 NICETY

可靠 STABILIZE

適合環保 RoHS

Page1

Unit:mm



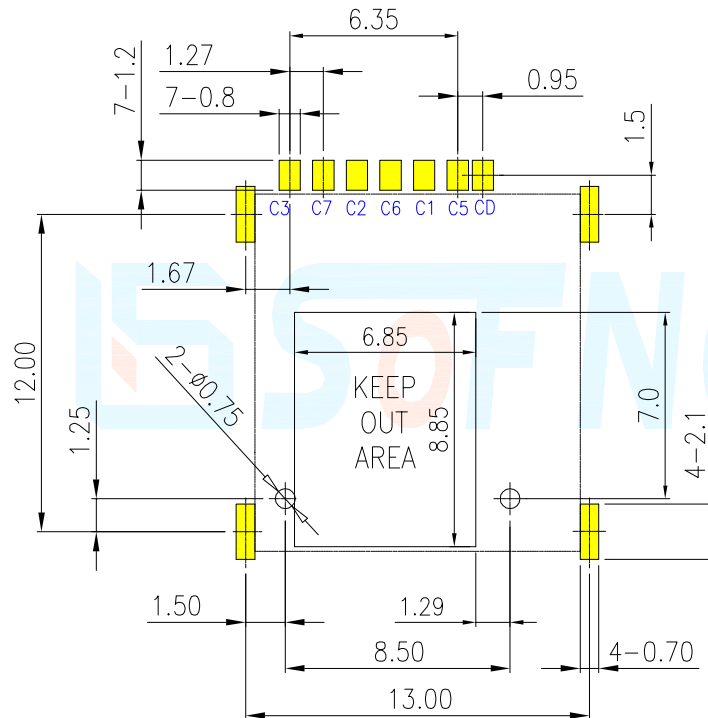
Operating Force

Inward 8.0~12.0N. (1N.=100gram-force)
 Exiting 5.0~7.0N. (1N.=100gram-force)

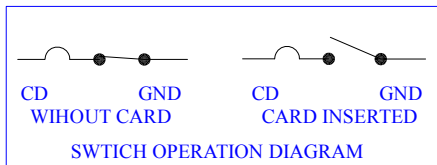
Solder-ability (Max.)

IR Reflow: 255°C, 5sec. Manual: 350°C, 3sec.

DECIMALS	ANGLES
.X :±0.20	X.° :±1.5°
.XX :±0.10	X.X° :±1.0°
.XXX :±0.05	.XXX° :±0.5°



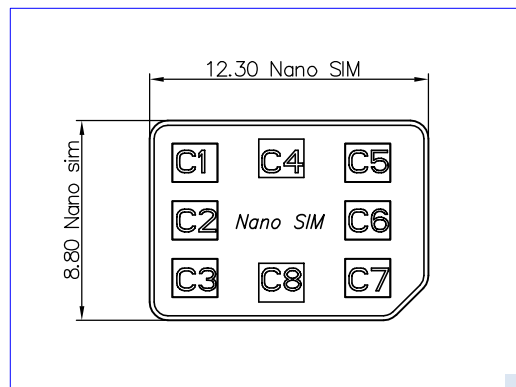
● ALL SMT SOLDER PAD



Pin definition

SIM CARD

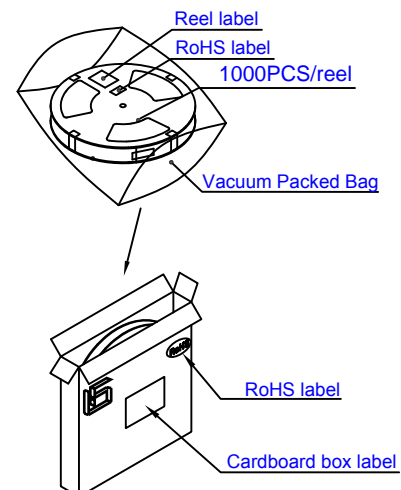
Pin No.	Pin NAME	Type	Description
C ①	卡電源	1	VCC
C ②	復位	1	RST
C ③	時鐘	1	CLK
C ⑤	接地	1	GND
C ⑥	Vpp	1	VPP
C ⑦	輸入/輸出	1	I/O
CD PIN	插卡检测	1	CARD DETECT



NANO-SIM

Material declaration

NAME	MATERIAL	PLATING
① 接触端子 Terminal	C5210-EH (t=0.15mm)磷铜【镍基 Ni50u" 镀金 1u"】	G/F
② 上盖 Cover	SUS304-H(t=0.12mm)不锈钢【GND 焊点镀金 1u"】	AU/Ni
③ 基座 Housing	LCP 耐热塑胶 (UL94V-0) BLACK	SET
④ 弹簧 Spring	SUS304-EH 不锈钢 OD=0.20mm	-
⑤ 滑块 Slider	LCP 耐热塑胶 (UL94V-0) BLACK	SET
⑥ 线型拉杆 Drag Link	SUS304-EH 不锈钢 OD=0.25mm	-



注記 NOTICE

1. 碩方公司擁有最終解釋權; The SOFNG company reserves the right of final interpretation;
2. 文件禁止外洩、轉載; Leaked and reproduced prohibited;
3. 未經授權修改無效。Modify is invalid.

X-ON Electronics

Largest Supplier of Electrical and Electronic Components

Click to view similar products for [Memory Card Connectors](#) category:

Click to view products by [SOFNG](#) manufacturer:

Other Similar products are found below :

[6407-249V-25273P](#) [6407-249V-25343P](#) [6426-201-21343](#) [69.920.0553.0](#) [MCR60A-98D-2.54DSA\(70\)](#) [809180410000000](#) [DM3AT-SF-PEJM5\(41\)](#) [IC11S-BUR-PNEJL\(71\)](#) [C70210M0083692](#) [2041353-2](#) [308-DS1P0811-192](#) [HM2P09PDR360N9LF](#) [10014744-011TLF](#) [11327-001](#) [11327-002](#) [NX1-32T-KT3K\(05\)](#) [95622-003LF](#) [84648-056HLF](#) [CCM03-3109 B LFT](#) [MS3116J10-6PW](#) [2309923-1](#) [61126-050CAHLF](#) [GTFP08432B1HR](#) [G85D1160022HHR](#) [SCE2MSDZN76A121SN](#) [10014744-011ALF](#) [10014744-011LF](#) [10057542-1211FLF](#) [10067972-000LF](#) [10067972-050LF](#) [10122302-20110LF](#) [G85D1162022HHR](#) [TF-05A](#) [M6014-12](#) [SMN-304-ARP6](#) [MIS11-S1F1-2000-A](#) [SMN-308-ARSP7](#) [MCS-302S-KT1B](#) [SMN-308-ACSP7](#) [K-DYX-008](#) [K-DYX-004](#) [HYCW126-TF18-150B](#) [C7024-03](#) [SMO-1030](#) [MCS-110-KT](#) [SIM-217](#) [SNO-1355-KT](#) [SMO-1025-P10](#) [SIM-211S-P6](#) [SNO-1440](#)