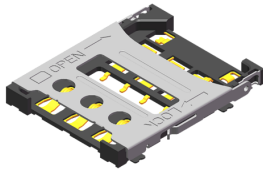




LTEM NO.: SNO-1306-X (Consumer Electronics)

(13.3L×11.0W×1.35H & NANO-SIM Sockets)

MEMORY-CARD-SOCKETS



Technical parameter

内焊贴装 SMT

PROJECT	LEVEL	A[better product]	B[average product]
		50mA, 24V DC	
Electrical Properties	Contact Rating	50mA, 24V DC	50mA, 24V DC
	Initial Contact Resistance	50mΩ max.	80mΩ max.
	Insulation Resistance	100MΩ min.500V DC	
Durable Performance	Withstand Voltage	500V AC for 1 minute	350 V AC for 1 minut
	There No Load	5,000 Cycles	3,500 Cycles
	Rated Load	3,500 Cycles	2,500 Cycles
	Storage temp.	-35℃~+75℃(Operating Temp:)	

正向操作 LATERAL

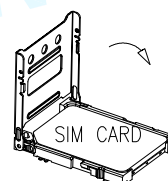
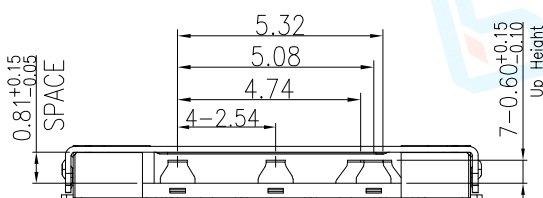
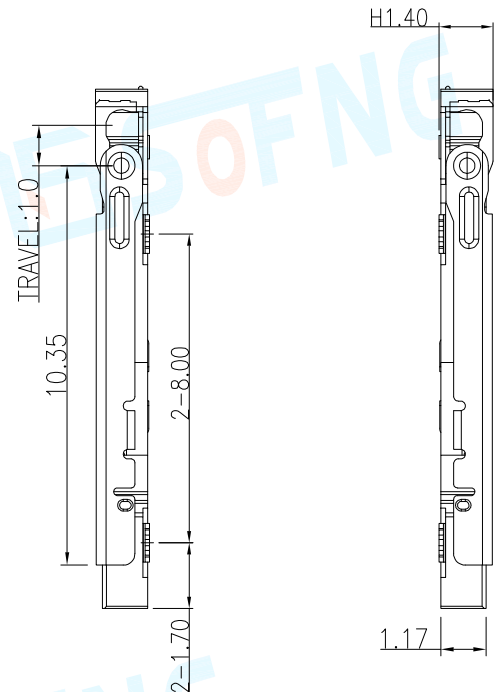
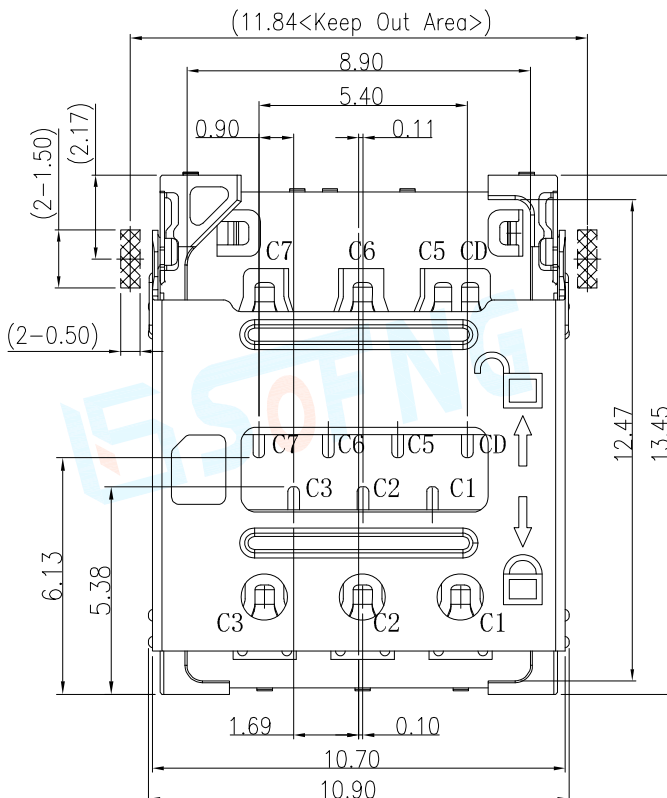
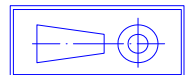
精密部品 NICETY

可靠 STABILIZE

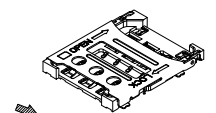
適合環保 RoHS

Page1

Unit:mm

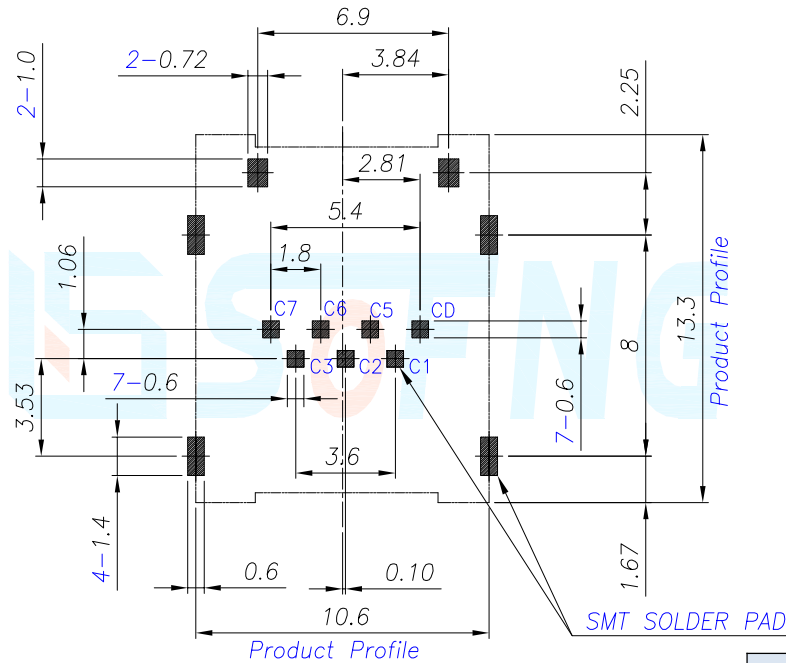


1. PLACE SIM CARD, THEN HINGE THE SHELL



2. SLIDE THE SHELL, CARD LOCKED

Operating Force	Inward	4.0~6.0N. (1N.=100gram-force)	Solder-ability (Max.)	IR Reflow:255°C,5sec.
	Exiting	4.0~6.0N. (1N.=100gram-force)		Manual:350°C,3sec.

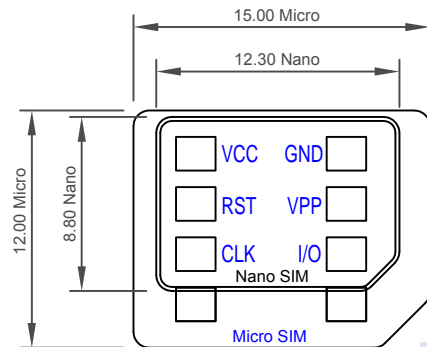


Pin definition

DECIMALS	ANGLES
.X :±0.20	X.° :±1.5°
.XX :±0.10	X.X° :±1.0°
.XXX :±0.05	.XXX° :±0.5°

SIM CARD Pin DESIGN

Pin No.	Pin NAME	Type	Description
C ①	卡電源	1	VCC
C ②	復位	1	RST
C ③	時鐘	1	CLK
C ④	Reserved	1	Reserved
C ⑤	接地	1	GND
C ⑥	Vpp	1	VPP
C ⑦	輸入/輸出	1	I/O
C ⑧	Reserved	1	Reserved

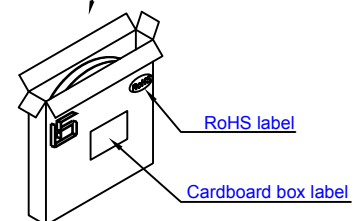
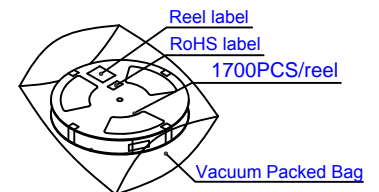


Reference

NANO-SIM

Material declaration

NAME	MATERIAL	PLATING
1 基座 HOUSING	LCP 耐热塑胶 (UL94V-0)BLACK	SET
2 接触端子 TERMINAL	C5210-EH (t=0.12mm)磷铜【镍基 Ni50u" 镀金 1u"】	G/F
3 上盖 COVER	SUS304(t=0.15mm)不锈钢【GND 焊点镀金 1u"】	G/F



注記 NOTICE

1. 碩方公司擁有最終解釋權；The SOFNG company reserves the right of final interpretation;
2. 文件禁止外洩、轉載；Leaked and reproduced prohibited;
3. 未經授權修改無效。Modify is invalid.

X-ON Electronics

Largest Supplier of Electrical and Electronic Components

Click to view similar products for [Memory Card Connectors](#) category:

Click to view products by [SOFNG](#) manufacturer:

Other Similar products are found below :

[6407-249V-25273P](#) [6407-249V-25343P](#) [6426-201-21343](#) [69.920.0553.0](#) [MCR60A-98D-2.54DSA\(70\)](#) [809180410000000](#) [DM3AT-SF-PEJM5\(41\)](#) [IC11S-BUR-PNEJL\(71\)](#) [C70210M0083692](#) [2041353-2](#) [308-DS1P0811-192](#) [HM2P09PDR360N9LF](#) [10014744-011TLF](#) [11327-001](#) [11327-002](#) [NX1-32T-KT3K\(05\)](#) [95622-003LF](#) [84648-056HLF](#) [CCM03-3109 B LFT](#) [MS3116J10-6PW](#) [2309923-1](#) [61126-050CAHLF](#) [GTFP08432B1HR](#) [G85D1160022HHR](#) [SCE2MSDB76A121SN](#) [SCE2MSDZN76A121SN](#) [10014744-011ALF](#) [10014744-011LF](#) [10057542-1211FLF](#) [10067972-000LF](#) [10067972-050LF](#) [10122302-20110LF](#) [G85D1162022HHR](#) [TF-05A](#) [M6014-12](#) [XKNANO-1412](#) [SMN-304-ARP6](#) [MIS11-S1F1-2000-A](#) [SMN-308-ARSP7](#) [MCS-302S-KT1B](#) [SMN-308-ACSP7](#) [K-DYX-008](#) [K-DYX-004](#) [C7024-03](#) [SMO-1030](#) [MCS-110-KT](#) [SIM-217](#) [SNO-1355-KT](#) [SMO-1025-P10](#) [SIM-211S-P6](#)