



LTEM NO.:TF-015 (Consumer Electronics)

(14.50L × 14.70W × 1.85H & T-Flash Sockets)

MEMORY-CARD-SOCKETS



Technical parameter

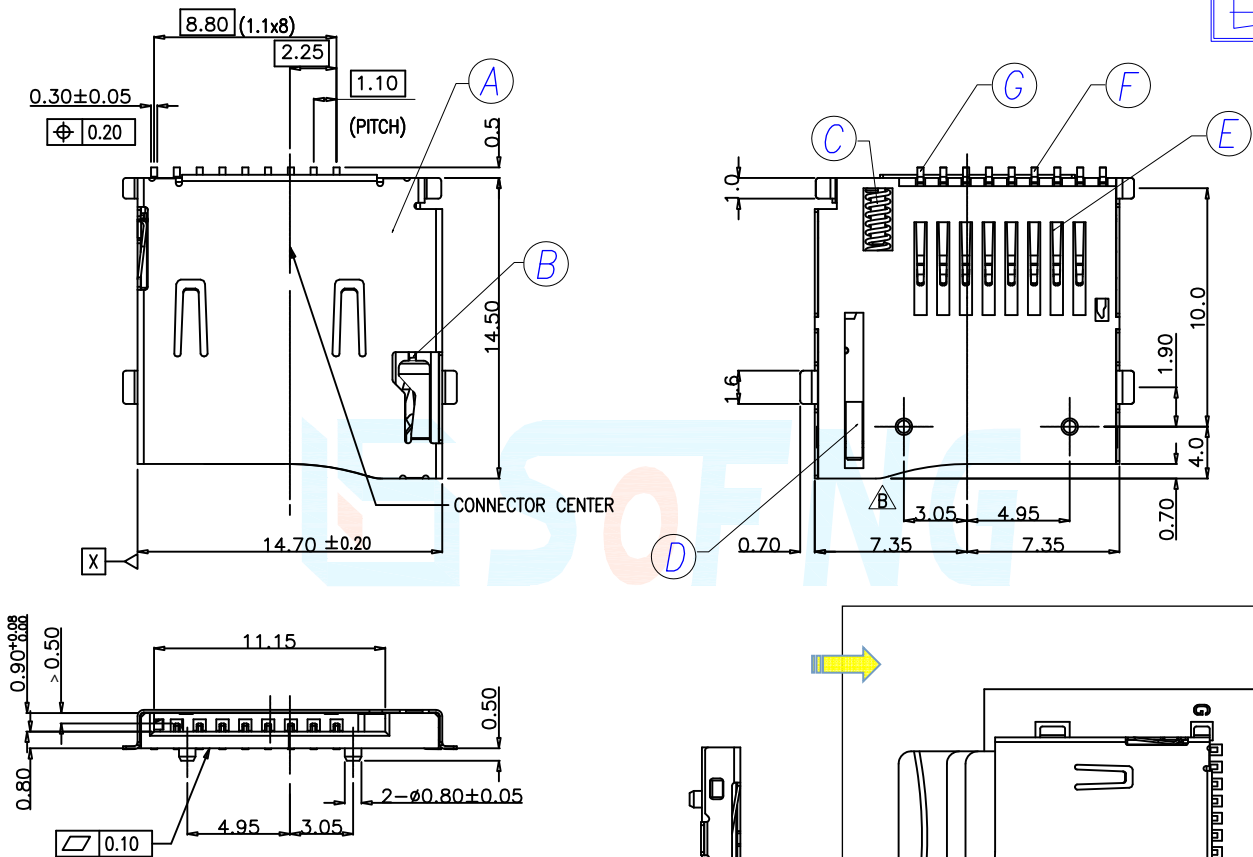
LEVEL		A[better product]	B[average product]
PROJECT	Contact Rating	25mA, 24V DC	
Electrical	Initial Contact Resistance	30mΩ max.	50mΩ max.
Properties	Insulation Resistance	100MΩ min.500V DC	
	Withstand Voltage	500V AC for 1 minute	350 V AC for 1 minut
Durable	There No Load	6,500 Cycles	5,500 Cycles
Performance	Rated Load	5,500 Cycles	4,000 Cycles
Storage temp.		-35℃~+85℃(Operating Temp:)	

COMPONENT

CARD DETECTION SWITCH	
WHEN CARD IS EJECTED	WHEN CARD IS INSERTED
OPEN	CLOSE
Cd G	Cd G

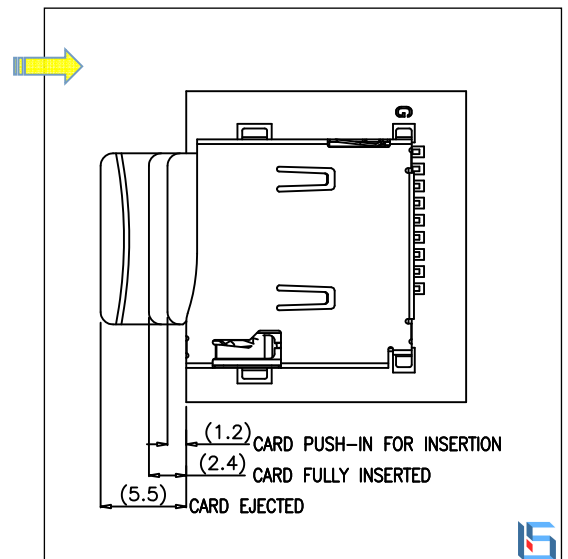
Page1

Unit:mm



Material declaration			
No.	NAME	MATERIAL	PLATING
① A	外壳	SUS301-3/4H(t=0.15mm)不锈钢【焊点镀金 1u"】	G/F
② B	线簧	象唛不锈钢线 OD=0.21mm	-
③ C	弹簧	SUS304(t=0.30mm)不锈钢	-
④ D	滑块	PA6T (Black)耐热尼龙塑料 THERMAL PLASTIC	SET
⑤ E	基座	LCP 30% (Black)耐热塑料 THERMAL PLASTIC	-
⑥ F	接触端子	C5191R-H (t=0.15mm)磷青铜【30u" 锡基镀金 1u"】	G/F
⑦ G	检测端子	C5191R-H (t=0.15mm)磷青铜【30u" 锡基镀金 1u"】	G/F

0.05±0.05
1.85



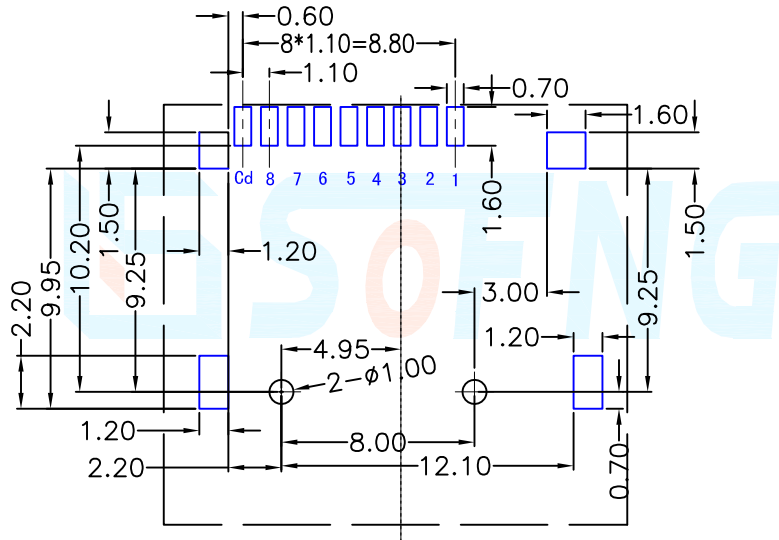
Operating Force

Inward
Exiting

8.0~12.0N. (1N.=100gram-force)
6.0N. (1N.=100gram-force)

Solder-ability (Max.)

IR Reflow: 250°C, 5sec. Manual: 350°C, 3sec.



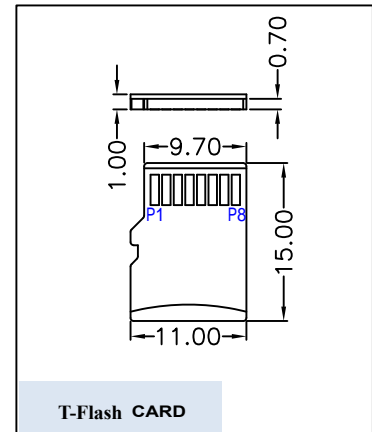
DECIMALS	ANGLES
X :±0.25	X° :±3°
X.X :±0.20	X.X° :±1°
X.XX :±0.15	X.XX° :±0.5°

Pin definition



T-Flash CARD

Pin No.	Pin NAME	Type	Description
PIN①	DAT2	I/O/PP	Date Line[Bit 2]
PIN②	CD/DAT3	I/O/PP	Card Detect Date Lin(Bit 3)
PIN③	CMD	PP	Command Response
PIN④	VDD	S	Supply voltage
PIN⑤	CLX	I	Clock
PIN⑥	Vss	S	Supply voltage ground
PIN⑦	DAT 0	I/O/PP	Date Line [Bit 0]
PIN⑧	DAT 1	I/O/PP	Date Line [Dit 1]



T-Flash CARD

本品不屬於危害性廢棄物,須丟棄時可以委託回收商予以回收再生處理。Products do not belong to hazardous waste,When waste can recycling processing



注記 NOTICE

1. 碩方公司擁有最終解釋權; The SOFNG company reserves the right of final interpretation;
2. 文件禁止外洩、轉載; Leaked and reproduced prohibited;
3. 未經授權修改無效。Modify is invalid.

運送時本產品不要直接與水、酸鹼性化學物質接觸,或放置於含有以上氣體環境中,並且需要注意會有滑落、側翻的危險發生; 運輸過程中不能有碰撞或者擠壓,須保證溫度與濕度適中 [常溫 25°C,濕度在 50°C 以內],不可導致材料變形或氧化。

X-ON Electronics

Largest Supplier of Electrical and Electronic Components

Click to view similar products for [Standard Card Edge Connectors](#) category:

Click to view products by [SOFNG](#) manufacturer:

Other Similar products are found below :

[CR7E-30DB-3.96E\(72\)](#) [6565204-6](#) [1437274-4](#) [EBT15622B2X](#) [1-582587-1](#) [284-0102-12100](#) [286-0052-12101A](#) [306022901000000](#) [307-012-502-202](#) [307-056-520-300](#) [A6D22DS29C2](#) [1926088-2](#) [287-0032-12101](#) [345-060-559-303](#) [392-008-559-201](#) [534671-1](#) [341-240-317](#) [345-044-500-300](#) [346-240-318](#) [387-012-523-300](#) [395-100-524-300](#) [09-07-2032](#) [10035388-802LF](#) [10115859-011LF](#) [10122859-009LF](#) [101269333204245CLF](#) [530555-1](#) [66925-516LF](#) [5145409-2](#) [73726-0005](#) [66308-1](#) [5036A30](#) [PEC-07-02-T-S-A](#) [346-014-520-801](#) [KSLX-62-BR](#) [307-048-502-202](#) [CE100F26-7-C](#) [CE100F28-3-D](#) [CE100F28-4-D](#) [CE156F18-9-C](#) [CE156F22-5-D](#) [CE156F22-9-C](#) [CT100F22-2-D](#) [CT100F22-3-D](#) [CT100F24-2-D](#) [CT100F24-3-D](#) [CT100F24-6-C](#) [CT156F22-4-D](#) [MLSS100-12-C](#) [MLSS100-16-C](#)