

Edco SRA64 Series

1 Pair Data/Signal

■ Surge Protection
For Business-Critical Continuity™

The Edco SRA64 Series surge suppressor is a single pair cube implementing three-stage hybrid technology. This cube addresses over voltage transients with gas tubes and silicon avalanche components. In addition, sneak and fault currents are mitigated with resettable fuses (PTCs). The PTCs increase resistance several orders of magnitude when over-currents exceed safe levels. A normal state resumes when over-currents are removed. The ability to self restore in this manner significantly increases suppressor performance and survivability.

The standard Edco SRA64 second stage clamps are placed from each signal line-to-ground. In certain cases, where ground potentials vary from site-to-site, a line-to-line only second stage clamp may be preferred. This variation is specified by a suffix “D” on the part number. In other cases, line-to-line and line-to-ground second stage clamps may be preferred. This variation uses an “X” suffix on the part number.

A variety of clamping voltages are available as standard. Reference the “How to Specify the Appropriate Model” section to insure that a complete part number description is obtained.

General Technical Specifications

Part Number	Edco SRA64 Series
Total Peak Surge Current	10kA (8 x 20 μs)
Response Time	<1 nanosecond
Voltage Clamp	8, 15, 20, 30, 36, 43, 50, 60, or 270
Resistance	5Ω (typical)
Temperature	-40°C to +85°C
Weight	2 oz.
Dimensions	1.15" Cube
Mounting Stud (standard)	No.10-32 x 1/2"
Warranty	5 years

Caution

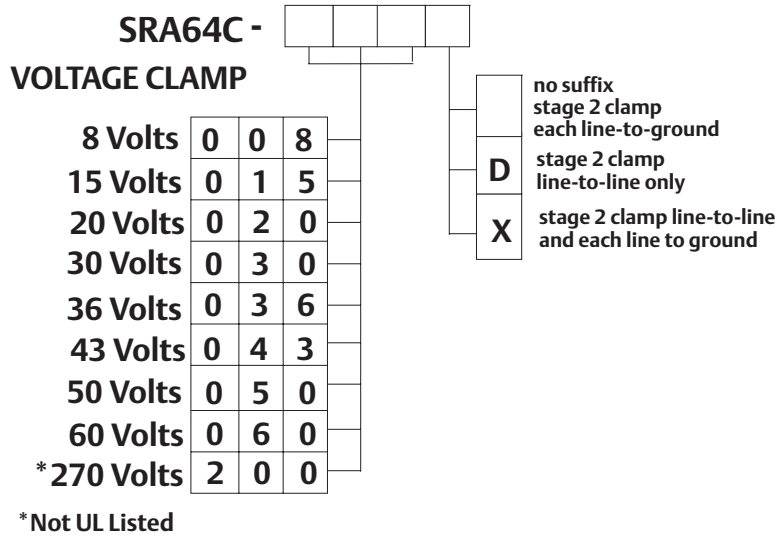
The hybrid design of this product includes series resistance. Do not place this product in service on any signal lines capable of supplying more than 150 milliampere continuously



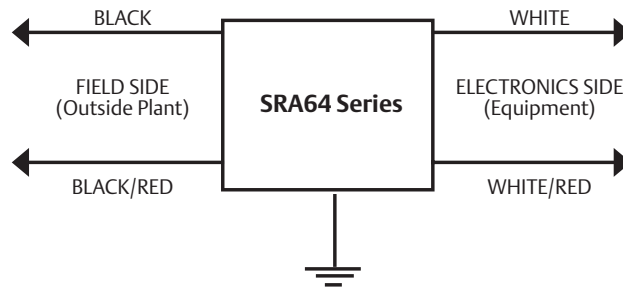
Features

- Lightning protection for balanced low voltage signal lines
- Multi-stage protection
- Sneak/fault current protection
- Differential and common mode protection
- Automatic recovery
- Fast response time
- Flame retardant epoxy encapsulated
- 5 year warranty

How to Specify the Appropriate Model



Wiring Assignments



Emerson Network Power.
The global leader in enabling
Business-Critical Continuity™.

- AC Power
- Embedded Computing
- Outside Plant
- Racks and Integrated Cabinets
- Connectivity
- Embedded Power
- Power Switching & Control
- Services
- DC Power
- Monitoring
- Precision Cooling
- Surge Protection

Emerson Network Power Contact information

Headquarters
Surge Protection
100 Emerson Parkway
Binghamton, NY 13905
T: (607) 721-8840
T: (800) 288-6169
F: (607) 722-8713
E: contactsurge@emerson.com

www.emersonnetworkpower.com



X-ON Electronics

Largest Supplier of Electrical and Electronic Components

Click to view similar products for [Surge Suppressors](#) category:

Click to view products by [Sola](#) manufacturer:

Other Similar products are found below :

[2800521](#) [GUS11](#) [GUS4](#) [30460](#) [1810-15-A3](#) [2713175](#) [4B06B-EC1-150LF](#) [SRA6LC](#) [CX06M](#) [CCTV1](#) [GUS13](#) [GUS14](#) [GUS5](#) [VAL-MS](#)
[320/3+0-FM](#) [TTC-6-1X2-M-24DC-UT-I](#) [TTC-6P-1X2-24DC-UT-I](#) [TTC-6P-1X2-M-24DC-UT-I](#) [VAL-SEC-T2-1S-350-FM](#) [VAL-US-](#)
[120/40/1+1-FM](#) [VAL-US-120/65/1+1-FM](#) [VAL-US-120/65/2+0-FM](#) [VAL-US-120/40/1+0-FM](#) [STCHSP121BT1RU](#) [LP-BFDN-CW](#) [LP-](#)
[STRL-DFE](#) [0804111](#) [5053609](#) [5053201](#) [SPD2-150-1P0](#) [SPD2-550-1P0](#) [1-2191595-2](#) [STC-CAT6-P0E-I](#) [TTC-6-2X1-24DC-UT](#) [DS71RS-120](#)
[P8AX09-T/MF](#) [CRMJ8-POE-C6](#) [DS42S-48DC](#) [MJ8-CAT6S](#) [DS41S-280](#) [3414.99.0021](#) [3414.99.0008](#) [STCSS640362](#) [SMTPA200](#)
[1063120000](#) [2800532](#) [2800786](#) [2800983](#) [2800989](#) [2081890000](#) [2080480000](#)