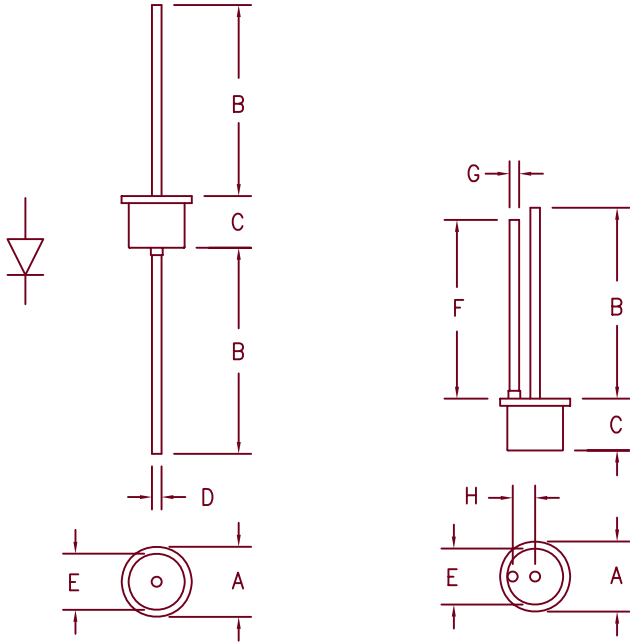


Silicon Rectifiers

1N4719–1N4725, 1N4997–1N5003



1N4719–1N4725

1N4997–1N5003

Dim.	Inches		Millimeter		Notes
	Minimum	Maximum	Minimum	Maximum	
A	---	.450	---	11.43	Dia.
B	.980	---	24.89	---	
C	---	.300	---	7.62	
D	.046	.056	1.17	1.42	Dia.
E	---	.350	---	8.89	Dia.
F	.960	---	24.38	---	
G	.031	.035	.79	.89	Dia.
H	.145	.165	3.68	4.19	

Microsemi Catalog Number

1N4719, 1N4997
 1N4720, 1N4998
 1N4721, 1N4999
 1N4722, 1N5000
 1N4723, 1N5001
 1N4724, 1N5002
 1N4725, 1N5003

Peak Reverse Voltage

50V
 100V
 200V
 400V
 600V
 800V
 1000V

- High Surge Capability
- 175°C Junction Temperature
- VRRM 50 to 1000 Volts
- 3 Amp Current Rating
- Hermetically Sealed

Electrical Characteristics

Average forward current
 Maximum surge current
 Max peak forward voltage
 Max peak reverse current

$I_F(AV)$ 3.0 Amps
 I_{FSM} 300 Amps
 V_{FM} 1.0 Volts
 I_{RM} 25 μ A

$T_A = 119^\circ\text{C}$, Square wave, $R_{\theta JL} = 12^\circ\text{C/W}$, $L = 1/4"$
 8.3ms, half sine, $T_J = 175^\circ\text{C}$
 $I_{FM} = 3.0A$; $T_J = 25^\circ\text{C}^*$
 $V_{RRM}, T_J = 25^\circ\text{C}$

*Pulse test: Pulse width 300 μ sec, Duty cycle 2%

Thermal and Mechanical Characteristics

Storage temperature range
 Operating junction temp range
 Maximum thermal resistance
 Weight

T_{STG}
 T_J
 $L = 1/4"$ $R_{\theta JL}$

-65°C to 175°C
 -65°C to 175°C
 12°C/W Junction to Lead
 .08 ounces (2.3 grams) typical



6 Lake Street
 Lawrence, MA 01841
 PH: (978) 620-2600
 FAX: (978) 689-0803
www.microsemi.com

05-01-07 Rev. 3

1N4719-1N4725, 1N4997-1N5003

Figure 1
Typical Forward Characteristics

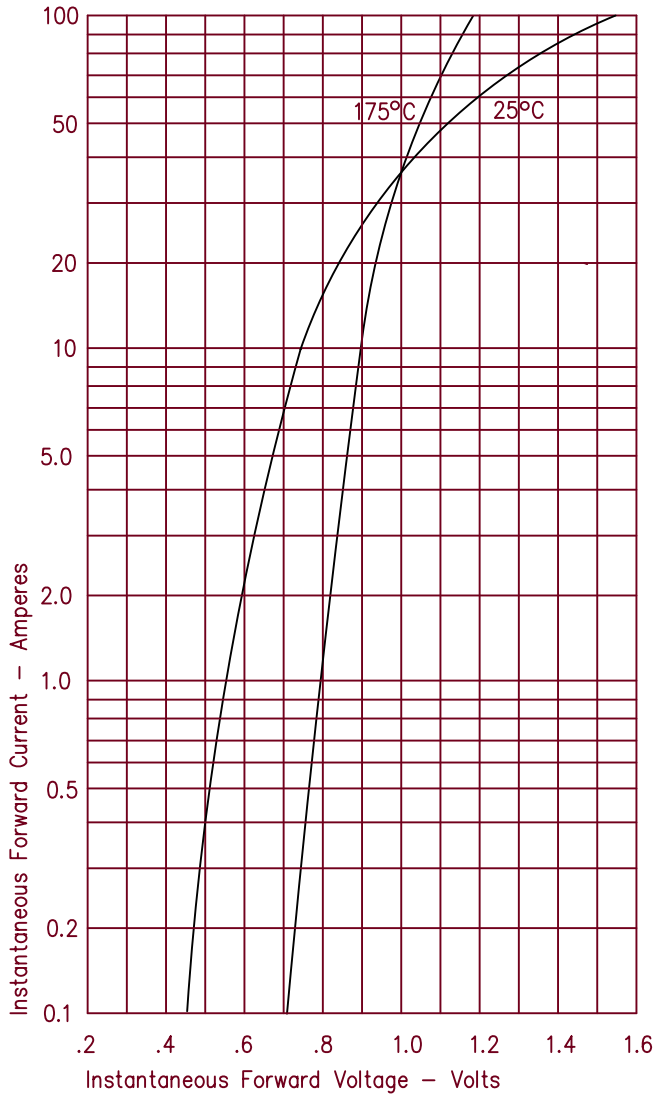


Figure 3
Forward Current Derating

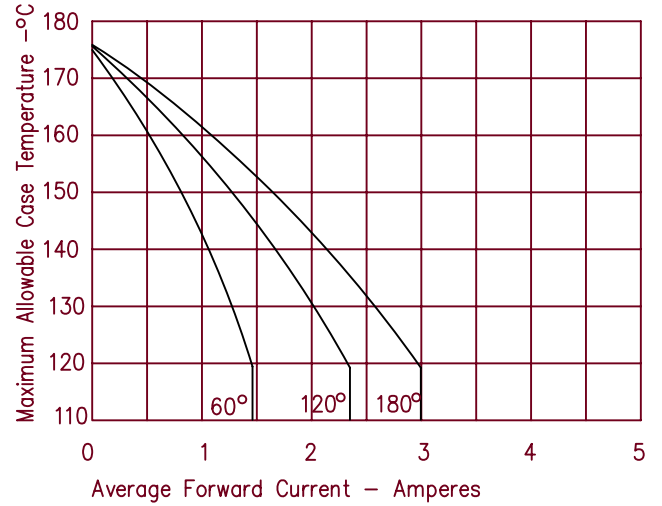
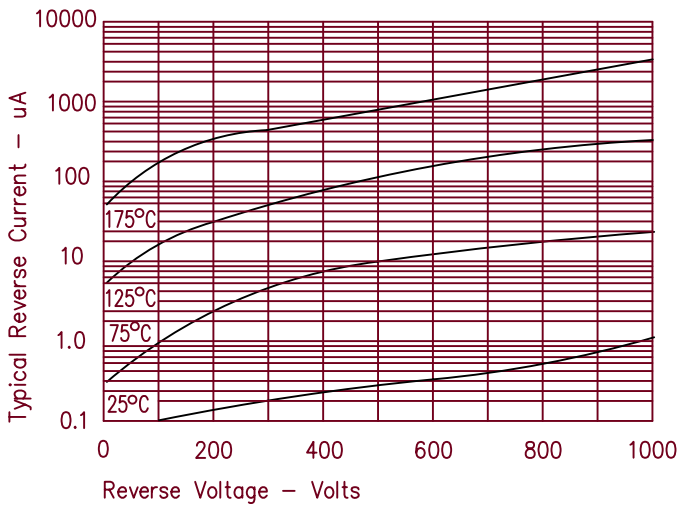


Figure 2
Typical Reverse Characteristics



X-ON Electronics

Largest Supplier of Electrical and Electronic Components

Click to view similar products for [Solid State manufacturer](#):

Other Similar products are found below :

[16F120](#) [16FR120](#) [1N1183A](#) [1N1186A](#) [1N1186RA](#) [1N1188A](#) [1N1188RA](#) [1N1190A](#) [1N1199A](#) [1N1201A](#) [1N1202A](#) [1N2158](#) [1N270](#)
[1N2971B](#) [1N2976B](#) [1N2978B](#) [1N2979B](#) [1N2982RB](#) [1N2986B](#) [1N2988B](#) [1N2997B](#) [1N3000B](#) [1N3011B](#) [1N3015B](#) [1N3309B](#) [1N3311B](#)
[1N3313B](#) [1N3315B](#) [1N3317B](#) [1N3319B](#) [1N3325B](#) [1N3327B](#) [1N3340B](#) [1N3493](#) [1N4553B](#) [1N5302](#) [1N5639A](#) [1N5645A](#) [1N5806](#) [1N5811](#)
[1N645-1](#) [25RIA120](#) [2N2323](#) [2N2324](#) [2N2326](#) [2N3442](#) [2N3500](#) [2N3773](#) [2N4857A](#) [2N4990](#)