



Silicon NPN Power Transistors

MJ16018

DESCRIPTION

- With TO-3 package
- High voltage ,high speed

APPLICATIONS

- Switching Regulators
- Inverters
- Solenoids
- Relay Drivers
- Motor Controls
- Deflection Circuits

PINNING

PIN	DESCRIPTION
1	Base
2	Emitter
3	Collector

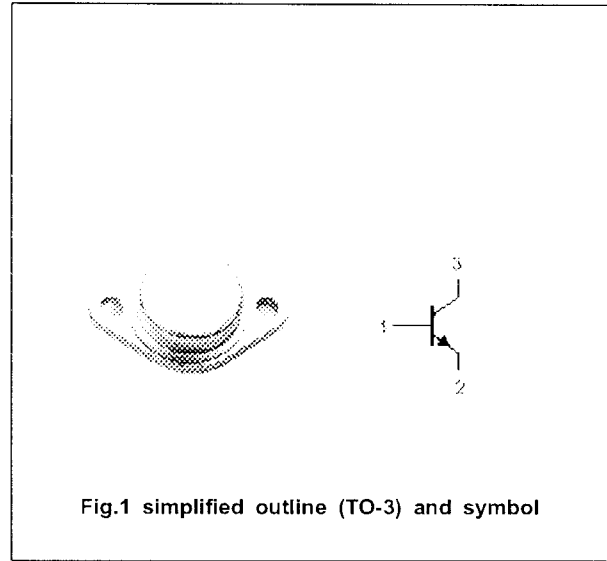


Fig.1 simplified outline (TO-3) and symbol

Absolute maximum ratings(Tc=25°C)

SYMBOL	PARAMETER	CONDITIONS	VALUE	UNIT
V _{CB0}	Collector-base voltage	Open emitter	1300	V
V _{CE0}	Collector-emitter voltage	Open base	750	V
V _{EB0}	Emitter-base voltage	Open collector	6	V
I _C	Collector current (DC)		10	A
I _{CM}	Collector current-Peak		15	A
I _B	Base current		8	A
I _{BM}	Base current-Peak		12	A
P _D	Total power dissipation	T _C =25°C T _C =100°C	175 100	W
T _j	Junction temperature		150	°C
T _{stg}	Storage temperature		-55~150	°C

THERMAL CHARACTERISTICS

SYMBOL	PARAMETER	VALUE	UNIT
R _{th J-C}	Thermal resistance junction to case	1.0	°C/W



Silicon NPN Power Transistors

MJ16018

CHARACTERISTICS

T_j=25°C unless otherwise specified

SYMBOL	PARAMETER	CONDITIONS	MIN	TYP.	MAX	UNIT
V _{CEQ(SUS)}	Collector-emitter sustaining voltage	I _C =50mA; I _B =0	750			V
V _{CEsat-1}	Collector-emitter saturation voltage	I _C =5A; I _B =2A T _C =110°C			1.0 1.5	V
V _{CEsat-2}	Collector-emitter saturation voltage	I _C =10A; I _B =5A			5.0	V
V _{BEsat}	Base-emitter saturation voltage	I _C =5A; I _B =2A T _C =110°C			1.5 1.5	V
I _{CEV}	Collector cut-off current	V _{CEV} =1300V, V _{BE(off)} =1.5Vdc T _C =100°C			0.25 1.50	mA
I _{CLR}	Collector cut-off current	V _{CE} =1300V; R _{BE} =50 Ω T _C =100°C			2.5	mA
I _{EBO}	Emitter cut-off current	V _{EB} =6V; I _C =0			0.1	mA
h _{FE}	DC current gain	I _C =5A; V _{CE} =5V	4			
C _{OB}	Collector output capacitance	f=1kHz; V _{CB} =10V			450	pF

Switching times resistive load

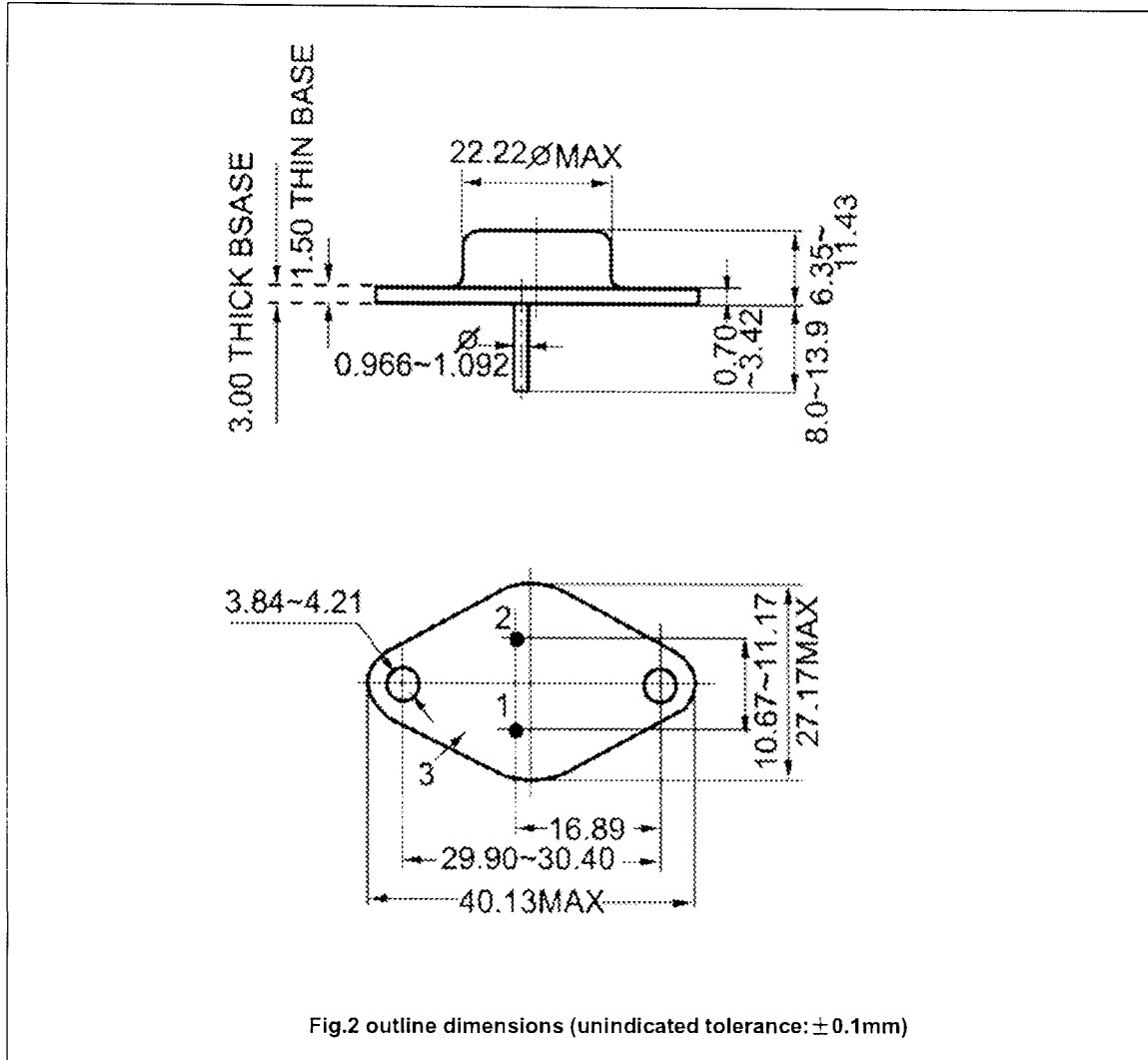
t _d	Delay time	I _C =5A; I _{B1} =I _{B2} =2.0A V _{CC} =250V, R _{B2} =3 Ω PW=25 μs Duty Cycle ≤ 2%		0.085	0.2	μs
t _r	Rise time			0.90	2.0	μs
t _s	Storage time			4.5	9.0	μs
t _f	Fall time			0.2	0.4	μs



Silicon NPN Power Transistors

MJ16018

PACKAGE OUTLINE



X-ON Electronics

Largest Supplier of Electrical and Electronic Components

Click to view similar products for [solid state manufacturer](#):

Other Similar products are found below :

[151RA120](#) [1N3008B](#) [MJ2955](#) [1N2976RB](#) [2N6165](#) [1N3317B](#) [P0900EA](#) [1N4056R](#) [1N5302](#) [1N3313B](#) [1N3327B](#) [2N2920](#) [2N2920A](#)
[1N3350RB](#) [1N4722](#) [2N6433](#) [1N2978B](#) [MJ11012](#) [1N4056](#) [1N3346B](#) [1N1184RA](#) [RCA423](#) [1N3015B](#) [2N3810](#) [1N2970B](#) [1N1183A](#)
[1N3000B](#) [50RIA80](#) [2N4857A](#) [1N2982RB](#) [50RIA40](#) [2N4856A](#) [MJ10000](#) [1N1185A](#) [2N4990](#) [1N2971B](#) [PMD16K80](#) [1N2989B](#) [70HFR60](#)
[70HFR40](#) [PMD17K100](#) [1N1199A](#) [KBPC3510W](#) [2N4858A](#) [1N3315B](#) [1N3309B](#) [KBPC5010](#) [3N201](#) [1N3913](#) [PMD16K100](#)