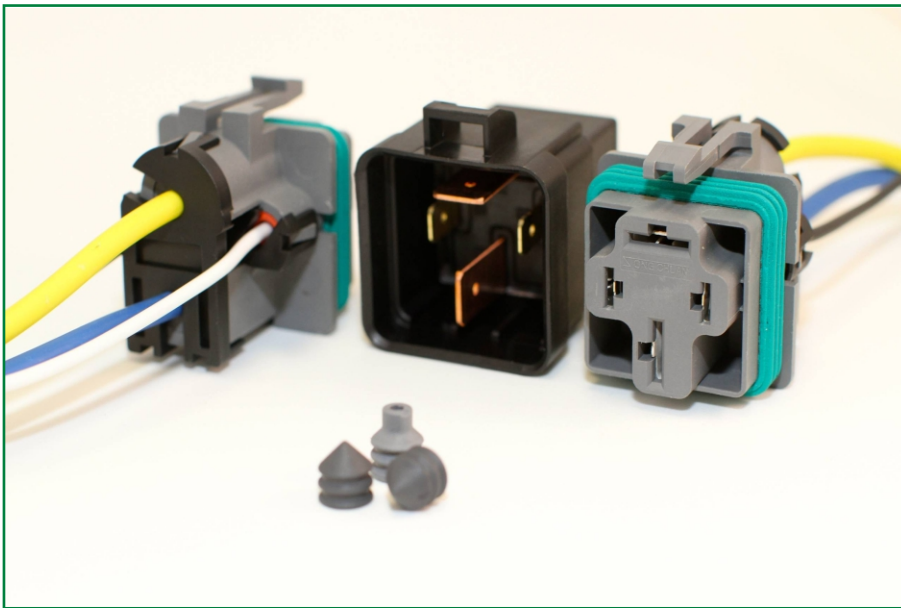




Weather Proof your **70 amp Power Relay** Song Chuan's new Weatherproof Socket Easy Push-to-seat terminals-**with TPA**



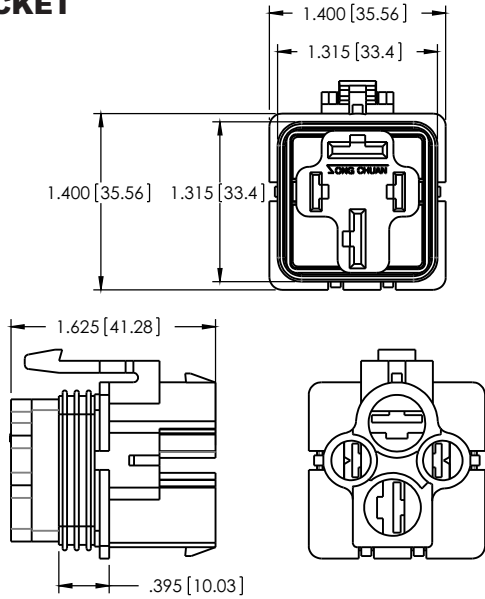
SC P/N	Item Description	Relay
897WPT	Power ISO Socket with TPA	897-D1SW
S18WP	Wire Seal - 18-20 AWG GXL (COIL)	
S10WP	Wire Seal - 10 AWG GXL	
SC Purchase Price		
897WPT	\$2.35 with TPA	@ 10K QTY
Seals 18AWG	\$0.08	@ 10K QTY
Seals 10AWG	\$0.19	@ 10K QTY

897WPT Terminals & Seals

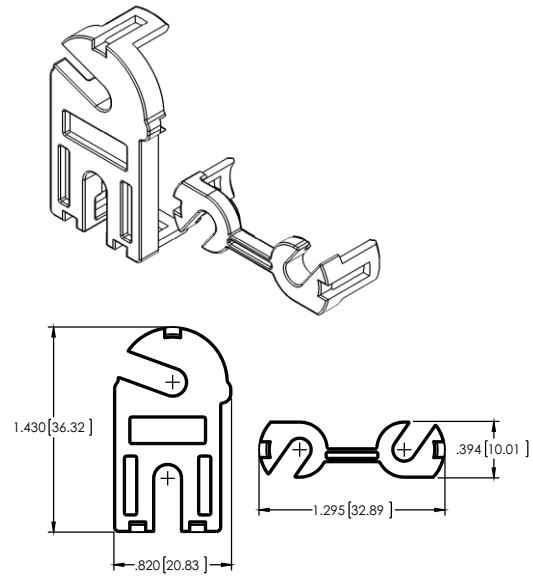
Recommended Terminals and Seals for 897WPT System				
Terminal Part No.	Brand	Wize Size (AWG-GXL)	Wire Seal Part No.	Seal Color
280755	TE Connectivity	10	S10WP	Grey
42100	TE Connectivity	18	S18WP	Orange

4 PIN WEATHERPROOF AUTOMOTIVE RELAY SOCKET

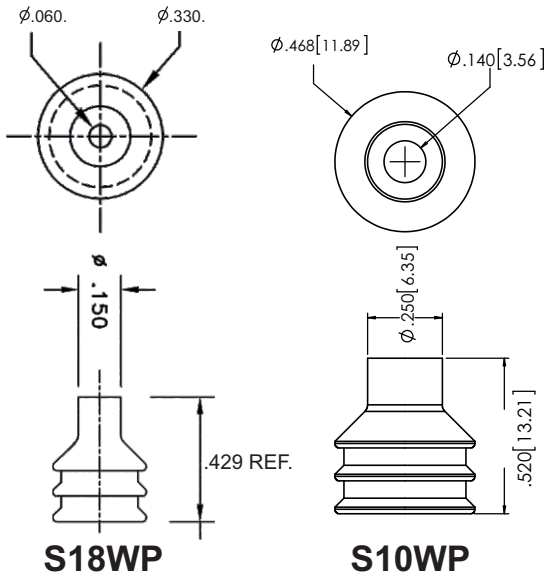
SOCKET



TPA ASSEMBLY



SEALS



Specifications | Weatherproof Sockets & Seals have been tested to rigorous SAE standards:

Material Specs.: Heat Resistant Nylon - Body Vydyne 909 Gasket - DJ Silicone NE-Z150

Salt Spray: ASTM B117/SAE1455

Dust Bombardment: SAE 1455, sect. 4.7

Fluid Compatibility: SAE 1455, sect. 4.4

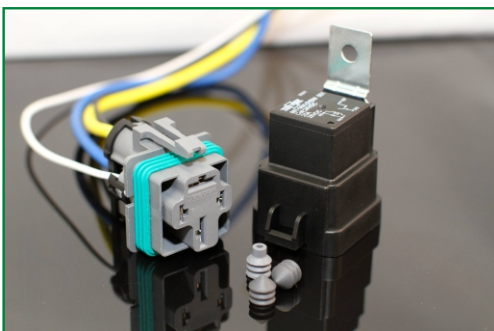
Temp Range: -40° to 130° C

Flammability: 94V-0

Compliant to GMW 3191 sect. 4.9: when used with recommended terminals and seals.

IP67 Rated

Contact us for free sample and trial



2841 Center Port Circle, Pompano Beach, Florida 33064 | 954-788-5889

www.songchuanusa.com

X-ON Electronics

Largest Supplier of Electrical and Electronic Components

Click to view similar products for [Relay Sockets & Fixings](#) category:

Click to view products by [Song Chuan](#) manufacturer:

Other Similar products are found below :

[00008258500](#) [00111976502](#) [0000-825-81-00](#) [60SY4S05](#) [M41G](#) [670-0125](#) [670-0127](#) [6700152](#) [670-0153](#) [6700156](#) [D258-2TS00](#) [70-309](#) [7-1393143-3](#) [7-1616360-5](#) [8000-DG2-5](#) [911361](#) [9-1616339-5](#) [PJF11N](#) [GDA12HA](#) [GDA12HD](#) [GDA12SA](#) [GDA12SD](#) [GDA16HD](#) [GDA22HA](#) [GDA95A](#) [GDA95D](#) [GFX20](#) [PT08QN](#) [PT 1/8 D = 3.2](#) [GUA1](#) [GUA2-11](#) [GUA4-04](#) [GUA4-31](#) [GUM5R](#) [GUR-120](#) [GUR-24](#) [GUR-240](#) [GUR-277](#) [GURX-277](#) [GUW12](#) [GUW95](#) [GUZ63L](#) [R99-11 FOR MY\(NAMEPLATE\)](#) [D52PR2T](#) [RES100K](#) [1310H-HDC](#) [1390H-1ST](#) [1393824-3](#) [1390H-2PC](#) [1410-2SM](#)