

# 小型包封金属化聚酯膜电容器

## (MEF/CL21X) 规格书

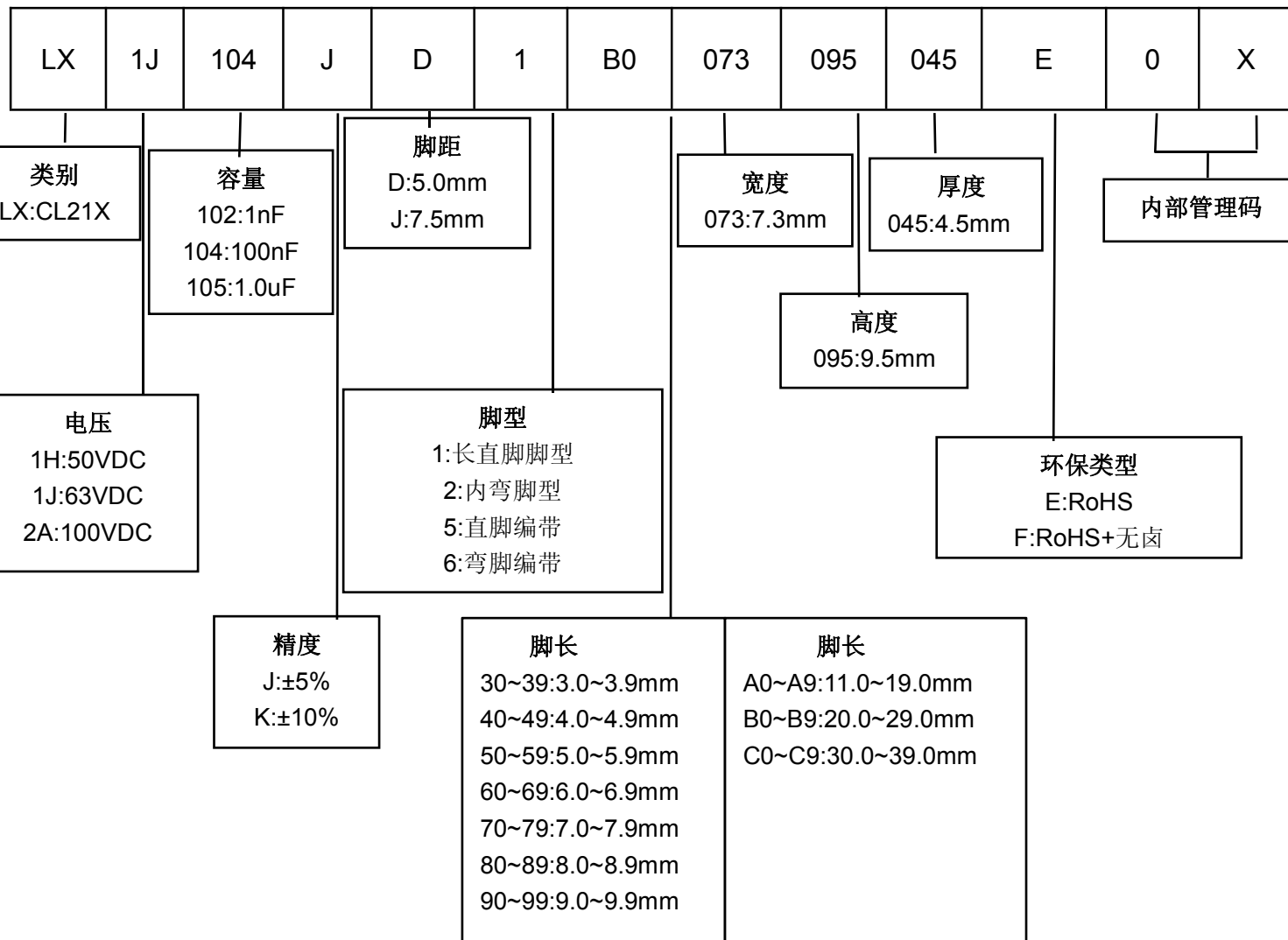
### 特点

- 电容器容量范围从 0.01 $\mu$ F 到 1.0 $\mu$ F。
- 工作温度：-40 $^{\circ}$ C ~ 125 $^{\circ}$ C。  
(+105 $^{\circ}$ C 到 +125 $^{\circ}$ C 每上升 1 $^{\circ}$ C，降低 1.25%倍电压)
- 储存温度：15 $^{\circ}$ C ~ 35 $^{\circ}$ C。
- 有自愈的性能。
- 金属化聚酯膜，无感结构。
- 体积小。
- 环氧树脂包封。

### 用途

- 适用于旁路，隔直和耦合。
- 广泛应用于滤波，低脉冲线路。

## 料号编码原则



## 技术要求

|       |   |
|-------|---|
| 气候类别  | 40/100/56   |
| 额定电压  | 50VDC、63VDC、100VDC  |
| 损耗角正切 | ≤1.0%(1KHz、1.0Vrms、20℃)   |
| 耐电压   | 1.6U <sub>R</sub> (5s)  |
| 绝缘电阻  | C≤0.33uF, IR≥15000MΩ<br>C>0.33uF, IR≥5000S<br>(AT 100VDC、60SEC、20℃) |

## 外形尺寸 (mm)

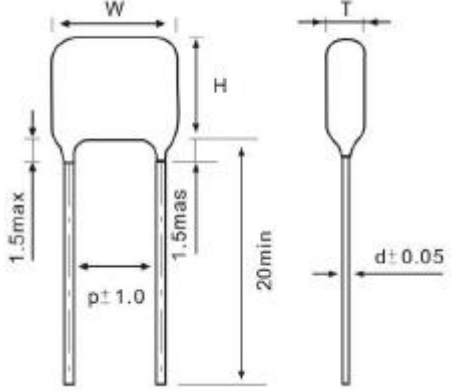
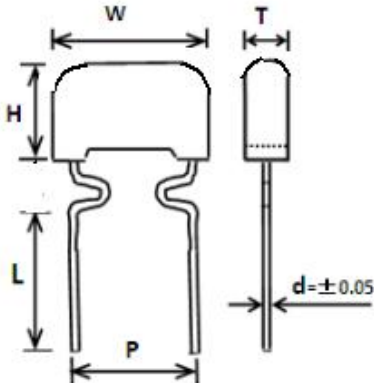


| 容量(uF) | 电压           | 尺寸 (mm) |       |       |         |          |
|--------|--------------|---------|-------|-------|---------|----------|
|        |              | W Max   | H Max | T Max | P ± 1.0 | d ± 0.05 |
| 0.001  | 50VD / 63VDC | 7.5     | 7.0   | 3.5   | 5.0     | 0.5      |
|        | 100VDC       | 7.5     | 7.0   | 3.5   | 5.0     | 0.5      |
| 0.0012 | 50VD / 63VDC | 7.3     | 7.0   | 3.5   | 5.0     | 0.5      |
|        | 100VDC       | 7.3     | 7.0   | 3.5   | 5.0     | 0.5      |
| 0.0015 | 50VD / 63VDC | 7.3     | 7.0   | 4.0   | 5.0     | 0.5      |
|        | 100VDC       | 7.3     | 7.0   | 4.0   | 5.0     | 0.5      |
| 0.0018 | 50VD / 63VDC | 7.3     | 7.5   | 4.0   | 5.0     | 0.5      |
|        | 100VDC       | 7.3     | 7.5   | 4.0   | 5.0     | 0.5      |
| 0.0022 | 50VD / 63VDC | 7.3     | 7.5   | 4.0   | 5.0     | 0.5      |
|        | 100VDC       | 7.3     | 7.5   | 4.0   | 5.0     | 0.5      |
| 0.0027 | 50VD / 63VDC | 7.3     | 7.5   | 4.0   | 5.0     | 0.5      |
|        | 100VDC       | 7.3     | 7.5   | 4.0   | 5.0     | 0.5      |
| 0.0033 | 50VD / 63VDC | 7.3     | 7.5   | 4.0   | 5.0     | 0.5      |
|        | 100VDC       | 7.3     | 7.5   | 4.0   | 5.0     | 0.5      |
| 0.0039 | 50VD / 63VDC | 7.3     | 7.5   | 4.0   | 5.0     | 0.5      |
|        | 100VDC       | 7.3     | 7.5   | 4.0   | 5.0     | 0.5      |
| 0.0047 | 50VD / 63VDC | 7.3     | 7.5   | 4.0   | 5.0     | 0.5      |
|        | 100VDC       | 7.3     | 7.5   | 4.0   | 5.0     | 0.5      |
| 0.0056 | 50VD / 63VDC | 7.3     | 7.5   | 4.0   | 5.0     | 0.5      |
|        | 100VDC       | 7.3     | 7.5   | 4.0   | 5.0     | 0.5      |
| 0.0068 | 50VD / 63VDC | 7.3     | 7.5   | 4.0   | 5.0     | 0.5      |
|        | 100VDC       | 7.3     | 7.5   | 4.0   | 5.0     | 0.5      |
| 0.0082 | 50VD / 63VDC | 7.3     | 7.5   | 4.0   | 5.0     | 0.5      |
|        | 100VDC       | 7.3     | 7.5   | 4.0   | 5.0     | 0.5      |

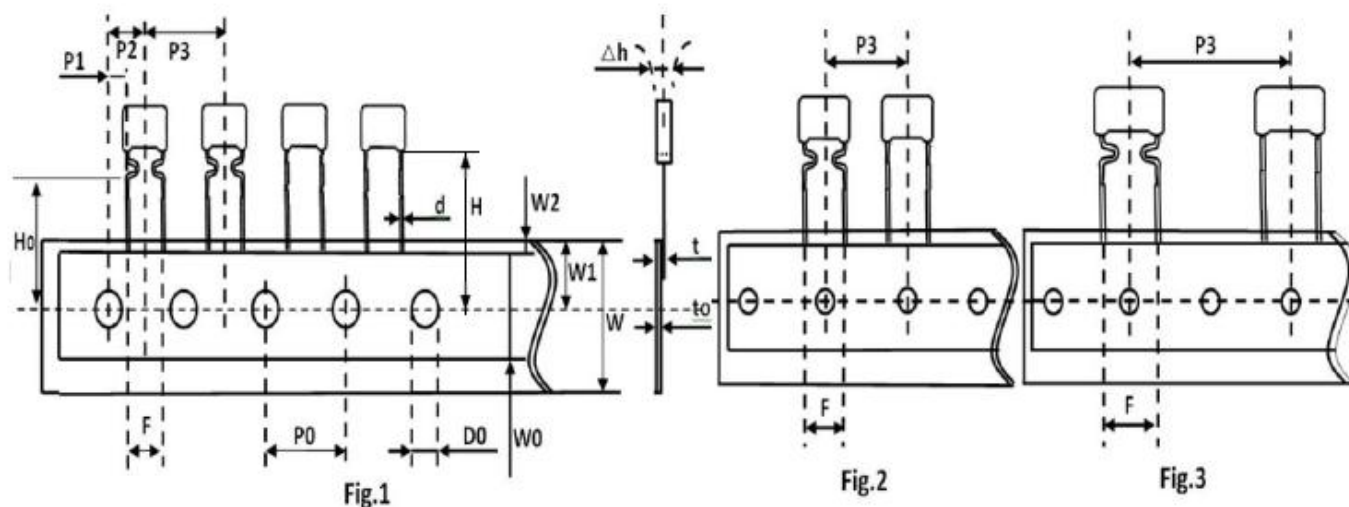
| 容量(uF) | 电压           | 尺寸 (mm) |       |       |       |        |
|--------|--------------|---------|-------|-------|-------|--------|
|        |              | W Max   | H Max | T Max | P±1.0 | d±0.05 |
| 0.01   | 50VD / 63VDC | 7.3     | 7.5   | 4.0   | 5.0   | 0.5    |
|        | 100VDC       | 7.3     | 7.5   | 4.0   | 5.0   | 0.5    |
| 0.012  | 50VD / 63VDC | 7.3     | 7.5   | 4.0   | 5.0   | 0.5    |
|        | 100VDC       | 7.3     | 7.5   | 4.0   | 5.0   | 0.5    |
| 0.015  | 50VD / 63VDC | 7.3     | 7.5   | 4.0   | 5.0   | 0.5    |
|        | 100VDC       | 7.3     | 7.5   | 4.0   | 5.0   | 0.5    |
| 0.018  | 50VD / 63VDC | 7.3     | 7.5   | 4.0   | 5.0   | 0.5    |
|        | 100VDC       | 7.3     | 7.5   | 4.0   | 5.0   | 0.5    |
| 0.022  | 50VD / 63VDC | 7.3     | 7.5   | 4.0   | 5.0   | 0.5    |
|        | 100VDC       | 7.3     | 7.5   | 4.0   | 5.0   | 0.5    |
| 0.027  | 50VD / 63VDC | 7.3     | 7.5   | 4.0   | 5.0   | 0.5    |
|        | 100VDC       | 7.3     | 7.5   | 4.0   | 5.0   | 0.5    |
| 0.033  | 50VD / 63VDC | 7.3     | 7.5   | 4.0   | 5.0   | 0.5    |
|        | 100VDC       | 7.3     | 7.5   | 4.0   | 5.0   | 0.5    |
| 0.039  | 50VD / 63VDC | 7.3     | 7.5   | 4.0   | 5.0   | 0.5    |
|        | 100VDC       | 7.3     | 7.5   | 4.0   | 5.0   | 0.5    |
| 0.047  | 50VD / 63VDC | 7.3     | 7.5   | 4.0   | 5.0   | 0.5    |
|        | 100VDC       | 7.3     | 7.5   | 4.0   | 5.0   | 0.5    |
| 0.056  | 50VD / 63VDC | 7.3     | 7.5   | 4.0   | 5.0   | 0.5    |
|        | 100VDC       | 7.3     | 7.5   | 4.0   | 5.0   | 0.5    |
| 0.068  | 50VD / 63VDC | 7.3     | 7.5   | 4.0   | 5.0   | 0.5    |
|        | 100VDC       | 7.3     | 7.5   | 4.0   | 5.0   | 0.5    |
| 0.082  | 50VD / 63VDC | 7.3     | 8.0   | 4.5   | 5.0   | 0.5    |
|        | 100VDC       | 7.3     | 8.0   | 4.5   | 5.0   | 0.5    |
| 0.1    | 50VD / 63VDC | 7.3     | 9.5   | 4.5   | 5.0   | 0.5    |
|        | 100VDC       | 7.5     | 9.5   | 4.5   | 5.0   | 0.5    |
| 0.12   | 50VD / 63VDC | 7.5     | 7.5   | 4.0   | 7.5   | 0.6    |
|        | 100VDC       | 10.5    | 7.5   | 4.0   | 7.5   | 0.6    |
| 0.15   | 50VD / 63VDC | 10.5    | 9.0   | 4.0   | 7.5   | 0.6    |
|        | 100VDC       | 10.3    | 9.0   | 4.0   | 7.5   | 0.6    |
| 0.22   | 50VD / 63VDC | 10.3    | 9.5   | 4.5   | 7.5   | 0.6    |
|        | 100VDC       | 10.3    | 9.5   | 4.5   | 7.5   | 0.6    |
| 0.27   | 50VD / 63VDC | 10.3    | 10.0  | 5.0   | 7.5   | 0.6    |
|        | 100VDC       | 10.3    | 10.0  | 5.0   | 7.5   | 0.6    |
| 0.33   | 50VD / 63VDC | 10.3    | 10.0  | 5.0   | 7.5   | 0.6    |
|        | 100VDC       | 10.3    | 10.5  | 5.5   | 7.5   | 0.6    |

| 容量(uF) | 电压           | 尺寸 (mm) |       |       |       |        |
|--------|--------------|---------|-------|-------|-------|--------|
|        |              | W Max   | H Max | T Max | P±1.0 | d±0.05 |
| 0.39   | 50VD / 63VDC | 10.3    | 10.0  | 5.0   | 7.5   | 0.6    |
|        | 100VDC       | 10.3    | 11.0  | 6.0   | 7.5   | 0.6    |
| 0.47   | 50VD / 63VDC | 10.3    | 10.0  | 5.0   | 7.5   | 0.6    |
|        | 100VDC       | 10.3    | 11.5  | 6.5   | 7.5   | 0.6    |
| 0.56   | 50VD / 63VDC | 10.3    | 10.0  | 5.5   | 7.5   | 0.6    |
|        | 100VDC       | 10.3    | 11.5  | 7.0   | 7.5   | 0.6    |
| 0.68   | 50VD / 63VDC | 10.3    | 10.0  | 5.5   | 7.5   | 0.6    |
|        | 100VDC       | 10.3    | 12.0  | 8.0   | 7.5   | 0.6    |
| 0.82   | 50VD / 63VDC | 10.3    | 10.0  | 6.5   | 7.5   | 0.6    |
|        | 100VDC       | 10.3    | 13.0  | 9.0   | 7.5   | 0.6    |
| 1.0    | 50VD / 63VDC | 10.5    | 10.5  | 7.0   | 7.5   | 0.6    |
|        | 100VDC       | 10.5    | 14.0  | 9.5   | 7.5   | 0.6    |

## 脚型、脚长说明

| 脚型    | 图示   | 脚长 L (mm)  |
|-------|--|--|
| 长直脚脚型 |   | ① $[2.5 \leq L < 6.0] + / - 0.5$ ;<br>② $[6.0 \leq L \leq 10] + / - 1.0$ |
| 内弯脚型  |  | ① $[2.5 \leq L < 6.0] + / - 0.5$ ;<br>② $[6.0 \leq L \leq 10] + / - 1.0$ |

## 编带尺寸 (mm)



| 代码 | Fig.1 | Fig.2 | Fig.2 | Fig.3 | Fig.3     | 误差        |
|----|-------|-------|-------|-------|-----------|-----------|
|    | P=5.0 | P=7.5 | P=10  | P=15  | P=20/22.5 |           |
| P3 | 12.7  | 12.7  | 12.7  | 25.4  | 30.0      | ±1.0      |
| P2 | 6.35  | /     | /     | /     | /         | ±1.3      |
| P0 | 12.7  | 12.7  | 12.7  | 12.7  | 15.0      | ±0.3      |
| P1 | 3.85  | /     | /     | /     | /         | ±0.7      |
| F  | 5.0   | 7.5   | 10.0  | 15.0  | 20.0/22.5 | ±1.0      |
| H  | 20.0  | 20.0  | 20.0  | 20.0  | 20.0      | ±1.0      |
| H0 | 16.5  | 16.5  | 16.5  | 16.5  | 16.5      | ±0.5      |
| Δh | 0     | 0     | 0     | 0     | 0         | ±2.0      |
| W  | 18.0  | 18.0  | 18.0  | 18.0  | 18.0      | +1.0/-0.5 |
| W0 | 12.0  | 12.0  | 12.0  | 12.0  | 12.0      | ±1.0      |
| W1 | 9.0   | 9.0   | 9.0   | 9.0   | 9.0       | ±0.5      |
| W2 | 3.0   | 3.0   | 3.0   | 3.0   | 3.0       | Max       |
| D0 | 4.0   | 4.0   | 4.0   | 4.0   | 4.0       | ±0.3      |
| d  | 0.5   | 0.6   | 0.6   | 0.8   | 0.8       | ±0.05     |
| t  | 1.0   | 1.1   | 1.1   | 1.4   | 1.4       | ±0.2      |
| t0 | 0.38  | 0.38  | 0.38  | 0.47  | 0.47      | ±0.04     |

## X-ON Electronics

Largest Supplier of Electrical and Electronic Components

*Click to view similar products for [Film Capacitors](#) category:*

*Click to view products by [Songtian](#) manufacturer:*

Other Similar products are found below :

[F339X134748MIP2T0](#) [F450KG153J250ALH0J](#) [750-1018](#) [FKP1-1500160010P15](#) [FKP1R031007D00JYSD](#) [FKP1R031507E00JYSD](#)  
[FKP1U024707E00KYSD](#) [82DC4100CK60J](#) [82EC1100DQ50K](#) [PFR5101J100J11L16.5TA18](#) [PME261JB5220KR19T0](#) [A451GK223M040A](#)  
[A561ED221M450A](#) [QXJ2E474KTPT](#) [QXL2B333KTPT](#) [R49AN347000A1K](#) [EEC2G505HQA406](#) [B25668A6676A375](#) [B25673A4282E140](#)  
[BFC233868148](#) [BFC2370GC222](#) [C3B2AD44400B20K](#) [C4ASWBU3220A3EK](#) [CB027C0473J--](#) [CB177I0184J--](#) [CB182K0184J--](#) [23PW210](#)  
[950CQW5H-F](#) [SBDC3470AA10J](#) [SCD105K122A3-22](#) [2N3155](#) [A571EH331M450A](#) [FKP1-2202KV5P15](#) [FKS3-680040010P10](#)  
[QXL2E473KTPT](#) [445450-1](#) [B25669A3996J375](#) [46KI322000M1M](#) [46KR415050M1K](#) [4BSNBX4100ZBFJ](#) [MKP383510063JKP2T0](#)  
[MKPY2-.02230020P15](#) [MKT 1813-368-015](#) [4055292001](#) [46KN410000N1K](#) [EEC2E106HQA405](#) [EEC2G205HQA402](#) [EEC2G805HQA415](#)  
[P409CP224M250AH470](#) [82EC2150DQ50K](#)