

小型包封金属化聚酯膜电容器

(MEF/CL21X) 规格书

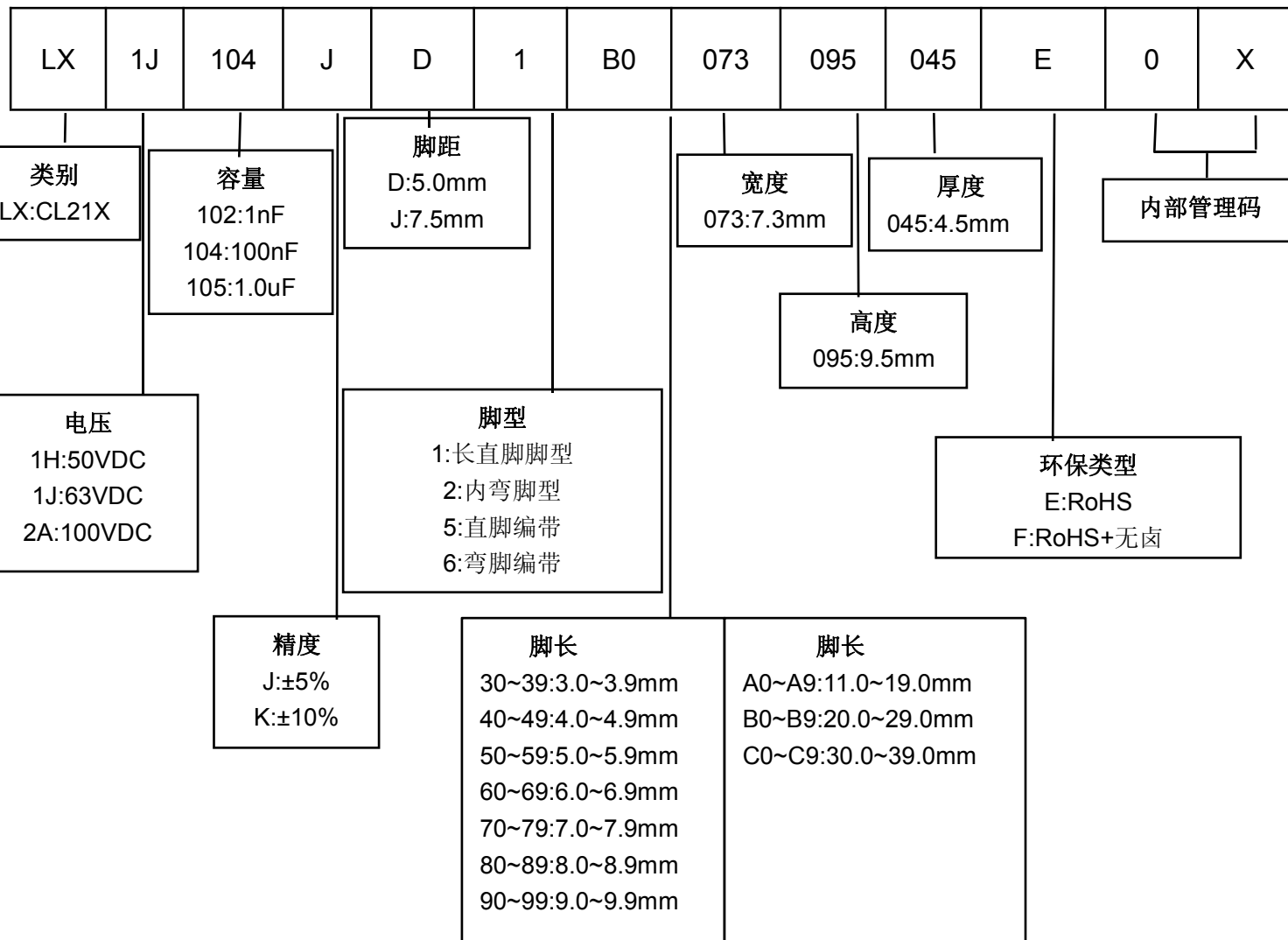
特点

- 电容器容量范围从 0.01uF 到 1.0uF。
- 工作温度：-40℃~125℃。
(+105℃ 到 +125℃ 每上升 1℃，降低 1.25%倍电压)
- 储存温度：15℃~35℃。
- 有自愈的性能。
- 金属化聚酯膜，无感结构。
- 体积小。
- 环氧树脂包封。

用途

- 适用于旁路，隔直和耦合。
- 广泛应用于滤波，低脉冲线路。

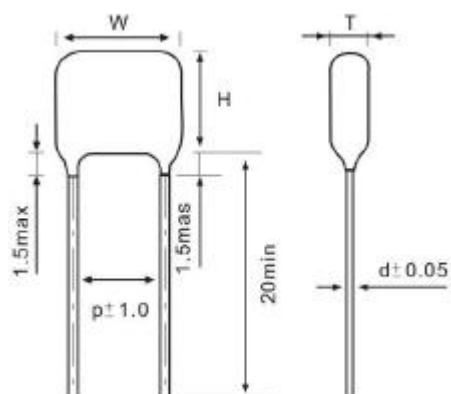
料号编码原则



技术要求

| | |
|-------|---|
| 气候类别 | 40/100/56 |
| 额定电压 | 50VDC、63VDC、100VDC |
| 损耗角正切 | ≤1.0%(1KHz、1.0Vrms、20℃) |
| 耐电压 | 1.6U _R (5s) |
| 绝缘电阻 | C≤0.33uF, IR≥15000MΩ C>0.33uF, IR≥5000S (AT 100VDC、60SEC、20℃) |

外形尺寸 (mm)

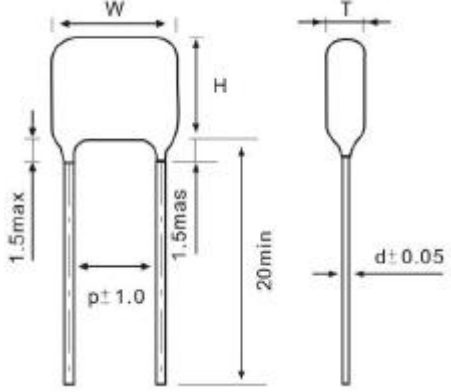
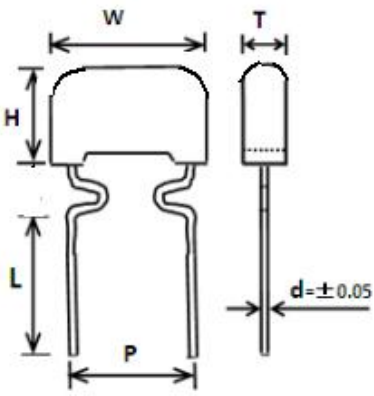


| 容量(uF) | 电压 | 尺寸 (mm) | | | | |
|--------|--------------|---------|-------|-------|-------|--------|
| | | W Max | H Max | T Max | P±1.0 | d±0.05 |
| 0.001 | 50VD / 63VDC | 7.5 | 7.0 | 3.5 | 5.0 | 0.5 |
| | 100VDC | 7.5 | 7.0 | 3.5 | 5.0 | 0.5 |
| 0.0012 | 50VD / 63VDC | 7.3 | 7.0 | 3.5 | 5.0 | 0.5 |
| | 100VDC | 7.3 | 7.0 | 3.5 | 5.0 | 0.5 |
| 0.0015 | 50VD / 63VDC | 7.3 | 7.0 | 4.0 | 5.0 | 0.5 |
| | 100VDC | 7.3 | 7.0 | 4.0 | 5.0 | 0.5 |
| 0.0018 | 50VD / 63VDC | 7.3 | 7.5 | 4.0 | 5.0 | 0.5 |
| | 100VDC | 7.3 | 7.5 | 4.0 | 5.0 | 0.5 |
| 0.0022 | 50VD / 63VDC | 7.3 | 7.5 | 4.0 | 5.0 | 0.5 |
| | 100VDC | 7.3 | 7.5 | 4.0 | 5.0 | 0.5 |
| 0.0027 | 50VD / 63VDC | 7.3 | 7.5 | 4.0 | 5.0 | 0.5 |
| | 100VDC | 7.3 | 7.5 | 4.0 | 5.0 | 0.5 |
| 0.0033 | 50VD / 63VDC | 7.3 | 7.5 | 4.0 | 5.0 | 0.5 |
| | 100VDC | 7.3 | 7.5 | 4.0 | 5.0 | 0.5 |
| 0.0039 | 50VD / 63VDC | 7.3 | 7.5 | 4.0 | 5.0 | 0.5 |
| | 100VDC | 7.3 | 7.5 | 4.0 | 5.0 | 0.5 |
| 0.0047 | 50VD / 63VDC | 7.3 | 7.5 | 4.0 | 5.0 | 0.5 |
| | 100VDC | 7.3 | 7.5 | 4.0 | 5.0 | 0.5 |
| 0.0056 | 50VD / 63VDC | 7.3 | 7.5 | 4.0 | 5.0 | 0.5 |
| | 100VDC | 7.3 | 7.5 | 4.0 | 5.0 | 0.5 |
| 0.0068 | 50VD / 63VDC | 7.3 | 7.5 | 4.0 | 5.0 | 0.5 |
| | 100VDC | 7.3 | 7.5 | 4.0 | 5.0 | 0.5 |
| 0.0082 | 50VD / 63VDC | 7.3 | 7.5 | 4.0 | 5.0 | 0.5 |
| | 100VDC | 7.3 | 7.5 | 4.0 | 5.0 | 0.5 |

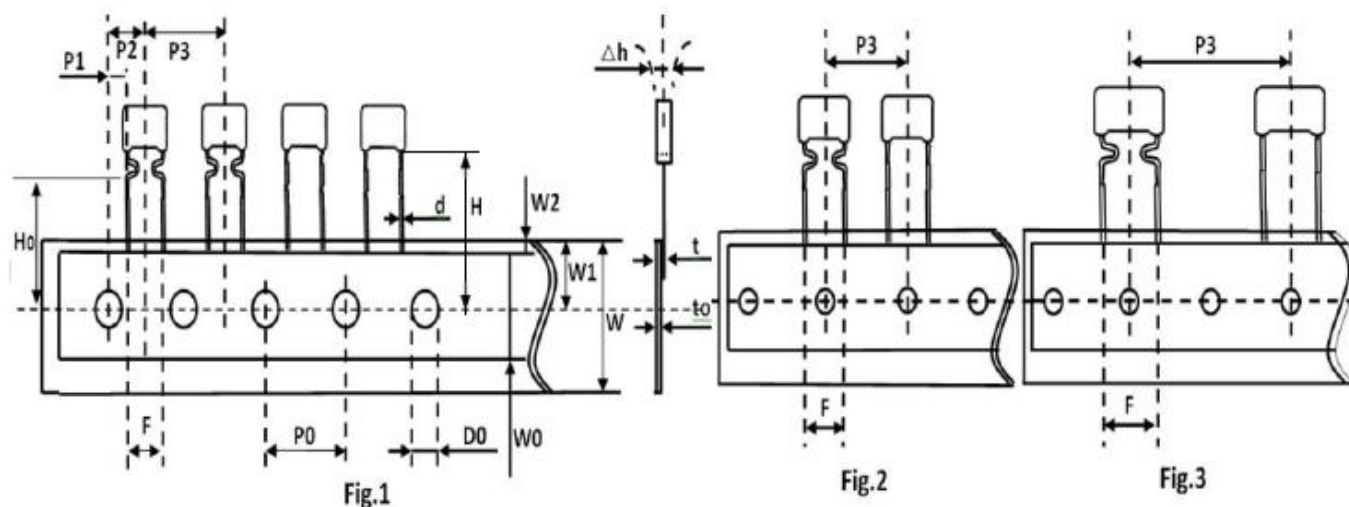
| 容量(uF) | 电压 | 尺寸 (mm) | | | | |
|--------|--------------|---------|-------|-------|-------|--------|
| | | W Max | H Max | T Max | P±1.0 | d±0.05 |
| 0.01 | 50VD / 63VDC | 7.3 | 7.5 | 4.0 | 5.0 | 0.5 |
| | 100VDC | 7.3 | 7.5 | 4.0 | 5.0 | 0.5 |
| 0.012 | 50VD / 63VDC | 7.3 | 7.5 | 4.0 | 5.0 | 0.5 |
| | 100VDC | 7.3 | 7.5 | 4.0 | 5.0 | 0.5 |
| 0.015 | 50VD / 63VDC | 7.3 | 7.5 | 4.0 | 5.0 | 0.5 |
| | 100VDC | 7.3 | 7.5 | 4.0 | 5.0 | 0.5 |
| 0.018 | 50VD / 63VDC | 7.3 | 7.5 | 4.0 | 5.0 | 0.5 |
| | 100VDC | 7.3 | 7.5 | 4.0 | 5.0 | 0.5 |
| 0.022 | 50VD / 63VDC | 7.3 | 7.5 | 4.0 | 5.0 | 0.5 |
| | 100VDC | 7.3 | 7.5 | 4.0 | 5.0 | 0.5 |
| 0.027 | 50VD / 63VDC | 7.3 | 7.5 | 4.0 | 5.0 | 0.5 |
| | 100VDC | 7.3 | 7.5 | 4.0 | 5.0 | 0.5 |
| 0.033 | 50VD / 63VDC | 7.3 | 7.5 | 4.0 | 5.0 | 0.5 |
| | 100VDC | 7.3 | 7.5 | 4.0 | 5.0 | 0.5 |
| 0.039 | 50VD / 63VDC | 7.3 | 7.5 | 4.0 | 5.0 | 0.5 |
| | 100VDC | 7.3 | 7.5 | 4.0 | 5.0 | 0.5 |
| 0.047 | 50VD / 63VDC | 7.3 | 7.5 | 4.0 | 5.0 | 0.5 |
| | 100VDC | 7.3 | 7.5 | 4.0 | 5.0 | 0.5 |
| 0.056 | 50VD / 63VDC | 7.3 | 7.5 | 4.0 | 5.0 | 0.5 |
| | 100VDC | 7.3 | 7.5 | 4.0 | 5.0 | 0.5 |
| 0.068 | 50VD / 63VDC | 7.3 | 7.5 | 4.0 | 5.0 | 0.5 |
| | 100VDC | 7.3 | 7.5 | 4.0 | 5.0 | 0.5 |
| 0.082 | 50VD / 63VDC | 7.3 | 8.0 | 4.5 | 5.0 | 0.5 |
| | 100VDC | 7.3 | 8.0 | 4.5 | 5.0 | 0.5 |
| 0.1 | 50VD / 63VDC | 7.3 | 9.5 | 4.5 | 5.0 | 0.5 |
| | 100VDC | 7.5 | 9.5 | 4.5 | 5.0 | 0.5 |
| 0.12 | 50VD / 63VDC | 7.5 | 7.5 | 4.0 | 7.5 | 0.6 |
| | 100VDC | 10.5 | 7.5 | 4.0 | 7.5 | 0.6 |
| 0.15 | 50VD / 63VDC | 10.5 | 9.0 | 4.0 | 7.5 | 0.6 |
| | 100VDC | 10.3 | 9.0 | 4.0 | 7.5 | 0.6 |
| 0.22 | 50VD / 63VDC | 10.3 | 9.5 | 4.5 | 7.5 | 0.6 |
| | 100VDC | 10.3 | 9.5 | 4.5 | 7.5 | 0.6 |
| 0.27 | 50VD / 63VDC | 10.3 | 10.0 | 5.0 | 7.5 | 0.6 |
| | 100VDC | 10.3 | 10.0 | 5.0 | 7.5 | 0.6 |
| 0.33 | 50VD / 63VDC | 10.3 | 10.0 | 5.0 | 7.5 | 0.6 |
| | 100VDC | 10.3 | 10.5 | 5.5 | 7.5 | 0.6 |

| 容量(uF) | 电压 | 尺寸 (mm) | | | | |
|--------|--------------|---------|-------|-------|-------|--------|
| | | W Max | H Max | T Max | P±1.0 | d±0.05 |
| 0.39 | 50VD / 63VDC | 10.3 | 10.0 | 5.0 | 7.5 | 0.6 |
| | 100VDC | 10.3 | 11.0 | 6.0 | 7.5 | 0.6 |
| 0.47 | 50VD / 63VDC | 10.3 | 10.0 | 5.0 | 7.5 | 0.6 |
| | 100VDC | 10.3 | 11.5 | 6.5 | 7.5 | 0.6 |
| 0.56 | 50VD / 63VDC | 10.3 | 10.0 | 5.5 | 7.5 | 0.6 |
| | 100VDC | 10.3 | 11.5 | 7.0 | 7.5 | 0.6 |
| 0.68 | 50VD / 63VDC | 10.3 | 10.0 | 5.5 | 7.5 | 0.6 |
| | 100VDC | 10.3 | 12.0 | 8.0 | 7.5 | 0.6 |
| 0.82 | 50VD / 63VDC | 10.3 | 10.0 | 6.5 | 7.5 | 0.6 |
| | 100VDC | 10.3 | 13.0 | 9.0 | 7.5 | 0.6 |
| 1.0 | 50VD / 63VDC | 10.5 | 10.5 | 7.0 | 7.5 | 0.6 |
| | 100VDC | 10.5 | 14.0 | 9.5 | 7.5 | 0.6 |

脚型、脚长说明

| 脚型 | 图示 | 脚长 L (mm) |
|-------|--|--|
| 长直脚脚型 |  | ① $[2.5 \leq L < 6.0] + / - 0.5$; ② $[6.0 \leq L \leq 10] + / - 1.0$ |
| 内弯脚型 |  | ① $[2.5 \leq L < 6.0] + / - 0.5$; ② $[6.0 \leq L \leq 10] + / - 1.0$ |

编带尺寸 (mm)



| 代码 | Fig.1 | Fig.2 | Fig.2 | Fig.3 | Fig.3 | 误差 |
|----|-------|-------|-------|-------|-----------|-----------|
| | P=5.0 | P=7.5 | P=10 | P=15 | P=20/22.5 | |
| P3 | 12.7 | 12.7 | 12.7 | 25.4 | 30.0 | ±1.0 |
| P2 | 6.35 | / | / | / | / | ±1.3 |
| P0 | 12.7 | 12.7 | 12.7 | 12.7 | 15.0 | ±0.3 |
| P1 | 3.85 | / | / | / | / | ±0.7 |
| F | 5.0 | 7.5 | 10.0 | 15.0 | 20.0/22.5 | ±1.0 |
| H | 20.0 | 20.0 | 20.0 | 20.0 | 20.0 | ±1.0 |
| H0 | 16.5 | 16.5 | 16.5 | 16.5 | 16.5 | ±0.5 |
| Δh | 0 | 0 | 0 | 0 | 0 | ±2.0 |
| W | 18.0 | 18.0 | 18.0 | 18.0 | 18.0 | +1.0/-0.5 |
| W0 | 12.0 | 12.0 | 12.0 | 12.0 | 12.0 | ±1.0 |
| W1 | 9.0 | 9.0 | 9.0 | 9.0 | 9.0 | ±0.5 |
| W2 | 3.0 | 3.0 | 3.0 | 3.0 | 3.0 | Max |
| D0 | 4.0 | 4.0 | 4.0 | 4.0 | 4.0 | ±0.3 |
| d | 0.5 | 0.6 | 0.6 | 0.8 | 0.8 | ±0.05 |
| t | 1.0 | 1.1 | 1.1 | 1.4 | 1.4 | ±0.2 |
| t0 | 0.38 | 0.38 | 0.38 | 0.47 | 0.47 | ±0.04 |

X-ON Electronics

Largest Supplier of Electrical and Electronic Components

Click to view similar products for [Film Capacitors](#) category:

Click to view products by [Songtian](#) manufacturer:

Other Similar products are found below :

[F339X134748MIP2T0](#) [F450KG153J250ALH0J](#) [750-1018](#) [FKP1-1500160010P15](#) [FKP1R031007D00JYSD](#) [FKP1R031507E00JYSD](#)
[FKP1U024707E00KYSD](#) [82DC4100CK60J](#) [82EC1100DQ50K](#) [PFR5101J100J11L16.5TA18](#) [PME261JB5220KR19T0](#) [A451GK223M040A](#)
[A561ED221M450A](#) [QXJ2E474KTPT](#) [QXL2B333KTPT](#) [R49AN347000A1K](#) [EEC2G505HQA406](#) [B25668A6676A375](#) [B25673A4282E140](#)
[BFC233868148](#) [BFC2370GC222](#) [C3B2AD44400B20K](#) [C4ASWBU3220A3EK](#) [CB027C0473J--](#) [CB177I0184J--](#) [CB182K0184J--](#) [23PW210](#)
[950CQW5H-F](#) [SBDC3470AA10J](#) [SCD105K122A3-22](#) [2N3155](#) [A571EH331M450A](#) [FKP1-2202KV5P15](#) [FKS3-680040010P10](#)
[QXL2E473KTPT](#) [445450-1](#) [B25669A3996J375](#) [46KI322000M1M](#) [46KR415050M1K](#) [4BSNBX4100ZBFJ](#) [MKP383510063JKP2T0](#)
[MKPY2-.02230020P15](#) [MKT 1813-368-015](#) [4055292001](#) [46KN410000N1K](#) [EEC2E106HQA405](#) [EEC2G205HQA402](#) [EEC2G805HQA415](#)
[P409CP224M250AH470](#) [82EC2150DQ50K](#)