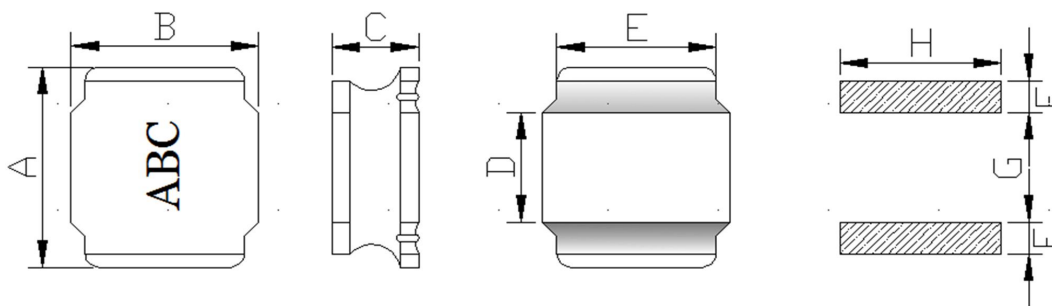


文件编号 File Number	SRD-WI-3634	版本号 Version Number	A	页码 page	1/3
---------------------	-------------	-----------------------	---	------------	-----

1、外形尺寸 Dimension :

单位Unit: mm



A	5.00±0.2
B	5.00±0.2
C	4.0 Max
D	2.2±0.3
E	4.0 Ref
F	1.6 Ref
G	2.0 Ref
H	4.7 Ref

2、产品品名构成 Product Spec. Model

SR 5040T Y D - 2R2 N

a b c d e f

a: 系列名称 Series name

b: 产品尺寸 Product dimensions (A x B x C)

c: 密封方式 Sealing way (L: 冷封 Cold seal Y: 热封 Heat seal)

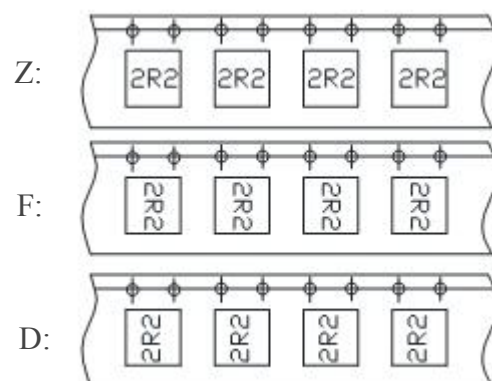
d: 印字方向 Lettering direction ▶

e: 电感值 Inductance Value

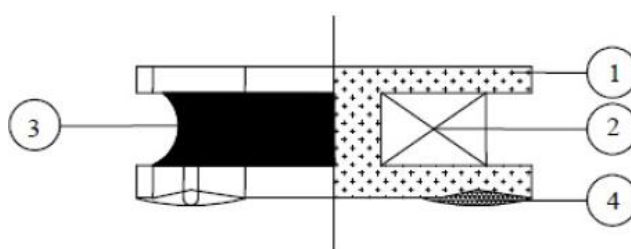
(1R0:1.0uH; 100: 10uH; 101:100uH)

f: 电感公差 Inductance Tolerance (K:10% ; M:20% ; N:30%)

▶ Lettering direction



3、结构 Structure



4、材料清单 MATERIAL LIST

NO.	PARTS	MATERIAL	UL FILE NO.	TEMP. CLASS
1	CORE	Ni-Zn CORE OR EQUIVALENT	NA	NA
2	WIRE	POLYURETHANE ENAMELLED COPPER WIRE OR EQUIVALENT	E258243	180°C
3	ADHESIVE	EPOXY RESIN OR EQUIVALENT	NA	NA
4	SOLDER	Sn99.3-Cu0.7 OR EQUIVALENT	NA	NA

*NA:NOT APPLICABLE.

文件编号 File Number	SRD-WI-3634	版本号 Version Number	A	页码 page	2/3
---------------------	-------------	-----------------------	---	------------	-----

5、电性能参数表 Electrical Characteristics List

规格型号 Part NO.	电感量 Tolerance(μ H)	测试频率 Test Freq. (kHz/v)	直流电阻 DC Max (Ω)	饱和电流 Isat (A)	温升电流 Irms (A)
SNR.5040.TYD1R0NT00	1.0	100/0.25	0.016	7.35	4.90
SNR.5040.TYD1R2NT00	1.2	100/0.25	0.021	6.50	4.15
SNR.5040.TYD1R5NT00	1.5	100/0.25	0.020	6.30	4.30
SNR.5040.TYD2R2NT00	2.2	100/0.25	0.025	4.90	3.80
SNR.5040.TYD2R7MT00	2.7	100/0.25	0.029	4.30	3.60
SNR.5040.TYD3R3MT00	3.3	100/0.25	0.031	3.95	3.40
SNR.5040.TYD3R9MT00	3.9	100/0.25	0.035	3.55	3.20
SNR.5040.TYD4R7MT00	4.7	100/0.25	0.039	3.50	3.00
SNR.5040.TYD5R6MT00	5.6	100/0.25	0.046	3.00	2.80
SNR.5040.TYD6R8MT00	6.8	100/0.25	0.056	2.90	2.50
SNR.5040.TYD8R2MT00	8.2	100/0.25	0.062	2.70	2.30
SNR.5040.TYD100MT00	10	100/0.25	0.083	2.35	2.10
SNR.5040.TYD150MT00	15	100/0.25	0.112	2.00	2.00
SNR.5040.TYD220MT00	22	100/0.25	0.168	1.60	1.50
SNR.5040.TYD330MT00	33	100/0.25	0.244	1.30	1.20
SNR.5040.TYD470MT00	47	100/0.25	0.354	1.10	1.00
SNR.5040.TYD560MT00	56	100/0.25	0.494	1.00	0.80
SNR.5040.TYD680MT00	68	100/0.25	0.520	0.90	0.80
SNR.5040.TYD101MT00	100	100/0.25	0.728	0.75	0.70
SNR.5040.TYD151MT00	150	100/0.25	0.975	0.65	0.60
SNR.5040.TYD181MT00	180	100/0.25	1.610	0.60	0.50
SNR.5040.TYD201MT00	200	100/0.25	1.790	0.55	0.45
SNR.5040.TYD221MT00	220	100/0.25	1.820	0.48	0.40
SNR.5040.TYD331MT00	330	100/0.25	2.730	0.42	0.40
SNR.5040.TYD471MT00	470	100/0.25	3.900	0.37	0.35
SNR.5040.TYD561MT00	560	100/0.25	4.920	0.31	0.31
SNR.5040.TYD102MT00	1000	100/0.25	7.800	0.21	0.20
SNR.5040.TYD152MT00	1500	100/0.25	13.300	0.20	0.16

※公差Tolerance: N: \pm 30%、M: \pm 20%、K: \pm 10%.

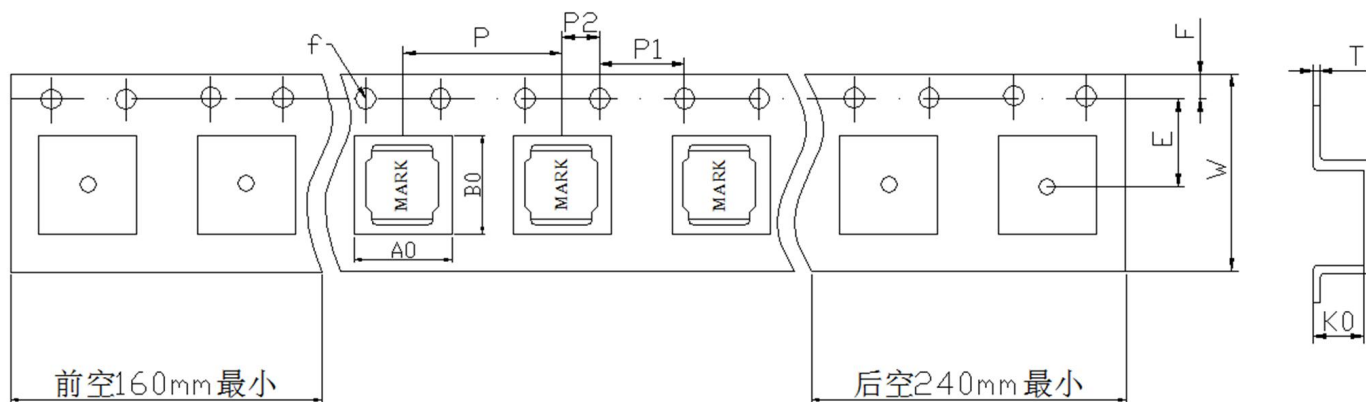
※工作温度Operating temperature rang: -40 $^{\circ}$ C to +125 $^{\circ}$ C (Including Self-heating)

※储存温度Storage temperature rang: -40 $^{\circ}$ C to +125 $^{\circ}$ C

额定电流: 指使电感量比初始值下降30%或电感器表面温度上升 40 $^{\circ}$ C 的电流值 (参考周围环境温度 25 $^{\circ}$ C)。
The rated DC current is that which cause at 30% inductance reduction from the initial value or inductor surface temperature to rise by 40 $^{\circ}$ C, whichever is smaller (Reference ambient temperature 25 $^{\circ}$ C)。

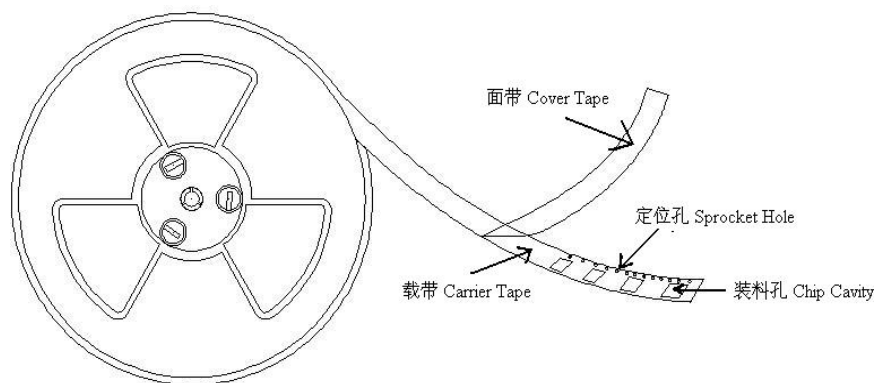
6、产品包装 Packaging

1) 载带包装示意图 Tape packing diagram



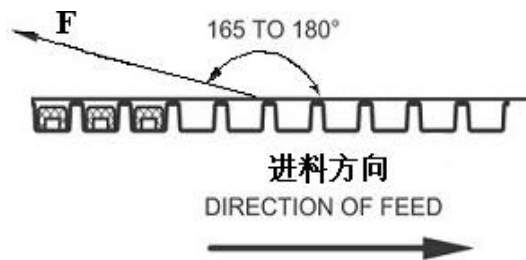
ITEM	W	A0	B0	K0	P	E	F	D0	P0	P2	T
DIM	12.00	5.30	5.30	4.20	8.00	5.50	1.75	1.50	4.00	2.00	0.30
TOLE	±0.3	±0.1	±0.1	±0.1	±0.1	±0.1	±0.1	+0.1	±0.1	±0.1	±0.05

2) 卷盘包装示意图 Tape packing diagram



3) 剥离强度要求 Peeling required

- ① F 力大小: 20~100g;
- ② 面带剥离角度: 165°~180°。



4) 包装数量 Packing quantity

项目	数量 (PCS)	尺寸规格 (mm)
盘	1500	13"
内盒	6000	340mm*340mm*65mm
外箱	12000	360mm*360mm*160mm

X-ON Electronics

Largest Supplier of Electrical and Electronic Components

Click to view similar products for [Fixed Inductors](#) category:

Click to view products by [SOREDE](#) manufacturer:

Other Similar products are found below :

[CR32NP-151KC](#) [CR32NP-180KC](#) [CR32NP-181KC](#) [CR32NP-1R5MC](#) [CR32NP-390KC](#) [CR32NP-3R9MC](#) [CR32NP-680KC](#) [CR32NP-820KC](#) [CR32NP-8R2MC](#) [CR43NP-390KC](#) [CR43NP-560KC](#) [CR43NP-680KC](#) [CR54NP-181KC](#) [CR54NP-470LC](#) [CR54NP-820KC](#) [CR54NP-8R5MC](#) [70F224AI](#) [MGDQ4-00004-P](#) [MHL1ECTTP18NJ](#) [MHQ1005P10NJ](#) [MHQ1005P1N0S](#) [MHQ1005P2N4S](#) [MHQ1005P3N6S](#) [MHQ1005P5N1S](#) [MHQ1005P8N2J](#) [PE-51506NL](#) [PE-53601NL](#) [PE-53602NL](#) [PE-53630NL](#) [PE-53824SNLT](#) [PE-92100NL](#) [PG0434.801NLT](#) [PG0936.113NLT](#) [9220-20](#) [9310-16](#) [PM06-2N7](#) [PM06-39NJ](#) [A01TK](#) [1206CS-471XJ](#) [HC2LP-R47-R](#) [HC2-R47-R](#) [HC3-2R2-R](#) [HCF1305-3R3-R](#) [1206CS-151XG](#) [RCH664NP-140L](#) [RCH664NP-4R7M](#) [RCH8011NP-221L](#) [RCP1317NP-332L](#) [RCP1317NP-391L](#) [RCR1010NP-470M](#)