

文件编号 File Number	SRD-WI-3637	版本号 Version Number	A	页码 page	1/4
---------------------	-------------	-----------------------	---	------------	-----

1、外形尺寸 Dimension :

单位Unit: mm



A	6.00±0.3
B	6.00±0.3
C	4.5Max.
D	2.9Typ.
E	5.7Typ.
F	1.7Typ.
G	2.8Typ.
H	5.7Typ.

2、产品品名构成 Product Spec. Model

SR 6045T Y D - 2R2 N

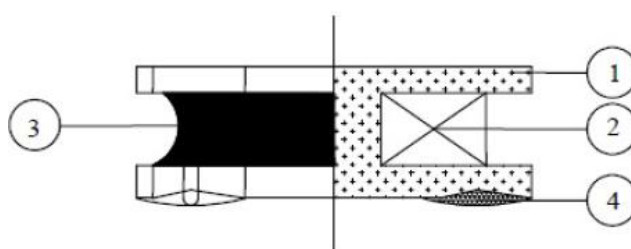
a b c d e f

- a: 系列名称 Series name
- b: 产品尺寸 Product dimensions (A x B x C)
- c: 密封方式 Sealing way (L: 冷封 Cold seal Y: 热封 Heat seal)
- d: 印字方向 Lettering direction ▶
- e: 电感值 Inductance Value
(1R0:1.0uH; 100: 10uH; 101:100uH)
- f: 电感公差 Inductance Tolerance (K:10% ; M:20% ; N:30%)

▶ Lettering direction



3、结构 Structure



4、材料清单 MATERIAL LIST

NO.	PARTS	MATERIAL	UL FILE NO.	TEMP. CLASS
1	CORE	Ni-Zn CORE OR EQUIVALENT	NA	NA
2	WIRE	POLYURETHANE ENAMELLED COPPER WIRE OR EQUIVALENT	E258243	180°C
3	ADHESIVE	EPOXY RESIN OR EQUIVALENT	NA	NA
4	SOLDER	Sn99.3-Cu0.7 OR EQUIVALENT	NA	NA

*NA:NOT APPLICABLE.

文件编号 File Number	SRD-WI-3637	版本号 Version Number	A	页码 page	2/4
---------------------	-------------	-----------------------	---	------------	-----

5、电性能参数表 Electrical Characteristics List

规格型号 Part NO.	电感量 Tolerance(μ H)	测试频率 Test Freq. (kHz/v)	直流电阻 DC Max (Ω)	饱和电流 Isat (A)	温升电流 Irms (A)
SNR.6045.TYDR68NT00	0.68	100/0.25	0.008	9.50	5.70
SNR.6045.TYD1R0NT00	1.0	100/0.25	0.014	9.00	5.14
SNR.6045.TYD1R5NT00	1.5	100/0.25	0.016	7.50	4.95
SNR.6045.TYD2R2NT00	2.2	100/0.25	0.022	6.50	4.60
SNR.6045.TYD3R3NT00	3.3	100/0.25	0.026	5.30	3.70
SNR.6045.TYD3R6NT00	3.6	100/0.25	0.027	5.00	3.70
SNR.6045.TYD4R2NT00	4.2	100/0.25	0.028	4.90	3.50
SNR.6045.TYD4R7MT00	4.7	100/0.25	0.034	4.50	3.30
SNR.6045.TYD5R6MT00	5.6	100/0.25	0.040	3.70	3.15
SNR.6045.TYD6R0MT00	6.0	100/0.25	0.042	3.50	3.00
SNR.6045.TYD6R3MT00	6.3	100/0.25	0.043	3.30	3.00
SNR.6045.TYD6R8MT00	6.8	100/0.25	0.043	3.30	3.00
SNR.6045.TYD7R5MT00	7.5	100/0.25	0.048	3.20	2.90
SNR.6045.TYD8R2MT00	8.2	100/0.25	0.056	3.10	2.60
SNR.6045.TYD100MT00	10	100/0.25	0.067	3.00	2.45
SNR.6045.TYD120MT00	12	100/0.25	0.075	2.80	2.20
SNR.6045.TYD150MT00	15	100/0.25	0.100	2.50	2.05
SNR.6045.TYD180MT00	18	100/0.25	0.122	2.20	1.85
SNR.6045.TYD220MT00	22	100/0.25	0.149	2.00	1.80
SNR.6045.TYD270MT00	27	100/0.25	0.165	1.90	1.65
SNR.6045.TYD330MT00	33	100/0.25	0.195	1.65	1.45
SNR.6045.TYD470MT00	47	100/0.25	0.286	1.40	1.20
SNR.6045.TYD560MT00	56	100/0.25	0.338	1.30	1.10
SNR.6045.TYD680MT00	68	100/0.25	0.377	1.20	1.00
SNR.6045.TYD820MT00	82	100/0.25	0.495	1.05	0.90
SNR.6045.TYD101MT00	100	100/0.25	0.559	1.00	0.80
SNR.6045.TYD151MT00	150	100/0.25	0.988	0.80	0.70
SNR.6045.TYD221MT00	220	100/0.25	1.40	0.70	0.59

※公差Tolerance: N: \pm 30%、M: \pm 20%、K: \pm 10%.

※工作温度Operating temperature rang: -40 $^{\circ}$ C to +125 $^{\circ}$ C (Including Self-heating)

※储存温度Storage temperature rang: -40 $^{\circ}$ C to +125 $^{\circ}$ C

额定电流: 指使电感量比初始值下降30%或电感器表面温度上升 40 $^{\circ}$ C的电流值 (参考周围环境温度 25 $^{\circ}$ C)。

The rated DC current is that which cause at 30% inductance reduction from the initial value or inductor surface temperature to rise by 40 $^{\circ}$ C, whichever is smaller (Reference ambient temperature 25 $^{\circ}$ C)。

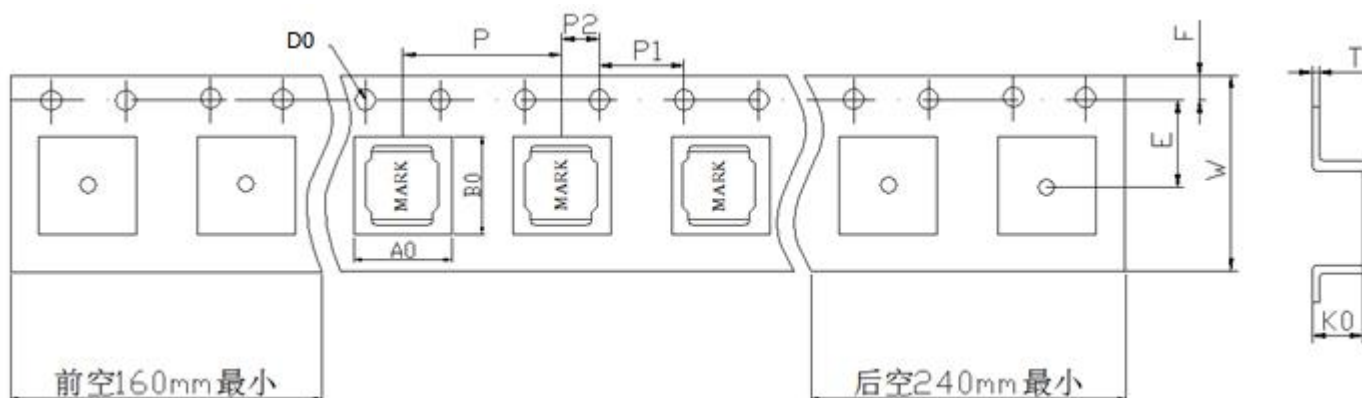
文件编号 File Number	SRD-WI-3637		版本号 Version Number	A	页码 page	3/4
规格型号 Part NO.	电感量 Tolerance(μ H)	测试频率 Test Freq. (kHz/v)	直流电阻 DC Max (Ω)	饱和电流 Isat (A)	温升电流 Irms (A)	
SNR.6045.TYD331MT00	330	100/0.25	1.85	0.57	0.57	
SNR.6045.TYD471MT00	470	100/0.25	2.57	0.50	0.42	
SNR.6045.TYD681MT00	680	100/0.25	4.07	0.42	0.33	
SNR.6045.TYD102MT00	1000	100/0.25	5.90	0.32	0.30	
SNR.6045.TYD152MT00	1500	100/0.25	8.45	0.24	0.21	
SNR.6045.TYD222MT00	2200	100/0.25	12.48	0.20	0.17	
SNR.6045.TYD103MT00	10000	100/0.25	53.7	0.10	0.08	

※公差Tolerance: N:±30%、M:±20%、K:±10%。
 ※工作温度Operating temperature rang: -40 ℃ to +125℃ (Including Self-heating)
 ※储存温度Storage temperature rang: -40 ℃ to +125℃

额定电流: 指使电感量比初始值下降30%或电感器表面温度上升 40℃的电流值 (参考周围环境温度 25℃)。
 The rated DC current is that which cause at 30% inductance reduction from the initial value or inductor surface temperature to rise by 40℃, whichever is smaller (Reference ambient temperature 25℃)。

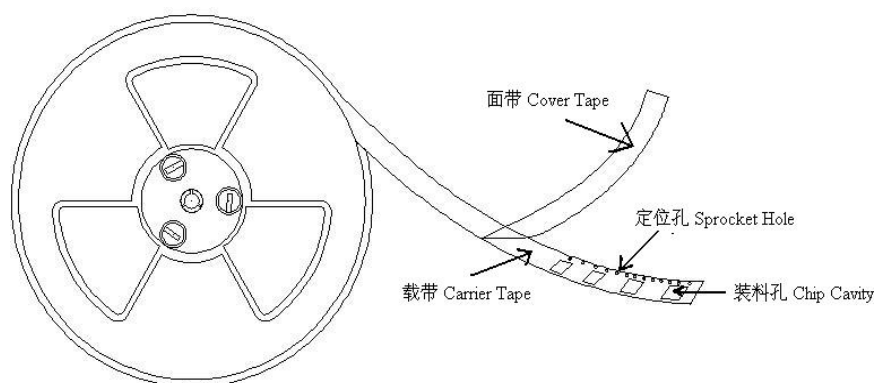
6、产品包装 Packaging

1) 载带包装示意图 Tape packing diagram



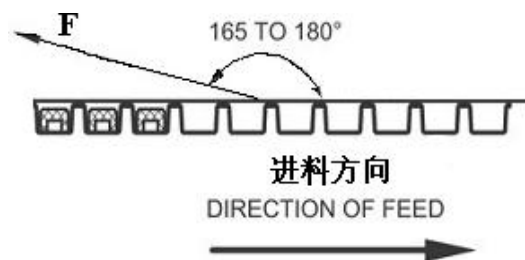
ITEM	W	A0	B0	K0	P	E	F	D0	P0	P2	T
DIM	12.00	6.30	6.30	4.70	8.00	7.50	1.75	1.50	4.00	2.00	0.35
TOLE	±0.3	±0.1	±0.1	±0.1	±0.1	±0.1	±0.1	+0.1	±0.1	±0.1	±0.05

2) 卷盘包装示意图 Tape packing diagram



3) 剥离强度要求 Peeling required

- ① F 力大小: 20~100g;
- ② 面带剥离角度: 165°~180°。



4) 包装数量 Packing quantity

项目	数量 (PCS)	尺寸规格 (mm)
盘	1500	13"
内盒	6000	340mm*340mm*65mm
外箱	12000	360mm*360mm*160mm

X-ON Electronics

Largest Supplier of Electrical and Electronic Components

Click to view similar products for [Fixed Inductors](#) category:

Click to view products by [SOREDE](#) manufacturer:

Other Similar products are found below :

[CR32NP-151KC](#) [CR32NP-180KC](#) [CR32NP-181KC](#) [CR32NP-1R5MC](#) [CR32NP-390KC](#) [CR32NP-3R9MC](#) [CR32NP-680KC](#) [CR32NP-820KC](#) [CR32NP-8R2MC](#) [CR43NP-390KC](#) [CR43NP-560KC](#) [CR43NP-680KC](#) [CR54NP-181KC](#) [CR54NP-470LC](#) [CR54NP-820KC](#) [CR54NP-8R5MC](#) [70F224AI](#) [MGDQ4-00004-P](#) [MHL1ECTTP18NJ](#) [MHQ1005P10NJ](#) [MHQ1005P1N0S](#) [MHQ1005P2N4S](#) [MHQ1005P3N6S](#) [MHQ1005P5N1S](#) [MHQ1005P8N2J](#) [PE-51506NL](#) [PE-53601NL](#) [PE-53602NL](#) [PE-53630NL](#) [PE-53824SNLT](#) [PE-92100NL](#) [PG0434.801NLT](#) [PG0936.113NLT](#) [9220-20](#) [9310-16](#) [PM06-2N7](#) [PM06-39NJ](#) [A01TK](#) [1206CS-471XJ](#) [HC2LP-R47-R](#) [HC2-R47-R](#) [HC3-2R2-R](#) [HCF1305-3R3-R](#) [1206CS-151XG](#) [RCH664NP-140L](#) [RCH664NP-4R7M](#) [RCH8011NP-221L](#) [RCP1317NP-332L](#) [RCP1317NP-391L](#) [RCR1010NP-470M](#)