

DCF安规瓷介电容器(Y1)

DCF Safety Standard Recognized Ceramic Capacitors(Y1)

特性 Feature











- 容量范围 Wide capacitance range from 10pF to 10000pF
- 工作温度 Operating Temperature: -40℃~125℃
- 存储温度 Storage Temperature: -10℃~40℃

应用 Applications

安规瓷介电容器具有高介电系数的陶瓷介质和阻燃的环氧树脂封装，适用于电子设备的电源电路噪声抑制电路中，也可用作天线耦合跨接和旁路电路中。

The safety standard recognized ceramic capacitors have dielectric ceramics with high dielectric coefficient and encapsulation of flame retardant epoxy resin. These capacitors are used in noise suppression circuit of power supply circuit for general electronic equipments and may be used as antenna coupling, crossing and bypass circuit.

使用标准 Applicable Standard

| 通过认证 APPROVAL | 认证组织 ORGANIZATION | 标准 SAFTY STANDARDS | 证书 CERTIFICATE NO. |
|---|----------------------|-----------------------|----------------------------------|
|  | UL CUL | UL60384-14 | E154899 |
|  | CSA | CAN/CSA-E60384-14 | 2405437 |
|  | (VDE+ENEC)VD E | IEC 60384 -14 | 40036393 |
|  | SEMKO | EN60384-14 | 1914801 |
|  | KTC | K60384 - 14 | HU03004-10003D HU03004-10004D |
|  | NEMKO | EN60384-14 | P19223823 |
|  | DEMKO | EN60384-14 | D-03468 |
|  | FIMKO | IEC 60384 -14 | FI 40341 |
|  | SEV | IEC 60384 -14 | 22.0424 |
|  | CQC | IEC 60384 -14 | CQC03001003160 |

产品型号 Part Number

DCF 221 K 26 Y5P G 6 V K 0 □

型号 Type:
DCF: 安规型瓷介电容器

容量 (Capacitance):

470:47pF
221:220pF
472:4700pF
103:10000pF

容量允许偏差

Capacitance Tolerance:
M=20% Z=+80%-20%
K=±10% J=±5%

尺寸代码 Size:

见规格详情
See the specification

温度特性

temperature characteristic:
Y5P, Y5U, Y5V, SL

额定电压 Rated voltage:

Q=X1 400VAC/Y2 250VAC G=X1 400VAC/Y1 250VAC

内部管理代码
Interior managing code

位引线间距 Lead spacing:
5=5.0mm 7=7.5mm 0=10mm
9=9.0mm B=9.3mm A=10mm

引线式样 Lead style:

L、K、P
见引线形状 see the lead style

位引线长度/包装方法/

Lead length/package:

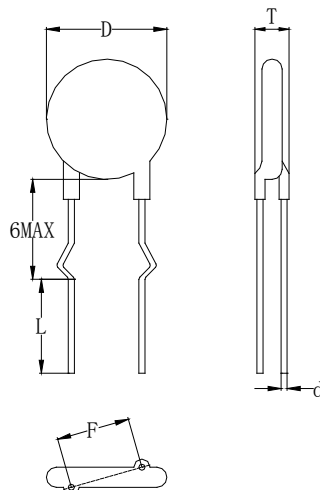
B=20mm min, L=2.3±0.5mm
D=4.5±0.5mm, J=3.2±0.5mm,
W=3.5±0.5mm, K=2.8±0.5mm,
F=12.7mm 编带/扇折, V=15.0mm 编带/扇折

引线直径 Lead diameter:

CP 线:
6=0.55±0.05mm 5=0.48±0.05mm
CU 线:
E=0.58±0.05mm 5=0.48±0.05mm

脚型 Lead style

STYLE:K



规格 Specification

| SHM 产品代码 SHM Part No. | 额定电压 Rated voltage (VDC) | 标称容量 Nominal capacitance (pF) | 电容量允许偏差范围 Tolerance (%) | 温度特性 Temperature Characteristic | 产品尺寸(mm) | | | | |
|--------------------------|--------------------------------|----------------------------------|----------------------------|------------------------------------|------------------|-----------------|---------------|----------------|---------------------|
| | | | | | 直径 Dmax. (mm) | 厚度 Tmax (mm) | 引线间距 F(mm) | 引线直径 d (mm) | 引线长度 L (mm)/编带方式 |
| DCF680K24Y5PG62LBH7 | X1-400 Y1-400 | 68 | ±10% | Y5P | 6.0 | 6.0 | 9.3±0.5 | 0.55±0.05 | 2.6±0.5 |
| DCF331K26Y5PG62K9H3 | X1-400 Y1-400 | 330 | ±10% | Y5P | 6.8 | 4.5 | 9.0±0.5 | 0.55±0.05 | 2.6±0.5 |
| DCF471K30Y5PG6LKA FY | X1-400 Y1-400 | 470 | ±10% | Y5P | 7.8 | 4.5 | 10.0±0.5 | 0.55±0.05 | 2.3±0.5 |
| DCF561K36Y5PG9VP0L0 | X1-400 Y1-400 | 560 | ±10% | Y5P | 9.8 | 6.0 | 10.0±0.5 | 0.58±0.05 | V 编带 |
| DCF102M34Y5UG9VP0L0 | X1-400 Y1-400 | 1000 | ±20% | Y5U | 9.0 | 6.0 | 10.0±0.5 | 0.58±0.05 | V 编带 |
| DCF102M26Y5VG6WL0L0 | X1-400 Y1-400 | 1000 | ±20% | Y5V | 6.8 | 6.0 | 10.0±0.5 | 0.55±0.05 | 3.5±0.5 |
| DCF222M34Y5VGEVL0L0 | X1-400 Y1-400 | 2200 | ±20% | Y5V | 9.0 | 6.0 | 10.0±0.5 | 0.58±0.05 | V 编带 |

电性能指标 Electrical Performance

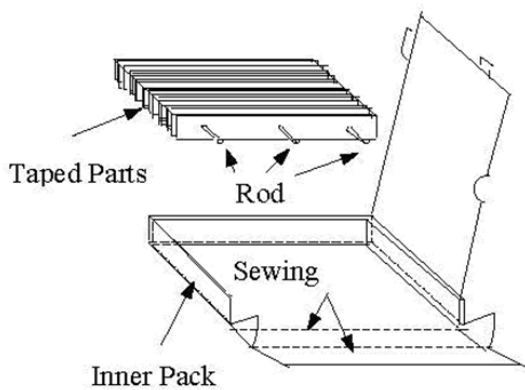
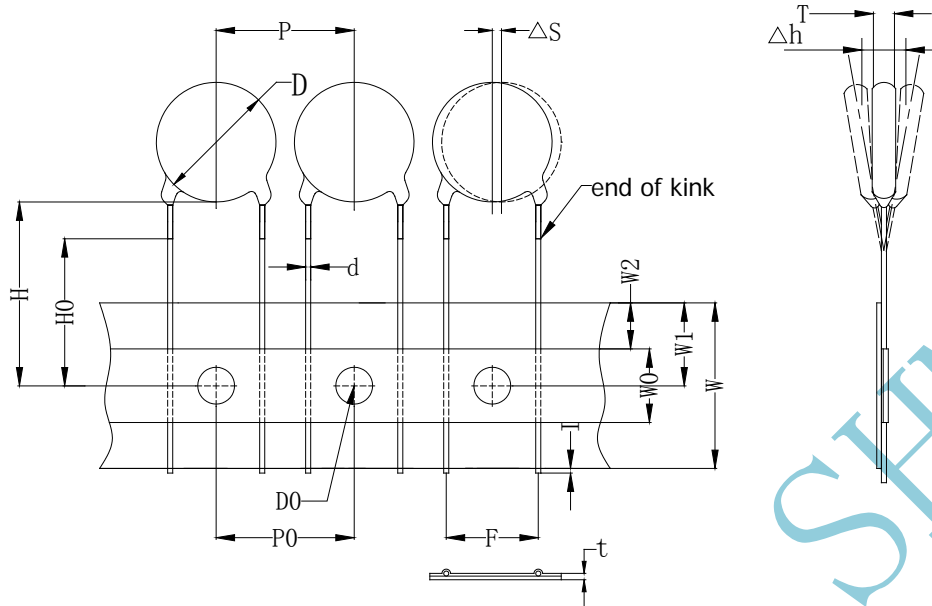
| 序号 No. | 项目名称 Item | 技术要求 Specification | |
|-----------|---------------------|-----------------------|---|
| 1 | 容量和误差 C | @25°C, 1kHz and 1Vrms | 参照规格表 See the specification |
| 2 | 损耗系数 DF | | 2.5% max. (Y5P, Y5U) 5.0% max. (Y5V) |
| 3 | 绝缘电阻 IR | @500 VDC, 60S | 10000MΩ min |
| 4 | 耐电压 Rate Voltage | @4000VAC, 60S | 无击穿或飞弧。 No visible damage |
| | | Y5P | ±10% |
| | | Y5U | +22% to -56% |
| | | Y5V | +22% to -82% |

标志 Marking

例如 e.g

| Y1 电容器 | |
|-------------|--|
| 正面 Front |  |
| 反面 Back |  |
| 丝印说明 | |
| SHM | 商标 Trademark |
| X1 400~ | 作 X1 电容用时的额定电压 400VAC |
| Y1 400~ | 作 Y1 电容用时的额定电压 400VAC |
| B | 温度特性。B: Y5P, E: Y5U, F: Y5V |
| 331 | 标称电容量 |
| K | 容量误差。J=5%, K=10%, M=20% |
| F | 安规电容系列 |
| 背面标志 | 安规认证标志 |

TAPING STYLE V



- 1.*打弯脚型以 H0 为准。
 For kink lead only.
 2.*直脚产品以 H 为准。
 For straight lead only.

| Symbol | Dimension(mm) |
|--------|---------------------------------|
| P0 | 15.0±0.2 |
| P | 15.0±1.0 |
| F | 10.0±0.5 |
| P1 | / |
| P2 | / |
| H0 | 16.0±1.0* ¹ |
| H | 20.0±1.0* ² |
| W | 18.0±0.5 |
| W0 | 8.0min. |
| W1 | 9.0±0.3 |
| W2 | 3.0max. |
| t | 0.7±0.2 |
| D | To comply with individual sheet |
| DO | 4.0±0.2 |
| d | To comply with individual sheet |
| l | 2.0max. |
| T | To comply with individual sheet |
| ΔS | 1.0max. |
| Δh | 1.0max. |

X-ON Electronics

Largest Supplier of Electrical and Electronic Components

Click to view similar products for [Safety Capacitors](#) category:

Click to view products by [South HongMing](#) manufacturer:

Other Similar products are found below :

[B32022B3223K026](#) [B32912A3104K026](#) [46KI3470DQM1K](#) [B32913A3154K](#) [B81123C1102M003](#) [MKPY2-.02230020P15](#)
[46KN333000M1M](#) [46KN422000P0M](#) [DE1E3KX222MJ4BN01F](#) [46KR422000M1K](#) [HUB2200-S](#) [46KF268000M1M](#) [46KI3150NDM2M](#)
[PHE840MD6220MD13R30](#) [PHE840MY6470MD14R06](#) [PHE845VD5470MR06](#) [R463N4100ZAM1K](#) [MKPX2R-1/400/10P27](#)
[YP500101K040B20C2P](#) [YU0AH222M090DAMD0B](#) [LS1808N102K302NX080TM](#) [CY1471KE1IEB46X2A2](#) [CY1222ME5IEE48O2A2](#)
[MPX474K31DTEV158G0](#) [CY1471ME19EE45W2A2](#) [MPX104K31D2KN158HF](#) [MPX224K31D2KN158G0](#) [PX104K2W1502](#)
[YU1AH222M090DASD0H](#) [C47S1472K60C000](#) [MP2224K32C5J6LC](#) [H102M050FQ55250L750A](#) [MP2474K32D6R8LC](#)
[MP2224K32C3J6LC](#) [MP2104K32C3J6LC](#) [PX334K2C1006](#) [YU0AC222M080L20C7B](#) [MP2473K27B2X6LC](#) [MP2224K32D4J8LC](#)
[MP2684K32D6T8LC](#) [ST3Y1Y5U332M500VAC](#) [ST3Y1Y5V472M500VAC](#) [MP2474K32D4X8LC](#) [MP2474K32D4J8LC](#)
[YU0AH332M110L4EB0B](#) [CY1681ME1IEE45S2A2](#) [Y1220J-E1I-B4-AC400V](#) [Y1120K-E1I-B4-AC400V](#) [MP2154K32D2R8LC](#)
[ST1Y1Y5V222M500VAC](#)