

瓷介电容器 Ceramic Capacitors



特性 Feature

- 容量范围 Wide capacitance range from 100pF to 10000pF
- 工作温度 Operating Temperature: -40℃~125℃
- 存储温度 Storage Temperature: -10℃~40℃

应用 Applications

瓷介电容器适用于电子设备的电源电路噪声抑制电路中，也可用于天线耦合跨接和旁路电路中。
These products Can be used in noise suppression of power supply circuit for general electronic equipment, and might be used as antenna coupling, crossing and bypass circuit.

使用标准Applicable Standard

| 通过认证 APPROVAL | 认证组织 ORGANIZATION | 标准. SAFTY STANDARDS | 证书 CERTIFICATE NO. |
|---|----------------------|------------------------|--|
|  | UL CUL | UL60384-14 | E154899 |
|  | CSA | CAN/CSA-E60384-14 | 2405436 2405437 |
|  | (VDE+ENEC)VD E | IEC 60384 -14 | 40036393 40036246 |
|  | SEMKO | EN60384-14 | 1914801 |
|  | KTC | K60384 - 14 | HU03004-16006A HU03004-16007A HU03004-16008A |
|  | NEMKO | EN60384-14 | P19223823 |
|  | DEMKO | EN60384-14 | D-03468-M1 |
|  | FIMKO | IEC 60384 -14 | FI 40341 |
|  | SEV | IEC 60384 -14 | 19.0474 19.0475 |
|  | CQC | IEC 60384 -14 | CQC15001124387 CQC15001124387 CQC15001127382 |

产品型号 Part Number

DCF 331 K 30 Y5P G 6 B L 0 □ □

型号 Type:

DCF: 交流圆片瓷介电容器
DCG: 超高压瓷片电容器
DCH: 高压圆片瓷介电容器

电容量 (Capacitance):

470: 47pF
471: 470pF
472: 2200pF
103: 10000pF

电容量允许偏差

Capacitance Tolerance:

M=20% Z=+80%-20%
K=±10% J=±5%

尺寸代码 Size:

见规格详情
See the specification

温度特性

temperature characteristic:

Y5P, Y5U, Y5V

额定电压 Rated voltage:

N=1KVDC P=2KVDC R=3KVDC
G=X1 400VAC Y1 250VAC Q=X1 400VAC/Y2 250VAC

电极材料:

Electrode Material
Copper or Silver electrode

内部管理代码

Interior managing

位引线间距 Lead spacing:

5=5.0mm 7=7.5mm 0=10mm

引线式样 Lead style:

L、P
见引线形状 see the lead style
Figure1-2 and figure 1-5

位引线长度/包装方法/

Lead length/package:

B=26.0±1.0mm, L=2.3±0.3mm
D=4.5±0.5mm, J=3.2±0.3mm,
W=3.4±0.3mm, K=2.8±0.5mm,
F=12.7mm 编带/扇折, V=15.0mm 编带/扇折

引线直径 Lead diameter:

CP 线:
6=0.55±0.05mm 8=0.78±0.05mm

脚型 Lead style



Figure 1-2



Figure 1-5

规格Specification

| SHM 产品代码 SHM Part No. | 额定电压 Rated voltage (VAC) | 标称容量 Nominal capacitance (pF) | 电容量允许偏差范围 Tolerance (%) | 温度特性 Temperature Characteristic | 产品尺寸(mm) | | | | |
|--------------------------|--------------------------------|-------------------------------------|----------------------------|------------------------------------|---------------------|---------------------|---------------|----------------|-----------|
| | | | | | 直径 Dmax. (mm) | 厚度 Tmax. (mm) | 引线间距 F(mm) | 引线直径 d (mm) | 散件/ 编带 |
| DCF101K22Y5PG53LOA0 | Y1 250~ | 100 | ±10% | Y5P(B) | 5.5 | 6.0 | 10.0 | 0.48±0.05 | 散件 |
| DCF101K26Y5PG63LOA0 | Y1 250~ | 100 | ±10% | Y5P(B) | 6.8 | 6.0 | 10.0 | 0.55±0.05 | 散件 |
| DCF101K26Y5PG6JLOA0 | Y1 250~ | 100 | ±10% | Y5P(B) | 6.8 | 6.0 | 10.0 | 0.55±0.05 | 散件 |
| DCF101K26Y5PG6JPOA0 | Y1 250~ | 100 | ±10% | Y5P(B) | 6.8 | 6.0 | 10.0 | 0.55±0.05 | 散件 |
| DCF101K26Y5PG6UKOA0 | Y1 250~ | 100 | ±10% | Y5P(B) | 6.8 | 6.0 | 10.0 | 0.55±0.05 | 编带 |
| DCF101K26Y5PG6VLOA0 | Y1 250~ | 100 | ±10% | Y5P(B) | 6.8 | 6.0 | 10.0 | 0.55±0.05 | 编带 |
| DCF101K26Y5PG6WLOA0 | Y1 250~ | 100 | ±10% | Y5P(B) | 6.8 | 6.0 | 10.0 | 0.55±0.05 | 散件 |
| DCF101K26Y5PG6WPOLO | Y1 250~ | 100 | ±10% | Y5P(B) | 6.8 | 6.0 | 10.0 | 0.55±0.05 | 散件 |
| DCF101M26Y5UG6WPOA0 | Y1 250~ | 100 | ±20% | Y5U(E) | 6.8 | 6.0 | 10.0 | 0.55±0.05 | 散件 |
| DCF102K36Y5PQ6VL7A0 | Y2 250~ | 1000 | ±10% | Y5P(B) | 9.8 | 5.0 | 7.5 | 0.55±0.05 | 编带 |
| DCF102K36Y5PQ6WL7A0 | Y2 250~ | 1000 | ±10% | Y5P(B) | 9.8 | 5.0 | 7.5 | 0.55±0.05 | 散件 |
| DCF102K43Y5PG6BLOA0 | Y1 250~ | 1000 | ±10% | Y5P(B) | 11.5 | 6.0 | 10.0 | 0.55±0.05 | 散件 |
| DCF102K43Y5PG6VPOA0 | Y1 250~ | 1000 | ±10% | Y5P(B) | 11.5 | 6.0 | 10.0 | 0.55±0.05 | 编带 |
| DCF102M26Y5UG6OLOA0 | Y1 250~ | 1000 | ±20% | Y5U(E) | 6.8 | 6.0 | 10.0 | 0.55±0.05 | 散件 |
| DCF102M26Y5UG65LOA0 | Y1 250~ | 1000 | ±20% | Y5U(E) | 6.8 | 6.0 | 10.0 | 0.55±0.05 | 散件 |
| DCF102M26Y5UG68LOA0 | Y1 250~ | 1000 | ±20% | Y5U(E) | 6.8 | 6.0 | 10.0 | 0.55±0.05 | 散件 |
| DCF102M26Y5UG6ALOA0 | Y1 250~ | 1000 | ±20% | Y5U(E) | 6.8 | 6.0 | 10.0 | 0.55±0.05 | 散件 |
| DCF102M26Y5UG6BLOA0 | Y1 250~ | 1000 | ±20% | Y5U(E) | 6.8 | 6.0 | 10.0 | 0.55±0.05 | 散件 |
| DCF102M26Y5UG6JKOA0 | Y1 250~ | 1000 | ±20% | Y5U(E) | 6.8 | 6.0 | 10.0 | 0.55±0.05 | 散件 |
| DCF102M26Y5UG6JLOA0 | Y1 250~ | 1000 | ±20% | Y5U(E) | 6.8 | 6.0 | 10.0 | 0.55±0.05 | 散件 |
| DCF102M26Y5UG6JPOA0 | Y1 250~ | 1000 | ±20% | Y5U(E) | 6.8 | 6.0 | 10.0 | 0.55±0.05 | 散件 |
| DCF102M26Y5UG6ULOA0 | Y1 250~ | 1000 | ±20% | Y5U(E) | 6.8 | 6.0 | 10.0 | 0.55±0.05 | 编带 |
| DCF102M26Y5UG6VLOA0 | Y1 250~ | 1000 | ±20% | Y5U(E) | 6.8 | 6.0 | 10.0 | 0.55±0.05 | 编带 |
| DCF102M26Y5UQ68L7A0 | Y2 250~ | 1000 | ±20% | Y5U(E) | 6.8 | 5.0 | 7.5 | 0.55±0.05 | 散件 |
| DCF102M26Y5VG6BLOA0 | Y1 250~ | 1000 | ±20% | Y5V(F) | 6.8 | 6.0 | 10.0 | 0.55±0.05 | 散件 |
| DCF102M26Y5VG6UPOA0 | Y1 250~ | 1000 | ±20% | Y5V(F) | 6.8 | 6.0 | 10.0 | 0.55±0.05 | 编带 |
| DCF102M26Y5VG6WLOA0 | Y1 250~ | 1000 | ±20% | Y5V(F) | 6.8 | 6.0 | 10.0 | 0.55±0.05 | 散件 |
| DCF102M26Y5VQ6VL7A0 | Y2 250~ | 1000 | ±20% | Y5V(F) | 6.8 | 5.0 | 7.5 | 0.55±0.05 | 编带 |
| DCF102M30Y5UQ6JK7A0 | Y2 250~ | 1000 | ±20% | Y5U(E) | 7.8 | 5.0 | 7.5 | 0.55±0.05 | 散件 |
| DCF102M30Y5UQ6VP7A0 | Y2 250~ | 1000 | ±20% | Y5U(E) | 7.8 | 5.0 | 7.5 | 0.55±0.05 | 编带 |
| DCF102M30Y5UQ6WP7A0 | Y2 250~ | 1000 | ±20% | Y5U(E) | 7.8 | 5.0 | 7.5 | 0.55±0.05 | 散件 |
| DCF102M34Y5UG6JLOA0 | Y1 250~ | 1000 | ±20% | Y5U(E) | 9.0 | 6.0 | 10.0 | 0.55±0.05 | 散件 |

| | | | | | | | | | |
|---------------------|---------|-------|----------|---------|------|-----|------|-----------|----|
| DCF102M34Y5UG6JP0A0 | Y1 250~ | 1000 | ±20% | Y5U (E) | 9.0 | 6.0 | 10.0 | 0.55±0.05 | 散件 |
| DCF102M34Y5UG6VK0A0 | Y1 250~ | 1000 | ±20% | Y5U (E) | 9.0 | 6.0 | 10.0 | 0.55±0.05 | 编带 |
| DCF102M34Y5UG6VL0A0 | Y1 250~ | 1000 | ±20% | Y5U (E) | 9.0 | 6.0 | 10.0 | 0.55±0.05 | 编带 |
| DCF103M56Y5UQ66L7A0 | Y2 250~ | 10000 | ±20% | Y5U (E) | 14.7 | 5.0 | 7.5 | 0.55±0.05 | 散件 |
| DCF103M56Y5UQ6JK7A0 | Y2 250~ | 10000 | ±20% | Y5U (E) | 14.7 | 5.0 | 7.5 | 0.55±0.05 | 散件 |
| DCF103M56Y5VQ68L7A0 | Y2 250~ | 10000 | ±20% | Y5V (F) | 14.7 | 5.0 | 7.5 | 0.55±0.05 | 散件 |
| DCF103M56Y5VQ6JK0A0 | Y2 250~ | 10000 | ±20% | Y5V (F) | 14.7 | 5.0 | 10.0 | 0.55±0.05 | 散件 |
| DCF103M56Y5VQ6UL7A0 | Y2 250~ | 10000 | ±20% | Y5V (F) | 14.7 | 5.0 | 7.5 | 0.55±0.05 | 编带 |
| DCF103M69Y5VG6BL0AJ | Y1 250~ | 10000 | ±20% | Y5V (F) | 18.0 | 6.0 | 10.0 | 0.55±0.05 | 散件 |
| DCF103M69Y5VG8UL0L0 | Y1 250~ | 10000 | ±20% | Y5V (F) | 18.0 | 6.0 | 10.0 | 0.78±0.05 | 编带 |
| DCF103Z56Y5VQ6JK7AB | Y2 250~ | 10000 | +80%-20% | Y5V (F) | 14.7 | 5.0 | 7.5 | 0.55±0.05 | 散件 |
| DCF152M30Y5UG6BL0A0 | Y1 250~ | 1500 | ±20% | Y5U (E) | 7.8 | 6.0 | 10.0 | 0.55±0.05 | 散件 |
| DCF152M30Y5UG6UK0A0 | Y1 250~ | 1500 | ±20% | Y5U (E) | 7.8 | 6.0 | 10.0 | 0.55±0.05 | 编带 |
| DCF152M30Y5UQ6BL7A0 | Y2 250~ | 1500 | ±20% | Y5U (E) | 7.8 | 5.0 | 7.5 | 0.55±0.05 | 散件 |
| DCF152M36Y5UG6BL0AA | Y1 250~ | 1500 | ±20% | Y5U (E) | 9.8 | 6.0 | 10.0 | 0.55±0.05 | 散件 |
| DCF152M36Y5UG6UL0A3 | Y1 250~ | 1500 | ±20% | Y5U (E) | 9.8 | 6.0 | 10.0 | 0.55±0.05 | 编带 |
| DCF152M36Y5UG6WL0A0 | Y1 250~ | 1500 | ±20% | Y5U (E) | 9.8 | 6.0 | 10.0 | 0.55±0.05 | 散件 |
| DCF221K22Y5PG6VL0A0 | Y1 250~ | 220 | ±10% | Y5P (B) | 5.5 | 6.0 | 10.0 | 0.55±0.05 | 编带 |
| DCF221K24Y5PG5LL0A8 | Y1 250~ | 220 | ±10% | Y5P (B) | 6.0 | 6.0 | 10.0 | 0.48±0.05 | 散件 |
| DCF221K24Y5PG6VL0DM | Y1 250~ | 220 | ±10% | Y5P (B) | 6.0 | 6.0 | 10.0 | 0.55±0.05 | 编带 |
| DCF221K26Y5PG6GL0A0 | Y1 250~ | 220 | ±10% | Y5P (B) | 6.8 | 6.0 | 10.0 | 0.55±0.05 | 散件 |
| DCF221K26Y5PG6VL0A0 | Y1 250~ | 220 | ±10% | Y5P (B) | 6.8 | 6.0 | 10.0 | 0.55±0.05 | 编带 |
| DCF221K26Y5PQ6BL7A6 | Y2 250~ | 220 | ±10% | Y5P (B) | 6.8 | 5.0 | 7.5 | 0.55±0.05 | 散件 |
| DCF221K30Y5PG6JK0AB | Y1 250~ | 220 | ±10% | Y5P (B) | 7.8 | 6.0 | 10.0 | 0.55±0.05 | 散件 |
| DCF221K30Y5PG6VK0BT | Y1 250~ | 220 | ±10% | Y5P (B) | 7.8 | 6.0 | 10.0 | 0.55±0.05 | 编带 |
| DCF222M30Y5UQ6BL7A0 | Y2 250~ | 2200 | ±20% | Y5U (E) | 7.8 | 5.0 | 7.5 | 0.55±0.05 | 散件 |
| DCF222M30Y5UQ6VL7A0 | Y2 250~ | 2200 | ±20% | Y5U (E) | 7.8 | 5.0 | 7.5 | 0.55±0.05 | 编带 |
| DCF222M34Y5UG60L0L0 | Y1 250~ | 2200 | ±20% | Y5U (E) | 9.0 | 6.0 | 10.0 | 0.55±0.05 | 散件 |
| DCF222M34Y5UG6BL0A0 | Y1 250~ | 2200 | ±20% | Y5U (E) | 9.0 | 6.0 | 10.0 | 0.55±0.05 | 散件 |
| DCF222M34Y5UG6DL0A0 | Y1 250~ | 2200 | ±20% | Y5U (E) | 9.0 | 6.0 | 10.0 | 0.55±0.05 | 散件 |
| DCF222M34Y5UG6UK0A0 | Y1 250~ | 2200 | ±20% | Y5U (E) | 9.0 | 6.0 | 10.0 | 0.55±0.05 | 编带 |
| DCF222M34Y5UG6UL0A0 | Y1 250~ | 2200 | ±20% | Y5U (E) | 9.0 | 6.0 | 10.0 | 0.55±0.05 | 编带 |
| DCF222M34Y5UG6UP0A0 | Y1 250~ | 2200 | ±20% | Y5U (E) | 9.0 | 6.0 | 10.0 | 0.55±0.05 | 编带 |
| DCF222M34Y5UG6VL0A0 | Y1 250~ | 2200 | ±20% | Y5U (E) | 9.0 | 6.0 | 10.0 | 0.55±0.05 | 编带 |
| DCF222M34Y5UG6WL0A0 | Y1 250~ | 2200 | ±20% | Y5U (E) | 9.0 | 6.0 | 10.0 | 0.55±0.05 | 散件 |
| DCF222M34Y5UG6WP0A0 | Y1 250~ | 2200 | ±20% | Y5U (E) | 9.0 | 6.0 | 10.0 | 0.55±0.05 | 散件 |
| DCF222M34Y5UGE4L0A0 | Y1 250~ | 2200 | ±20% | Y5U (E) | 9.0 | 6.0 | 10.0 | 0.58±0.05 | 散件 |

| | | | | | | | | | |
|---------------------|---------|------|------|---------|------|-----|------|-----------|----|
| DCF222M34Y5UGEVL0A0 | Y1 250~ | 2200 | ±20% | Y5U (E) | 9.0 | 6.0 | 10.0 | 0.58±0.05 | 编带 |
| DCF222M34Y5UGEWL0A0 | Y1 250~ | 2200 | ±20% | Y5U (E) | 9.0 | 6.0 | 10.0 | 0.58±0.05 | 散件 |
| DCF222M34Y5UQ66L7A0 | Y2 250~ | 2200 | ±20% | Y5U (E) | 9.0 | 5.0 | 7.5 | 0.55±0.05 | 散件 |
| DCF222M34Y5UQ6BL7A0 | Y2 250~ | 2200 | ±20% | Y5U (E) | 9.0 | 5.0 | 7.5 | 0.55±0.05 | 散件 |
| DCF222M34Y5UQ6JK7A0 | Y2 250~ | 2200 | ±20% | Y5U (E) | 9.0 | 5.0 | 7.5 | 0.55±0.05 | 散件 |
| DCF222M34Y5UQ6UP7A0 | Y2 250~ | 2200 | ±20% | Y5U (E) | 9.0 | 5.0 | 7.5 | 0.55±0.05 | 编带 |
| DCF222M34Y5UQ6VJ7A0 | Y2 250~ | 2200 | ±20% | Y5U (E) | 9.0 | 5.0 | 7.5 | 0.55±0.05 | 编带 |
| DCF222M34Y5UQEUL0A0 | Y2 250~ | 2200 | ±20% | Y5U (E) | 9.0 | 5.0 | 10.0 | 0.58±0.05 | 编带 |
| DCF222M34Y5UQEVK7A0 | Y2 250~ | 2200 | ±20% | Y5U (E) | 9.0 | 5.0 | 7.5 | 0.58±0.05 | 编带 |
| DCF222M34Y5UQEWK7A0 | Y2 250~ | 2200 | ±20% | Y5U (E) | 9.0 | 5.0 | 7.5 | 0.58±0.05 | 散件 |
| DCF222M34Y5UQEWL7A0 | Y2 250~ | 2200 | ±20% | Y5U (E) | 9.0 | 5.0 | 7.5 | 0.58±0.05 | 散件 |
| DCF222M34Y5VG60LOA2 | Y1 250~ | 2200 | ±20% | Y5V (F) | 9.0 | 6.0 | 10.0 | 0.55±0.05 | 散件 |
| DCF222M34Y5VG6JK0A0 | Y1 250~ | 2200 | ±20% | Y5V (F) | 9.0 | 6.0 | 10.0 | 0.55±0.05 | 散件 |
| DCF222M34Y5VG6UL0B8 | Y1 250~ | 2200 | ±20% | Y5V (F) | 9.0 | 6.0 | 10.0 | 0.55±0.05 | 编带 |
| DCF222M34Y5VG6VLOBU | Y1 250~ | 2200 | ±20% | Y5V (F) | 9.0 | 6.0 | 10.0 | 0.55±0.05 | 编带 |
| DCF222M34Y5VG6WLOA2 | Y1 250~ | 2200 | ±20% | Y5V (F) | 9.0 | 6.0 | 10.0 | 0.55±0.05 | 散件 |
| DCF222M34Y5VGEUL0A0 | Y1 250~ | 2200 | ±20% | Y5V (F) | 9.0 | 6.0 | 10.0 | 0.58±0.05 | 编带 |
| DCF222M34Y5VGEUL0L0 | Y1 250~ | 2200 | ±20% | Y5V (F) | 9.0 | 6.0 | 10.0 | 0.58±0.05 | 编带 |
| DCF222M34Y5VQ6JL7A0 | Y2 250~ | 2200 | ±20% | Y5V (F) | 9.0 | 5.0 | 7.5 | 0.55±0.05 | 散件 |
| DCF222M36Y5UG6BL0A0 | Y1 250~ | 2200 | ±20% | Y5U (E) | 9.8 | 6.0 | 10.0 | 0.55±0.05 | 散件 |
| DCF222M36Y5UG6UP0CW | Y1 250~ | 2200 | ±20% | Y5U (E) | 9.8 | 6.0 | 10.0 | 0.55±0.05 | 编带 |
| DCF222M36Y5UG7DK0A0 | Y1 250~ | 2200 | ±20% | Y5U (E) | 9.8 | 6.0 | 10.0 | 0.65±0.05 | 散件 |
| DCF222M36Y5UG7JK0AB | Y1 250~ | 2200 | ±20% | Y5U (E) | 9.8 | 6.0 | 10.0 | 0.65±0.05 | 散件 |
| DCF222M36Y5UG7JL0AB | Y1 250~ | 2200 | ±20% | Y5U (E) | 9.8 | 6.0 | 10.0 | 0.65±0.05 | 散件 |
| DCF222M36Y5UQ6BL7A0 | Y2 250~ | 2200 | ±20% | Y5U (E) | 9.8 | 5.0 | 7.5 | 0.55±0.05 | 散件 |
| DCF222M36Y5UQ6UL7A0 | Y2 250~ | 2200 | ±20% | Y5U (E) | 9.8 | 5.0 | 7.5 | 0.55±0.05 | 编带 |
| DCF222M36Y5UQ6VK7GK | Y2 250~ | 2200 | ±20% | Y5U (E) | 9.8 | 5.0 | 7.5 | 0.55±0.05 | 编带 |
| DCF222M36Y5UQ6WL7A0 | Y2 250~ | 2200 | ±20% | Y5U (E) | 9.8 | 5.0 | 7.5 | 0.55±0.05 | 散件 |
| DCF222M39Y5UG6DWOA2 | Y1 250~ | 2200 | ±20% | Y5U (E) | 10.5 | 6.0 | 10.0 | 0.55±0.05 | 散件 |
| DCF222M39Y5UG6JK0A0 | Y1 250~ | 2200 | ±20% | Y5U (E) | 10.5 | 6.0 | 10.0 | 0.55±0.05 | 散件 |
| DCF222M39Y5UG6JL0A0 | Y1 250~ | 2200 | ±20% | Y5U (E) | 10.5 | 6.0 | 10.0 | 0.55±0.05 | 散件 |
| DCF222M39Y5UG6UL0A0 | Y1 250~ | 2200 | ±20% | Y5U (E) | 10.5 | 6.0 | 10.0 | 0.55±0.05 | 编带 |
| DCF222M39Y5UG6WLOA0 | Y1 250~ | 2200 | ±20% | Y5U (E) | 10.5 | 6.0 | 10.0 | 0.55±0.05 | 散件 |
| DCF222M39Y5UG6WP0A0 | Y1 250~ | 2200 | ±20% | Y5U (E) | 10.5 | 6.0 | 10.0 | 0.55±0.05 | 散件 |
| DCF222M39Y5UG9VPAGB | Y1 250~ | 2200 | ±20% | Y5U (E) | 10.5 | 6.0 | 10.0 | 0.58±0.05 | 编带 |
| DCF222M39Y5UQ6WP7A0 | Y2 250~ | 2200 | ±20% | Y5U (E) | 10.5 | 5.0 | 7.5 | 0.55±0.05 | 散件 |
| DCF222M46Y5UG6WP0AA | Y1 250~ | 2200 | ±20% | Y5U (E) | 12.3 | 6.0 | 10.0 | 0.55±0.05 | 散件 |

| | | | | | | | | | |
|----------------------|---------|------|------|--------|------|-----|------|-----------|----|
| DCF331K26Y5PG6JK0A0 | Y1 250~ | 330 | ±10% | Y5P(B) | 6.8 | 6.0 | 10.0 | 0.55±0.05 | 散件 |
| DCF331K26Y5PG6JPOA0 | Y1 250~ | 330 | ±10% | Y5P(B) | 6.8 | 6.0 | 10.0 | 0.55±0.05 | 散件 |
| DCF331K26Y5PG6VLAFK | Y1 250~ | 330 | ±10% | Y5P(B) | 6.8 | 6.0 | 10.0 | 0.55±0.05 | 编带 |
| DCF331K30Y5PG63L0A0 | Y1 250~ | 330 | ±10% | Y5P(B) | 7.8 | 6.0 | 10.0 | 0.55±0.05 | 散件 |
| DCF331K30Y5PG6VK0BT | Y1 250~ | 330 | ±10% | Y5P(B) | 7.8 | 6.0 | 10.0 | 0.55±0.05 | 编带 |
| DCF331K30Y5PG6VPAFVW | Y1 250~ | 330 | ±10% | Y5P(B) | 7.8 | 6.0 | 10.0 | 0.55±0.05 | 编带 |
| DCF331M26Y5UG6WLOA0 | Y1 250~ | 330 | ±20% | Y5U(E) | 6.8 | 6.0 | 10.0 | 0.55±0.05 | 散件 |
| DCF331M30Y5UG63P1A2 | Y1 250~ | 330 | ±20% | Y5U(E) | 7.8 | 6.0 | 10.5 | 0.55±0.05 | 散件 |
| DCF332M36Y5UQ6BL7A0 | Y2 250~ | 3300 | ±20% | Y5U(E) | 9.8 | 5.0 | 7.5 | 0.55±0.05 | 散件 |
| DCF332M36Y5UQ6JK7A0 | Y2 250~ | 3300 | ±20% | Y5U(E) | 9.8 | 5.0 | 7.5 | 0.55±0.05 | 散件 |
| DCF332M36Y5VQ6UP7A0 | Y2 250~ | 3300 | ±20% | Y5V(F) | 9.8 | 5.0 | 7.5 | 0.55±0.05 | 编带 |
| DCF332M36Y5VQ6VLOA0 | Y2 250~ | 3300 | ±20% | Y5V(F) | 9.8 | 5.0 | 10.0 | 0.55±0.05 | 编带 |
| DCF332M36Y5VQ6VL7A0 | Y2 250~ | 3300 | ±20% | Y5V(F) | 9.8 | 5.0 | 7.5 | 0.55±0.05 | 编带 |
| DCF332M36Y5VQ6WL7A2 | Y2 250~ | 3300 | ±20% | Y5V(F) | 9.8 | 5.0 | 7.5 | 0.55±0.05 | 散件 |
| DCF332M39Y5UG6BLOA0 | Y1 250~ | 3300 | ±20% | Y5U(E) | 10.5 | 6.0 | 10.0 | 0.55±0.05 | 散件 |
| DCF332M39Y5UG6JK0A0 | Y1 250~ | 3300 | ±20% | Y5U(E) | 10.5 | 6.0 | 10.0 | 0.55±0.05 | 散件 |
| DCF332M39Y5UG6WK0A0 | Y1 250~ | 3300 | ±20% | Y5U(E) | 10.5 | 6.0 | 10.0 | 0.55±0.05 | 散件 |
| DCF332M39Y5UG6WLOA0 | Y1 250~ | 3300 | ±20% | Y5U(E) | 10.5 | 6.0 | 10.0 | 0.55±0.05 | 散件 |
| DCF332M39Y5UG7JK0AB | Y1 250~ | 3300 | ±20% | Y5U(E) | 10.5 | 6.0 | 10.0 | 0.65±0.05 | 散件 |
| DCF332M46Y5UQ60L7AA | Y2 250~ | 3300 | ±20% | Y5U(E) | 12.3 | 5.0 | 7.5 | 0.55±0.05 | 散件 |
| DCF332M46Y5UQ6WP7A0 | Y2 250~ | 3300 | ±20% | Y5U(E) | 12.3 | 5.0 | 7.5 | 0.55±0.05 | 散件 |
| DCF470K26Y5PG6ALOA0 | Y1 250~ | 47 | ±10% | Y5P(B) | 6.8 | 6.0 | 10.0 | 0.55±0.05 | 散件 |
| DCF470K30SL G6VK0BT | Y1 250~ | 47 | ±10% | SL | 7.8 | 6.0 | 10.0 | 0.55±0.05 | 编带 |
| DCF471K26Y5PG6BLOA0 | Y1 250~ | 470 | ±10% | Y5P(B) | 6.8 | 6.0 | 10.0 | 0.55±0.05 | 散件 |
| DCF471K26Y5PG6VLOA0 | Y1 250~ | 470 | ±10% | Y5P(B) | 6.8 | 6.0 | 10.0 | 0.55±0.05 | 编带 |
| DCF471K26Y5PG6WLOA0 | Y1 250~ | 470 | ±10% | Y5P(B) | 6.8 | 6.0 | 10.0 | 0.55±0.05 | 散件 |
| DCF471K26Y5PQ6VL7A0 | Y2 250~ | 470 | ±10% | Y5P(B) | 6.8 | 5.0 | 7.5 | 0.55±0.05 | 编带 |
| DCF471K30Y5PQ6BL7A0 | Y2 250~ | 470 | ±10% | Y5P(B) | 7.8 | 5.0 | 7.5 | 0.55±0.05 | 散件 |
| DCF471K30Y5PQ6VK7A0 | Y2 250~ | 470 | ±10% | Y5P(B) | 7.8 | 5.0 | 7.5 | 0.55±0.05 | 编带 |
| DCF471K30Y5PQEVL7A6 | Y2 250~ | 470 | ±10% | Y5P(B) | 7.8 | 5.0 | 7.5 | 0.58±0.05 | 编带 |
| DCF471K34Y5PG62P0A0 | Y1 250~ | 470 | ±10% | Y5P(B) | 9.0 | 6.0 | 10.0 | 0.55±0.05 | 散件 |
| DCF471K34Y5PG6JK0A0 | Y1 250~ | 470 | ±10% | Y5P(B) | 9.0 | 6.0 | 10.0 | 0.55±0.05 | 散件 |
| DCF471K34Y5PG6ULOA0 | Y1 250~ | 470 | ±10% | Y5P(B) | 9.0 | 6.0 | 10.0 | 0.55±0.05 | 编带 |
| DCF471K34Y5PG6UP0A0 | Y1 250~ | 470 | ±10% | Y5P(B) | 9.0 | 6.0 | 10.0 | 0.55±0.05 | 编带 |
| DCF471K34Y5PG6VK0A0 | Y1 250~ | 470 | ±10% | Y5P(B) | 9.0 | 6.0 | 10.0 | 0.55±0.05 | 编带 |
| DCF471K34Y5PG6WLOA0 | Y1 250~ | 470 | ±10% | Y5P(B) | 9.0 | 6.0 | 10.0 | 0.55±0.05 | 散件 |
| DCF471K34Y5PGEVLOLO | Y1 250~ | 470 | ±10% | Y5P(B) | 9.0 | 6.0 | 10.0 | 0.58±0.05 | 编带 |

| | | | | | | | | | |
|---------------------|---------|------|------|---------|------|-----|------|-----------|----|
| DCF471M26Y5UG6BLOA0 | Y1 250~ | 470 | ±20% | Y5U (E) | 6.8 | 6.0 | 10.0 | 0.55±0.05 | 散件 |
| DCF471M26Y5UG6JKOA0 | Y1 250~ | 470 | ±20% | Y5U (E) | 6.8 | 6.0 | 10.0 | 0.55±0.05 | 散件 |
| DCF471M26Y5UG6VLAGA | Y1 250~ | 470 | ±20% | Y5U (E) | 6.8 | 6.0 | 10.0 | 0.55±0.05 | 编带 |
| DCF471M26Y5UG6WLOA0 | Y1 250~ | 470 | ±20% | Y5U (E) | 6.8 | 6.0 | 10.0 | 0.55±0.05 | 散件 |
| DCF471M34Y5UG6WPOA0 | Y1 250~ | 470 | ±20% | Y5U (E) | 9.0 | 6.0 | 10.0 | 0.55±0.05 | 散件 |
| DCF472M39Y5UQ6BL7A0 | Y2 250~ | 4700 | ±20% | Y5U (E) | 10.5 | 5.0 | 7.5 | 0.55±0.05 | 散件 |
| DCF472M39Y5UQ6JK7A0 | Y2 250~ | 4700 | ±20% | Y5U (E) | 10.5 | 5.0 | 7.5 | 0.55±0.05 | 散件 |
| DCF472M39Y5UQ6UL7A0 | Y2 250~ | 4700 | ±20% | Y5U (E) | 10.5 | 5.0 | 7.5 | 0.55±0.05 | 编带 |
| DCF472M39Y5UQ6VL7BU | Y2 250~ | 4700 | ±20% | Y5U (E) | 10.5 | 5.0 | 7.5 | 0.55±0.05 | 编带 |
| DCF472M39Y5UQ6WK7A0 | Y2 250~ | 4700 | ±20% | Y5U (E) | 10.5 | 5.0 | 7.5 | 0.55±0.05 | 散件 |
| DCF472M39Y5UQ6WL7A0 | Y2 250~ | 4700 | ±20% | Y5U (E) | 10.5 | 5.0 | 7.5 | 0.55±0.05 | 散件 |
| DCF472M39Y5UQ6WP7A0 | Y2 250~ | 4700 | ±20% | Y5U (E) | 10.5 | 5.0 | 7.5 | 0.55±0.05 | 散件 |
| DCF472M39Y5VQ6BLOA0 | Y2 250~ | 4700 | ±20% | Y5V (F) | 10.5 | 5.0 | 10.0 | 0.55±0.05 | 散件 |
| DCF472M39Y5VQ6JK7A0 | Y2 250~ | 4700 | ±20% | Y5V (F) | 10.5 | 5.0 | 7.5 | 0.55±0.05 | 散件 |
| DCF472M39Y5VQ6JL7A0 | Y2 250~ | 4700 | ±20% | Y5V (F) | 10.5 | 5.0 | 7.5 | 0.55±0.05 | 散件 |
| DCF472M46Y5UG6BLOA0 | Y1 250~ | 4700 | ±20% | Y5U (E) | 12.3 | 6.0 | 10.0 | 0.55±0.05 | 散件 |
| DCF472M46Y5UG6JLOA0 | Y1 250~ | 4700 | ±20% | Y5U (E) | 12.3 | 6.0 | 10.0 | 0.55±0.05 | 散件 |
| DCF472M46Y5VG6BLOLO | Y1 250~ | 4700 | ±20% | Y5V (F) | 12.3 | 6.0 | 10.0 | 0.55±0.05 | 散件 |
| DCF472M46Y5VG6ULOBU | Y1 250~ | 4700 | ±20% | Y5V (F) | 12.3 | 6.0 | 10.0 | 0.55±0.05 | 编带 |
| DCF472M46Y5VG6VLOLO | Y1 250~ | 4700 | ±20% | Y5V (F) | 12.3 | 6.0 | 10.0 | 0.55±0.05 | 编带 |
| DCF472M46Y5VG6WLOA0 | Y1 250~ | 4700 | ±20% | Y5V (F) | 12.3 | 6.0 | 10.0 | 0.55±0.05 | 散件 |
| DCF472M46Y5VGCWLOLO | Y1 250~ | 4700 | ±20% | Y5V (F) | 12.3 | 6.0 | 10.0 | 0.65±0.05 | 散件 |
| DCF472M53Y5UQ69L7A0 | Y2 250~ | 4700 | ±20% | Y5U (E) | 14.0 | 5.0 | 7.5 | 0.55±0.05 | 散件 |
| DCF472M56Y5UG6WLOA0 | Y1 250~ | 4700 | ±20% | Y5U (E) | 14.7 | 6.0 | 10.0 | 0.55±0.05 | 散件 |
| DCF472M56Y5UG6WPOA0 | Y1 250~ | 4700 | ±20% | Y5U (E) | 14.7 | 6.0 | 10.0 | 0.55±0.05 | 散件 |
| DCF680K24Y5PG5LL9CV | Y1 250~ | 68 | ±10% | Y5P (B) | 6.0 | 6.0 | 9.0 | 0.48±0.05 | 散件 |
| DCF681K30Y5UG6JP0A0 | Y1 250~ | 680 | ±10% | Y5U (E) | 7.8 | 6.0 | 10.0 | 0.55±0.05 | 散件 |
| DCF681K30Y5UG9VPAGB | Y1 250~ | 680 | ±10% | Y5U (E) | 7.8 | 6.0 | 10.0 | 0.58±0.05 | 编带 |
| DCF681K36Y5PG6BLOA0 | Y1 250~ | 680 | ±10% | Y5P (B) | 9.8 | 6.0 | 10.0 | 0.55±0.05 | 散件 |
| DCF681K36Y5PG6JKOA0 | Y1 250~ | 680 | ±10% | Y5P (B) | 9.8 | 6.0 | 10.0 | 0.55±0.05 | 散件 |
| DCF681K36Y5PG6WLOA0 | Y1 250~ | 680 | ±10% | Y5P (B) | 9.8 | 6.0 | 10.0 | 0.55±0.05 | 散件 |
| DCF681K36Y5PGEULOAO | Y1 250~ | 680 | ±10% | Y5P (B) | 9.8 | 6.0 | 10.0 | 0.58±0.05 | 编带 |
| DCF681M30Y5UG63LOA0 | Y1 250~ | 680 | ±20% | Y5U (E) | 7.8 | 6.0 | 10.0 | 0.55±0.05 | 散件 |
| DCF681M30Y5UG6JKOA0 | Y1 250~ | 680 | ±20% | Y5U (E) | 7.8 | 6.0 | 10.0 | 0.55±0.05 | 散件 |
| DCF681M30Y5UG6UKOA0 | Y1 250~ | 680 | ±20% | Y5U (E) | 7.8 | 6.0 | 10.0 | 0.55±0.05 | 编带 |

电性能指标 Electrical Performance

| 序号 No. | 项目名称 Item | | 技术要求 Specification | |
|-----------|---------------------------------------|-------|-------------------------|--------------------------------|
| 1 | 容量和误差 C | | @25°C, 1 kHz and 1 Vrms | 参照规格表 See the specification |
| 2 | 损耗系数 DF | | @25°C, 1 kHz and 1 Vrms | 2.5% max. |
| 3 | 绝缘电阻 IR | | @500 VDC, 60S | 10000MΩ _{min} |
| 4 | 耐电压 Rate Voltage | X1/Y2 | 2600Vrms | 无击穿或飞弧。 No visible damage |
| | | X1/Y1 | 2500Vrms | |
| 5 | 温度特性 temperature characteristic | Y5P | | ±10% |
| | | Y5U | | +22% to -56% |
| | | Y5V | | +22% to -82% |

标志 Marking

例如 e.g

| Y1 电容器 | |
|---|--|
| 正面 | 反面 |
|  |  |

| Y2 电容器 | |
|---|--|
| 正面 | 反面 |
|  |  |

TAPING STYLE V



| Symbol | Dimension(mm) |
|-----------|---------------------------------|
| P0 | 15.0±0.2 |
| P | 15.0±1.0 |
| F | 10.0±0.5 |
| P1 | |
| P2 | |
| H0 | 16.0±0.5*1 |
| H | 20.0±0.5*2 |
| W | 18.0±0.5 |
| W0 | 8.0min. |
| W1 | 9.0±0.3 |
| W2 | 3.0max. |
| t | 0.7±0.2 |
| D | To comply with individual sheet |
| D0 | 4±0.2 |
| d | To comply with individual sheet |
| l | 2.0max. |
| T | To comply with individual sheet |
| ΔS | 1.0 max. |
| Δh | 1.0 max. |

1. *1 打弯脚型以H0为准。

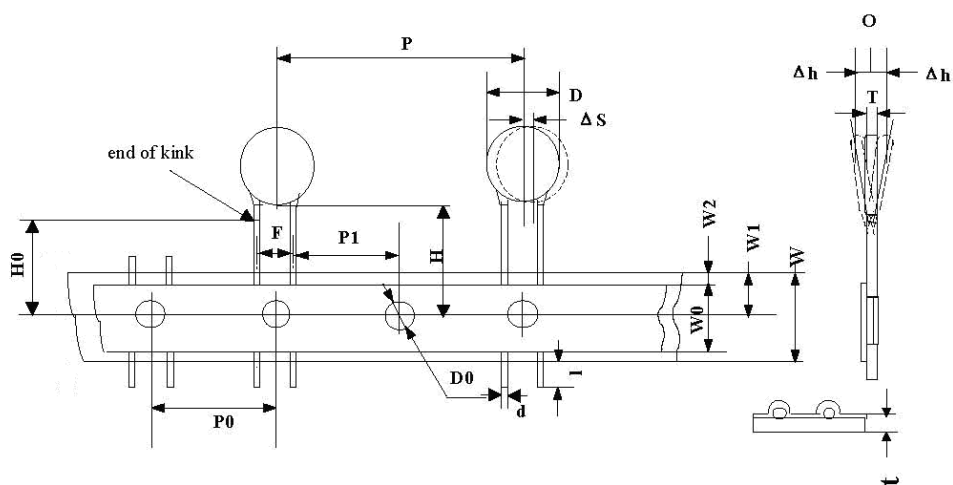
For kink lead only.

2. *2 直脚产品以H为准。

For straight lead only.

Figure 3

TAPING STYLE U



| Symbol | Dimension(mm) |
|--------|---------------------------------|
| P0 | 12.7±0.2 |
| P | 25.4±1.0 |
| F | 10.0±0.5 |
| P1 | 7.7±0.4 |
| P2 | |
| H0 | 16.0±0.5*1 |
| H | 20.0±0.5*2 |
| W | 18.0±0.5 |
| W0 | 8.0min. |
| W1 | 9.0±0.3 |
| W2 | 3.0max. |
| t | 0.7±0.2 |
| D | To comply with individual sheet |
| D0 | 4±0.2 |
| d | To comply with individual sheet |
| l | 2.0max. |
| T | To comply with individual sheet |
| ΔS | 1.0 max. |
| Δh | 1.0 max. |

1. *1 打弯脚型以H0为准。

For kink lead only.

2. *2 直脚产品以H为准。

For straight lead only.

Figure 6

X-ON Electronics

Largest Supplier of Electrical and Electronic Components

Click to view similar products for [Safety Capacitors](#) category:

Click to view products by [South HongMing](#) manufacturer:

Other Similar products are found below :

[B32022B3223K026](#) [B32912A3104K026](#) [B81123C1102M003](#) [MKPY2-.02230020P15](#) [46KN333000M1M](#) [46KN422000P0M](#)
[46KR422000M1K](#) [MP1125KRE6RLC](#) [MP2683KGC2XLC](#) [MP2124KGC3XLC](#) [MP2684KGD4XLC](#) [MP2474KGE1XLC](#) [46KF268000M1M](#)
[46KI3150NDM2M](#) [PHE840MD6220MD13R30](#) [PHE840MY6470MD14R06](#) [PHE845VD5470MR06](#) [R463N4100ZAM1K](#) [MKPX2R-](#)
[1/400/10P27](#) [YP500101K040B20C2P](#) [YU0AH222M090DAMD0B](#) [LS1808N102K302NX080TM](#) [CY1471KE1IEB46X2A2](#)
[CY1222ME5IEE48O2A2](#) [MPX474K31DTEV158G0](#) [Y2560K-D1I-B4-AC250V](#) [HMF222MG3BW](#) [CY1471ME19EE45W2A2](#)
[MPX104K31D2KN158HF](#) [MPX224K31D2KN158G0](#) [PX104K2W1502](#) [MP2224K32C5J6LC](#) [H102M050FQ55250L750A](#)
[MP2474K32D6R8LC](#) [MP2224K32C3J6LC](#) [MP2104K32C3J6LC](#) [PX334K2C1006](#) [YU0AC222M080L20C7B](#) [MP2473K27B2X6LC](#)
[MP2224K32D4J8LC](#) [MP2684K32D6T8LC](#) [ST3Y1Y5U332M500VAC](#) [ST3Y1Y5V472M500VAC](#) [MP2474K32D4X8LC](#)
[MP2474K32D4J8LC](#) [YU0AH332M110L4EB0B](#) [CY1681ME1IEE45S2A2](#) [Y1220J-E1I-B4-AC400V](#) [Y1120K-E1I-B4-AC400V](#)
[MP2154K32D2R8LC](#)