

瓷介电容器 Ceramic Capacitors

特性 Feature

- 容量范围 Wide capacitance range from 100pF to 10000pF
- 工作温度 Operating Temperature: -40℃~125℃
- 存储温度 Storage Temperature: -10℃~40℃

应用 Applications

瓷介电容器适用于电子设备的电源电路噪声抑制电路中，也可用于天线耦合跨接和旁路电路中。
These products Can be used in noise suppression of power supply circuit for general electronic equipment, and might be used as antenna coupling, crossing and bypass circuit.

使用标准Applicable Standard

| 通过认证 APPROVAL | 认证组织 ORGANIZATION | 标准. SAFTY STANDARDS | 证书 CERTIFICATE NO. |
|---|----------------------|------------------------|--|
|  | UL CUL | UL60384-14 | E154899 |
|  | CSA | CAN/CSA-E60384-14 | 2405436 2405437 |
|  | (VDE+ENEC)VD E | IEC 60384 -14 | 40036393 40036246 |
|  | SEMKO | EN60384-14 | 1914801 |
|  | KTC | K60384 - 14 | HU03004-16006A HU03004-16007A HU03004-16008A |
|  | NEMKO | EN60384-14 | P19223823 |
|  | DEMKO | EN60384-14 | D-03468-M1 |
|  | FIMKO | IEC 60384 -14 | FI 40341 |
|  | SEV | IEC 60384 -14 | 19.0474 19.0475 |
|  | CQC | IEC 60384 -14 | CQC15001124387 CQC15001124387 CQC15001127382 |

产品型号 Part Number

DCF 331 K 30 Y5P G 6 B L 0 □ □

型号 Type:

DCF: 交流圆片瓷介电容器
DCG: 超高压瓷片电容器
DCH: 高压圆片瓷介电容器

电容量 (Capacitance):

470: 47pF
471: 470pF
472: 2200pF
103: 10000pF

电容量允许偏差

Capacitance Tolerance:

M=20% Z=+80%-20%
K=±10% J=±5%

尺寸代码 Size:

见规格详情
See the specification

温度特性

temperature characteristic:

Y5P, Y5U, Y5V

额定电压 Rated voltage:

N=1KVDC P=2KVDC R=3KVDC
G=X1 400VAC Y1 250VAC Q=X1 400VAC/Y2 250VAC

电极材料:

Electrode Material
Copper or Silver electrode

内部管理代码

Interior managing

位引线间距 Lead spacing:

5=5.0mm 7=7.5mm 0=10mm

引线式样 Lead style:

L、P
见引线形状 see the lead style
Figure1-2 and figure 1-5

位引线长度/包装方法/

Lead length/package:

B=26.0±1.0mm, L=2.3±0.3mm
D=4.5±0.5mm, J=3.2±0.3mm,
W=3.4±0.3mm, K=2.8±0.5mm,
F=12.7mm 编带/扇折, V=15.0mm 编带/扇折

引线直径 Lead diameter:

CP 线:
6=0.55±0.05mm 8=0.78±0.05mm

脚型 Lead style



Figure 1-2



Figure 1-5

规格Specification

| SHM 产品代码 SHM Part No. | 额定电压 Rated voltage (VAC) | 标称容量 Nominal capacitance (pF) | 电容量允许 偏差范围 Tolerance (%) | 温度特性 Temperature Characteristic | 产品尺寸 (mm) | | | | |
|--------------------------|--------------------------------|-------------------------------------|-----------------------------------|---------------------------------------|---------------------|---------------------|----------------|----------------|-----------|
| | | | | | 直径 Dmax. (mm) | 厚度 Tmax. (mm) | 引线间距 F (mm) | 引线直径 d (mm) | 散件/ 编带 |
| DCF101K24Y5PG5LK4CV | Y1 250~ | 100 | ±10% | Y5P (B) | 6.0 | 6.0 | 8.0 | 0.48±0.05 | 散件 |
| DCF101K24Y5PG5LKACK | Y1 250~ | 100 | ±10% | Y5P (B) | 6.0 | 6.0 | 10.0 | 0.48±0.05 | 散件 |
| DCF101K24Y5PG5LLACK | Y1 250~ | 100 | ±10% | Y5P (B) | 6.0 | 6.0 | 10.0 | 0.48±0.05 | 散件 |
| DCF101K24Y5PG5LLACV | Y1 250~ | 100 | ±10% | Y5P (B) | 6.0 | 6.0 | 10.0 | 0.48±0.05 | 散件 |
| DCF101K24Y5PG5MLACK | Y1 250~ | 100 | ±10% | Y5P (B) | 6.0 | 6.0 | 10.0 | 0.48±0.05 | 散件 |
| DCF101K24Y5PG62L9CK | Y1 250~ | 100 | ±10% | Y5P (B) | 6.0 | 6.0 | 9 | 0.55±0.05 | 散件 |
| DCF101K24Y5PG6VH0EG | Y1 250~ | 100 | ±10% | Y5P (B) | 6.0 | 6.0 | 10.0 | 0.55±0.05 | 编带 |
| DCF101K26Y5PG62L0A0 | Y1 250~ | 100 | ±10% | Y5P (B) | 6.8 | 6.0 | 10.0 | 0.55±0.05 | 散件 |
| DCF101K26Y5PG63H0BL | Y1 250~ | 100 | ±10% | Y5P (B) | 6.8 | 6.0 | 10.0 | 0.55±0.05 | 散件 |
| DCF101K26Y5PG9VPOCW | Y1 250~ | 100 | ±10% | Y5P (B) | 6.8 | 6.0 | 10.0 | 0.58±0.05 | 编带 |
| DCF102M26Y5UG62L0A0 | Y1 250~ | 1000 | ±20% | Y5U (E) | 6.8 | 6.0 | 10.0 | 0.55±0.05 | 散件 |
| DCF102M26Y5UG6CL0A0 | Y1 250~ | 1000 | ±20% | Y5U (E) | 6.8 | 6.0 | 10.0 | 0.55±0.05 | 散件 |
| DCF102M26Y5UG6CL0L0 | Y1 250~ | 1000 | ±20% | Y5U (E) | 6.8 | 6.0 | 10.0 | 0.55±0.05 | 散件 |
| DCF102M26Y5UG6JL0A2 | Y1 250~ | 1000 | ±20% | Y5U (E) | 6.8 | 6.0 | 10.0 | 0.55±0.05 | 散件 |
| DCF102M26Y5UG6WL0A0 | Y1 250~ | 1000 | ±20% | Y5U (E) | 6.8 | 6.0 | 10.0 | 0.55±0.05 | 散件 |
| DCF102M26Y5UG6WL0A2 | Y1 250~ | 1000 | ±20% | Y5U (E) | 6.8 | 6.0 | 10.0 | 0.55±0.05 | 散件 |
| DCF102M26Y5UG9VPOCW | Y1 250~ | 1000 | ±20% | Y5U (E) | 6.8 | 6.0 | 10.0 | 0.58±0.05 | 编带 |
| DCF102M26Y5UQ66L7A6 | Y2 250~ | 1000 | ±20% | Y5U (E) | 6.8 | 5.0 | 7.5 | 0.55±0.05 | 散件 |
| DCF102M26Y5UQ6WL7A0 | Y2 250~ | 1000 | ±20% | Y5U (E) | 6.8 | 5.0 | 7.5 | 0.55±0.05 | 散件 |
| DCF102M30Y5UQ6VHDA0 | Y2 250~ | 1000 | ±20% | Y5U (E) | 7.8 | 5.0 | 7.5 | 0.55±0.05 | 编带 |
| DCF102M30Y5UQEYK7A0 | Y2 250~ | 1000 | ±20% | Y5U (E) | 7.8 | 5.0 | 7.5 | 0.58±0.05 | 编带 |
| DCF102M34Y5UG6JK0AB | Y1 250~ | 1000 | ±20% | Y5U (E) | 9.0 | 6.0 | 10.0 | 0.55±0.05 | 散件 |
| DCF102M34Y5UG6VH0DA | Y1 250~ | 1000 | ±20% | Y5U (E) | 9.0 | 6.0 | 10.0 | 0.55±0.05 | 编带 |
| DCF102M34Y5UG6WK0A0 | Y1 250~ | 1000 | ±20% | Y5U (E) | 9.0 | 6.0 | 10.0 | 0.55±0.05 | 散件 |
| DCF102M34Y5UG6WW0A0 | Y1 250~ | 1000 | ±20% | Y5U (E) | 9.0 | 6.0 | 10.0 | 0.55±0.05 | 散件 |
| DCF103M56Y5VQ66L7A6 | Y2 250~ | 10000 | ±20% | Y5V (F) | 14.7 | 5.0 | 7.5 | 0.55±0.05 | 编带 |
| DCF103M56Y5VQEYK7A0 | Y2 250~ | 10000 | ±20% | Y5V (F) | 14.7 | 5.0 | 7.5 | 0.58±0.05 | 编带 |
| DCF103M69Y5VG8ULAL0 | Y1 250~ | 10000 | ±20% | Y5V (F) | 18.0 | 6.0 | 10.0 | 0.78±0.05 | 编带 |
| DCF151K24Y5PG6VHAET | Y1 250~ | 150 | ±10% | Y5P (B) | 6.0 | 6.0 | 10.0 | 0.55±0.05 | 编带 |
| DCF152M30Y5UG66L0A2 | Y1 250~ | 1500 | ±20% | Y5U (E) | 7.8 | 6.0 | 10.0 | 0.55±0.05 | 散件 |
| DCF152M30Y5VG6WL0A0 | Y1 250~ | 1500 | ±20% | Y5V (F) | 7.8 | 6.0 | 10.0 | 0.55±0.05 | 散件 |
| DCF152M36Y5UG63P1A2 | Y1 250~ | 1500 | ±20% | Y5U (E) | 9.8 | 6.0 | 10.5 | 0.55±0.05 | 散件 |

| | | | | | | | | | |
|---------------------|---------|------|------|--------|-----|-----|------|-----------|----|
| DCF152M36Y5UG6JL0A0 | Y1 250~ | 1500 | ±20% | Y5U(E) | 9.8 | 6.0 | 10.0 | 0.55±0.05 | 散件 |
| DCF152M36Y5UG6WP0A0 | Y1 250~ | 1500 | ±20% | Y5U(E) | 9.8 | 6.0 | 10.0 | 0.55±0.05 | 散件 |
| DCF221K22Y5PG6KP9F2 | Y1 250~ | 220 | ±10% | Y5P(B) | 5.5 | 6.0 | 9 | 0.55±0.05 | 散件 |
| DCF221K22Y5PG6VL9DD | Y1 250~ | 220 | ±10% | Y5P(B) | 5.5 | 6.0 | 9 | 0.55±0.05 | 编带 |
| DCF221K22Y5PQ62LDDD | Y2 250~ | 220 | ±10% | Y5P(B) | 5.5 | 5.0 | 7.5 | 0.55±0.05 | 散件 |
| DCF221K22Y5PQ6KLDDD | Y2 250~ | 220 | ±10% | Y5P(B) | 5.5 | 5.0 | 7.5 | 0.55±0.05 | 散件 |
| DCF221K22Y5PQ6ML7C9 | Y2 250~ | 220 | ±10% | Y5P(B) | 5.5 | 5.0 | 7.5 | 0.55±0.05 | 散件 |
| DCF221K22Y5PQ6VHDET | Y2 250~ | 220 | ±10% | Y5P(B) | 5.5 | 5.0 | 7.5 | 0.55±0.05 | 编带 |
| DCF221K24Y5PG52LACK | Y1 250~ | 220 | ±10% | Y5P(B) | 6.0 | 6.0 | 10.0 | 0.48±0.05 | 散件 |
| DCF221K24Y5PG62K9G7 | Y1 250~ | 220 | ±10% | Y5P(B) | 6.0 | 6.0 | 9 | 0.55±0.05 | 散件 |
| DCF221K24Y5PG62P9F2 | Y1 250~ | 220 | ±10% | Y5P(B) | 6.0 | 6.0 | 9 | 0.55±0.05 | 散件 |
| DCF221K24Y5PG6KH9CK | Y1 250~ | 220 | ±10% | Y5P(B) | 6.0 | 6.0 | 9 | 0.55±0.05 | 散件 |
| DCF221K24Y5PG6KHACK | Y1 250~ | 220 | ±10% | Y5P(B) | 6.0 | 6.0 | 10.0 | 0.55±0.05 | 散件 |
| DCF221K24Y5PG6VHODA | Y1 250~ | 220 | ±10% | Y5P(B) | 6.0 | 6.0 | 10.0 | 0.55±0.05 | 编带 |
| DCF221K24Y5PG6VHOFD | Y1 250~ | 220 | ±10% | Y5P(B) | 6.0 | 6.0 | 10.0 | 0.55±0.05 | 编带 |
| DCF221K26Y5PG62L0A0 | Y1 250~ | 220 | ±10% | Y5P(B) | 6.8 | 6.0 | 10.0 | 0.55±0.05 | 散件 |
| DCF221K26Y5PG6JK0A0 | Y1 250~ | 220 | ±10% | Y5P(B) | 6.8 | 6.0 | 10.0 | 0.55±0.05 | 散件 |
| DCF221K26Y5PG6JL0A2 | Y1 250~ | 220 | ±10% | Y5P(B) | 6.8 | 6.0 | 10.0 | 0.55±0.05 | 散件 |
| DCF221K26Y5PG6JP0A0 | Y1 250~ | 220 | ±10% | Y5P(B) | 6.8 | 6.0 | 10.0 | 0.55±0.05 | 散件 |
| DCF221K26Y5PG6VHAF8 | Y1 250~ | 220 | ±10% | Y5P(B) | 6.8 | 6.0 | 10.0 | 0.55±0.05 | 编带 |
| DCF221K26Y5PG6VKAA0 | Y1 250~ | 220 | ±10% | Y5P(B) | 6.8 | 6.0 | 10.0 | 0.55±0.05 | 编带 |
| DCF221K26Y5PG6WK0A0 | Y1 250~ | 220 | ±10% | Y5P(B) | 6.8 | 6.0 | 10.0 | 0.55±0.05 | 散件 |
| DCF221K26Y5PG6WL0A0 | Y1 250~ | 220 | ±10% | Y5P(B) | 6.8 | 6.0 | 10.0 | 0.55±0.05 | 散件 |
| DCF221K26Y5PG6WL1A2 | Y1 250~ | 220 | ±10% | Y5P(B) | 6.8 | 6.0 | 10.5 | 0.55±0.05 | 散件 |
| DCF221K26Y5PG6WP0A0 | Y1 250~ | 220 | ±10% | Y5P(B) | 6.8 | 6.0 | 10.0 | 0.55±0.05 | 散件 |
| DCF221K26Y5PG73L0A0 | Y1 250~ | 220 | ±10% | Y5P(B) | 6.8 | 6.0 | 10.0 | 0.65±0.05 | 散件 |
| DCF221K26Y5PG9VP0L0 | Y1 250~ | 220 | ±10% | Y5P(B) | 6.8 | 6.0 | 10.0 | 0.58±0.05 | 编带 |
| DCF221K26Y5PQ62L7BL | Y2 250~ | 220 | ±10% | Y5P(B) | 6.8 | 5.0 | 7.5 | 0.55±0.05 | 散件 |
| DCF221K30Y5PG6VH0BT | Y1 250~ | 220 | ±10% | Y5P(B) | 7.8 | 6.0 | 10.0 | 0.55±0.05 | 编带 |
| DCF222M30Y5UQ6WL7A0 | Y2 250~ | 2200 | ±20% | Y5U(E) | 7.8 | 5.0 | 7.5 | 0.55±0.05 | 散件 |
| DCF222M30Y5VQ6VL7BU | Y2 250~ | 2200 | ±20% | Y5V(F) | 7.8 | 5.0 | 7.5 | 0.55±0.05 | 编带 |
| DCF222M34Y5UG65L0A0 | Y1 250~ | 2200 | ±20% | Y5U(E) | 9.0 | 6.0 | 10.0 | 0.55±0.05 | 散件 |
| DCF222M34Y5UG6BL0L0 | Y1 250~ | 2200 | ±20% | Y5U(E) | 9.0 | 6.0 | 10.0 | 0.55±0.05 | 散件 |
| DCF222M34Y5UG6JK0A0 | Y1 250~ | 2200 | ±20% | Y5U(E) | 9.0 | 6.0 | 10.0 | 0.55±0.05 | 散件 |
| DCF222M34Y5UG6JL0A0 | Y1 250~ | 2200 | ±20% | Y5U(E) | 9.0 | 6.0 | 10.0 | 0.55±0.05 | 散件 |
| DCF222M34Y5UG6VL7BU | Y1 250~ | 2200 | ±20% | Y5U(E) | 9.0 | 6.0 | 7.5 | 0.55±0.05 | 编带 |
| DCF222M34Y5UG6WK0A0 | Y1 250~ | 2200 | ±20% | Y5U(E) | 9.0 | 6.0 | 10.0 | 0.55±0.05 | 散件 |

| | | | | | | | | | |
|---------------------|---------|------|------|--------|------|-----|------|-----------|----|
| DCF222M34Y5UG6WL0A2 | Y1 250~ | 2200 | ±20% | Y5U(E) | 9.0 | 6.0 | 10.0 | 0.55±0.05 | 散件 |
| DCF222M34Y5UG6WL0L0 | Y1 250~ | 2200 | ±20% | Y5U(E) | 9.0 | 6.0 | 10.0 | 0.55±0.05 | 散件 |
| DCF222M34Y5UGEVK7A0 | Y1 250~ | 2200 | ±20% | Y5U(E) | 9.0 | 6.0 | 7.5 | 0.58±0.05 | 编带 |
| DCF222M34Y5UQ6VL7BU | Y2 250~ | 2200 | ±20% | Y5U(E) | 9.0 | 5.0 | 7.5 | 0.55±0.05 | 编带 |
| DCF222M34Y5UQ6WK7A0 | Y2 250~ | 2200 | ±20% | Y5U(E) | 9.0 | 5.0 | 7.5 | 0.55±0.05 | 散件 |
| DCF222M34Y5UQ6WL7A0 | Y2 250~ | 2200 | ±20% | Y5U(E) | 9.0 | 5.0 | 7.5 | 0.55±0.05 | 散件 |
| DCF222M34Y5UQ6WP7A0 | Y2 250~ | 2200 | ±20% | Y5U(E) | 9.0 | 5.0 | 7.5 | 0.55±0.05 | 散件 |
| DCF222M34Y5VG6WL0A0 | Y1 250~ | 2200 | ±20% | Y5V(F) | 9.0 | 6.0 | 10.0 | 0.55±0.05 | 散件 |
| DCF222M39Y5UGEUP0A0 | Y1 250~ | 2200 | ±20% | Y5U(E) | 10.5 | 6.0 | 10.0 | 0.58±0.05 | 编带 |
| DCF331K26Y5PG6JL0A0 | Y1 250~ | 330 | ±10% | Y5P(B) | 6.8 | 6.0 | 10.0 | 0.55±0.05 | 散件 |
| DCF331K26Y5PG6VHAEC | Y1 250~ | 330 | ±10% | Y5P(B) | 6.8 | 6.0 | 10.0 | 0.55±0.05 | 编带 |
| DCF331K26Y5PQ6JHDCH | Y2 250~ | 330 | ±10% | Y5P(B) | 6.8 | 5.0 | 7.5 | 0.55±0.05 | 散件 |
| DCF331K30Y5PG6JHAFW | Y1 250~ | 330 | ±10% | Y5P(B) | 7.8 | 6.0 | 10.0 | 0.55±0.05 | 散件 |
| DCF331K30Y5PG6KHAFW | Y1 250~ | 330 | ±10% | Y5P(B) | 7.8 | 6.0 | 10.0 | 0.55±0.05 | 散件 |
| DCF332M39Y5UG6JK0L0 | Y1 250~ | 3300 | ±20% | Y5U(E) | 10.5 | 6.0 | 10.0 | 0.55±0.05 | 散件 |
| DCF332M39Y5VG6WL0A0 | Y1 250~ | 3300 | ±20% | Y5V(F) | 10.5 | 6.0 | 10.0 | 0.55±0.05 | 散件 |
| DCF470K26Y5PG6LHADP | Y1 250~ | 47 | ±10% | Y5P(B) | 6.8 | 6.0 | 10.0 | 0.55±0.05 | 散件 |
| DCF470K26Y5PG6MH0AD | Y1 250~ | 47 | ±10% | Y5P(B) | 6.8 | 6.0 | 10.0 | 0.55±0.05 | 散件 |
| DCF471K26Y5PG6JL0A2 | Y1 250~ | 470 | ±10% | Y5P(B) | 6.8 | 6.0 | 10.0 | 0.55±0.05 | 散件 |
| DCF471K26Y5PG6JP0A0 | Y1 250~ | 470 | ±10% | Y5P(B) | 6.8 | 6.0 | 10.0 | 0.55±0.05 | 散件 |
| DCF471K26Y5PG6WH0A1 | Y1 250~ | 470 | ±10% | Y5P(B) | 6.8 | 6.0 | 10.0 | 0.55±0.05 | 散件 |
| DCF471K26Y5PG9VP0CW | Y1 250~ | 470 | ±10% | Y5P(B) | 6.8 | 6.0 | 10.0 | 0.58±0.05 | 编带 |
| DCF471K30Y5PG5LKACH | Y1 250~ | 470 | ±10% | Y5P(B) | 7.8 | 6.0 | 10.0 | 0.48±0.05 | 散件 |
| DCF471K30Y5PG62L0A8 | Y1 250~ | 470 | ±10% | Y5P(B) | 7.8 | 6.0 | 10.0 | 0.55±0.05 | 散件 |
| DCF471K30Y5PQ6DL7A1 | Y2 250~ | 470 | ±10% | Y5P(B) | 7.8 | 5.0 | 7.5 | 0.55±0.05 | 散件 |
| DCF471K30Y5PQ6WP7A0 | Y2 250~ | 470 | ±10% | Y5P(B) | 7.8 | 5.0 | 7.5 | 0.55±0.05 | 散件 |
| DCF471K34Y5PG6JK0AB | Y1 250~ | 470 | ±10% | Y5P(B) | 9.0 | 6.0 | 10.0 | 0.55±0.05 | 散件 |
| DCF471K34Y5PG6JL0A3 | Y1 250~ | 470 | ±10% | Y5P(B) | 9.0 | 6.0 | 10.0 | 0.55±0.05 | 散件 |
| DCF471K34Y5PG6VH0DA | Y1 250~ | 470 | ±10% | Y5P(B) | 9.0 | 6.0 | 10.0 | 0.55±0.05 | 编带 |
| DCF471M26Y5UG6VH0B8 | Y1 250~ | 470 | ±20% | Y5U(E) | 6.8 | 6.0 | 10.0 | 0.55±0.05 | 编带 |
| DCF471M26Y5UG6WK0A0 | Y1 250~ | 470 | ±20% | Y5U(E) | 6.8 | 6.0 | 10.0 | 0.55±0.05 | 散件 |
| DCF471M26Y5UG9VP0L0 | Y1 250~ | 470 | ±20% | Y5U(E) | 6.8 | 6.0 | 10.0 | 0.58±0.05 | 编带 |
| DCF472M39Y5UQ6VL7A0 | Y2 250~ | 4700 | ±20% | Y5U(E) | 10.5 | 5.0 | 7.5 | 0.55±0.05 | 编带 |
| DCF472M39Y5UQEVK7BB | Y2 250~ | 4700 | ±20% | Y5U(E) | 10.5 | 5.0 | 7.5 | 0.58±0.05 | 编带 |
| DCF472M39Y5UQEV7A6 | Y2 250~ | 4700 | ±20% | Y5U(E) | 10.5 | 5.0 | 7.5 | 0.58±0.05 | 编带 |
| DCF472M39Y5VQ6WL7A0 | Y2 250~ | 4700 | ±20% | Y5V(F) | 10.5 | 5.0 | 7.5 | 0.55±0.05 | 散件 |
| DCF472M46Y5VG6WK0A0 | Y1 250~ | 4700 | ±20% | Y5V(F) | 12.3 | 6.0 | 10.0 | 0.55±0.05 | 散件 |

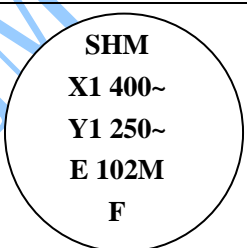
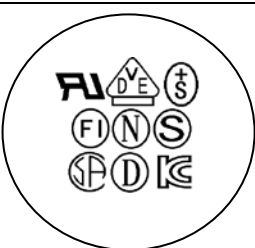
| | | | | | | | | | |
|---------------------|---------|------|------|--------|------------------|-----|------|-----------|----|
| DCF472M46Y5VGCVL0L0 | Y1 250~ | 4700 | ±20% | Y5V(F) | 12. ₃ | 6.0 | 10.0 | 0.65±0.05 | 编带 |
| DCF680K24Y5PG63HACK | Y1 250~ | 68 | ±10% | Y5P(B) | 6.0 | 6.0 | 10.0 | 0.55±0.05 | 散件 |
| DCF681K36Y5PG6VH0CW | Y1 250~ | 680 | ±10% | Y5P(B) | 9.8 | 6.0 | 10.0 | 0.55±0.05 | 编带 |

电性能指标 Electrical Performance

| 序号 No. | 项目名称 Item | | 技术要求 Specification | |
|--------|---------------------------------------|-------|-------------------------|--------------------------------|
| 1 | 容量和误差 C | | @25°C, 1 kHz and 1 Vrms | 参照规格表 See the specification |
| 2 | 损耗系数 DF | | @25°C, 1 kHz and 1 Vrms | 2.5% max. |
| 3 | 绝缘电阻 IR | | @500 VDC, 60S | 10000MΩ min |
| 4 | 耐电压 Rate Voltage | X1/Y2 | 2600Vrms | 无击穿或飞弧。 No visible damage |
| | | X1/Y1 | 2500Vrms | |
| 5 | 温度特性 temperature characteristic | Y5P | ±10% | |
| | | Y5U | +22% to -56% | |
| | | Y5V | +22% to -82% | |

标志 Marking

例如 e.g

| Y1 电容器 | |
|---|--|
| 正面 | 反面 |
|  |  |

| Y2 电容器 | |
|--------|----|
| 正面 | 反面 |
| | |

SHM
X1 400~
Y2 250~
E 102M
F

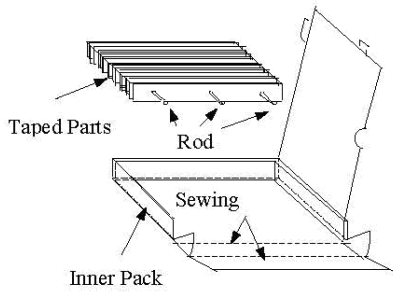
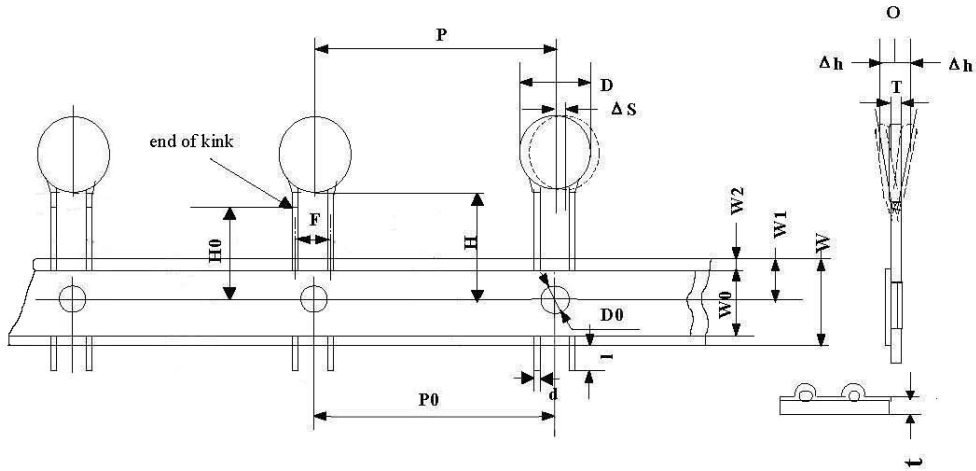


SHM®

SHM®

SHM®

TAPING STYLE V



| Symbol | Dimension(mm) |
|-----------|---------------------------------|
| P0 | 15.0±0.2 |
| P | 15.0±1.0 |
| F | 10.0±0.5 |
| P1 | |
| P2 | |
| H0 | 16.0±0.5*1 |
| H | 20.0±0.5*2 |
| W | 18.0±0.5 |
| W0 | 8.0min. |
| W1 | 9.0±0.3 |
| W2 | 3.0max. |
| t | 0.7±0.2 |
| D | To comply with individual sheet |
| D0 | 4±0.2 |
| d | To comply with individual sheet |
| l | 2.0max. |
| T | To comply with individual sheet |
| ΔS | 1.0 max. |
| Δh | 1.0 max. |

1. *1 打弯脚型以H0为准。

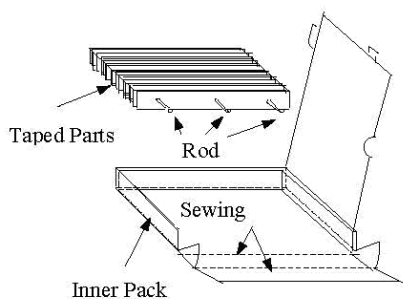
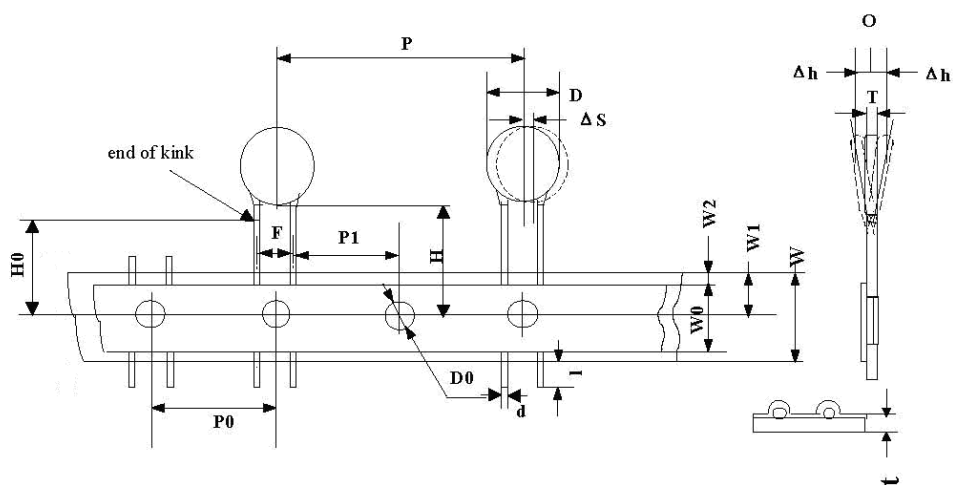
For kink lead only.

2. *2 直脚产品以H为准。

For straight lead only.

Figure 3

TAPING STYLE U



| Symbol | Dimension(mm) |
|------------|---------------------------------|
| P0 | 12.7±0.2 |
| P | 25.4±1.0 |
| F | 10.0±0.5 |
| P1 | 7.7±0.4 |
| P2 | |
| H0 | 16.0±0.5*1 |
| H | 20.0±0.5*2 |
| W | 18.0±0.5 |
| W0 | 8.0min. |
| W1 | 9.0±0.3 |
| W2 | 3.0max. |
| t | 0.7±0.2 |
| D | To comply with individual sheet |
| D0 | 4±0.2 |
| d | To comply with individual sheet |
| l | 2.0max. |
| T | To comply with individual sheet |
| Δ S | 1.0 max. |
| Δ h | 1.0 max. |

1. *1 打弯脚型以H0为准。

For kink lead only.

2. *2 直脚产品以H为准。

For straight lead only.

Figure 6

X-ON Electronics

Largest Supplier of Electrical and Electronic Components

Click to view similar products for [Safety Capacitors](#) category:

Click to view products by [South HongMing](#) manufacturer:

Other Similar products are found below :

[B32022B3223K026](#) [B32912A3104K026](#) [46KI3470DQM1K](#) [B32913A3154K](#) [B81123C1102M003](#) [MKPY2-.02230020P15](#)
[46KN333000M1M](#) [46KN422000P0M](#) [DE1E3KX222MJ4BN01F](#) [46KR422000M1K](#) [HUB2200-S](#) [46KF268000M1M](#) [46KI3150NDM2M](#)
[PHE840MD6220MD13R30](#) [PHE840MY6470MD14R06](#) [PHE845VD5470MR06](#) [R463N4100ZAM1K](#) [MKPX2R-1/400/10P27](#)
[YP500101K040B20C2P](#) [YU0AH222M090DAMD0B](#) [LS1808N102K302NX080TM](#) [CY1471KE1IEB46X2A2](#) [CY1222ME5IEE48O2A2](#)
[MPX474K31DTEV158G0](#) [CY1471ME19EE45W2A2](#) [MPX104K31D2KN158HF](#) [MPX224K31D2KN158G0](#) [PX104K2W1502](#)
[YU1AH222M090DASD0H](#) [C47S1472K60C000](#) [MP2224K32C5J6LC](#) [H102M050FQ55250L750A](#) [MP2474K32D6R8LC](#)
[MP2224K32C3J6LC](#) [MP2104K32C3J6LC](#) [PX334K2C1006](#) [YU0AC222M080L20C7B](#) [MP2473K27B2X6LC](#) [MP2224K32D4J8LC](#)
[MP2684K32D6T8LC](#) [ST3Y1Y5U332M500VAC](#) [ST3Y1Y5V472M500VAC](#) [MP2474K32D4X8LC](#) [MP2474K32D4J8LC](#)
[YU0AH332M110L4EB0B](#) [CY1681ME1IEE45S2A2](#) [Y1220J-E1I-B4-AC400V](#) [Y1120K-E1I-B4-AC400V](#) [MP2154K32D2R8LC](#)
[ST1Y1Y5V222M500VAC](#)