

高压瓷介电容器

High Voltage Ceramic Capacitors

特性 Feature

- 容量范围 Wide capacitance range from 100pF to 10000pF
- 工作温度 Operating Temperature: $-40^{\circ}\text{C} \sim 125^{\circ}\text{C}$
- 存储温度 Storage Temperature: $-10^{\circ}\text{C} \sim 40^{\circ}\text{C}$

应用 Applications

高压瓷介电容器具有耐直流高压的特点，适用于高压旁路和耦合电路中。其中的低损耗高压圆片瓷介电容器具有较低的介质损耗，特别适合在电视接收机的行扫描等电路中使用。

The high voltage disc ceramic capacitors have feature of withstanding higher voltage. These capacitors are used in bypass and coupling circuit, and those capacitors with low dissipation factor are particularly suitable for use in the line scan circuit in TV receiver.

产品型号 Part Number

DCH 331 K 26 Y5P N 6 B L 5 □ □

型号 Type:

DCF: 交流圆片瓷介电容器
DCG: 超高压瓷片电容器
DCH: 高压圆片瓷介电容器

电容量 (Capacitance):

470: 47pF
471: 470pF
472: 2200pF
103: 10000pF

电容量允许偏差

Capacitance Tolerance:

M=20% Z=+80%-20%
K=±10% J=±5%

尺寸代码 Size:

见规格详情
See the specification

温度特性

temperature characteristic:

Y5P, Y5U, Y5V

额定电压 Rated voltage:

N=1KVDC P=2KVDC R=3KVDC
G=X1 400VAC Y1 250VAC Q=X1 400VAC/Y2 250VAC

电极材料:

Electrode Material

Copper or Silver electrode

内部管理代码

Interior managing

位引线间距 Lead spacing:

5=5.0mm 7=7.5mm 0=10mm

引线式样 Lead style:

L、J、
见引线形状 see the lead style
Figure1-2 and figure 1-3

位引线长度/包装方法/

Lead length/package:

B=26.0±1.0mm, L=2.3±0.3mm
D=4.5±0.5mm, J=3.2±0.3mm,
W=3.4±0.3mm, K=2.8±0.5mm,
F=12.7mm 编带/扇折, V=15.0mm 编带/扇折

引线直径 Lead diameter:

CP 线:
6=0.55±0.05mm 8=0.78±0.05mm

脚型 Lead style



Figure 1-2



Figure 1-3

规格 Specification

| SHM 产品代码 SHM Part No. | 额定电压 Rated voltage (KV) | 标称容量 Nominal capacitance (pF) | 电容量允许 偏差范围 Tolerance (%) | 温度特性 Temperature Characteristic | 产品尺寸(mm) | | | | |
|--------------------------|-------------------------------|-------------------------------------|-----------------------------------|---------------------------------------|---------------------|---------------------|-------------------|----------------|-----------|
| | | | | | 直径 Dmax. (mm) | 厚度 Tmax. (mm) | 引线 间距 F(mm) | 引线直径 d (mm) | 散件/ 编带 |
| DCH100J22X7RN6FL5A0 | 1KVDC | 10 | ±5% | X7R | 5.5 | 4 | 5.0 | 0.55±0.05 | 编带 |
| DCH100K22COHN6FJ5EZ | 1KVDC | 10 | ±10% | COH | 5.5 | 4 | 5.0 | 0.55±0.05 | 编带 |
| DCH100K22COHNEFL5A0 | 1KVDC | 10 | ±10% | COH | 5.5 | 4 | 5.0 | 0.58Cu 线 | 编带 |
| DCH100K22SL N6FJ5A0 | 1KVDC | 10 | ±10% | SL | 5.5 | 4 | 5.0 | 0.55±0.05 | 编带 |
| DCH100K22SL N6WL5A0 | 1KVDC | 10 | ±10% | SL | 5.5 | 4 | 5.0 | 0.55±0.05 | 散件 |
| DCH100K22YR N6FJ5A0 | 1KVDC | 10 | ±10% | YR | 5.5 | 4 | 5.0 | 0.55±0.05 | 编带 |
| DCH100K22YR N6FJ5C8 | 1KVDC | 10 | ±10% | YR | 5.5 | 4 | 5.0 | 0.55±0.05 | 编带 |
| DCH100K22YR P6FJ5A0 | 2KVDC | 10 | ±10% | YR | 5.5 | 5 | 5.0 | 0.55±0.05 | 编带 |
| DCH101K22SL N63L5A0 | 1KVDC | 100 | ±10% | SL | 5.5 | 4 | 5.0 | 0.55±0.05 | 散件 |
| DCH101K22SL N6FL5A0 | 1KVDC | 100 | ±10% | SL | 5.5 | 4 | 5.0 | 0.55±0.05 | 编带 |
| DCH101K22SL N6FL5AR | 1KVDC | 100 | ±10% | SL | 5.5 | 4 | 5.0 | 0.55±0.05 | 编带 |
| DCH101K22SL N6WL5A0 | 1KVDC | 100 | ±10% | SL | 5.5 | 4 | 5.0 | 0.55±0.05 | 散件 |
| DCH101K22X7R16FL5A0 | 1KVDC | 100 | ±10% | X7R | 5.5 | 4 | 5.0 | 0.55±0.05 | 编带 |

| | | | | | | | | | |
|---------------------|-------|-----|------|-----|-----|---|-----|-----------|----|
| DCH101K22X7RN6FJ5B8 | 1KVDC | 100 | ±10% | X7R | 5.5 | 4 | 5.0 | 0.55±0.05 | 编带 |
| DCH101K22Y5P16FJ5A0 | 1KVDC | 100 | ±10% | Y5P | 5.5 | 4 | 5.0 | 0.55±0.05 | 编带 |
| DCH101K22Y5P16FL5A0 | 1KVDC | 100 | ±10% | Y5P | 5.5 | 4 | 5.0 | 0.55±0.05 | 编带 |
| DCH101K22Y5PN5WL5A0 | 1KVDC | 100 | ±10% | Y5P | 5.5 | 4 | 5.0 | 0.48±0.05 | 散件 |
| DCH101K22Y5PN6BL5A0 | 1KVDC | 100 | ±10% | Y5P | 5.5 | 4 | 5.0 | 0.55±0.05 | 散件 |
| DCH101K22Y5PN6FJ5EE | 1KVDC | 100 | ±10% | Y5P | 5.5 | 4 | 5.0 | 0.55±0.05 | 编带 |
| DCH101K22Y5PN6FJ7A0 | 1KVDC | 100 | ±10% | Y5P | 5.5 | 4 | 7.5 | 0.55±0.05 | 编带 |
| DCH101K22Y5PN6FK5A0 | 1KVDC | 100 | ±10% | Y5P | 5.5 | 4 | 5.0 | 0.55±0.05 | 编带 |
| DCH101K22Y5PN6FL5A0 | 1KVDC | 100 | ±10% | Y5P | 5.5 | 4 | 5.0 | 0.55±0.05 | 编带 |
| DCH101K22Y5PN6VK7A0 | 1KVDC | 100 | ±10% | Y5P | 5.5 | 4 | 7.5 | 0.55±0.05 | 编带 |
| DCH101K22Y5PN6WL5A0 | 1KVDC | 100 | ±10% | Y5P | 5.5 | 4 | 5.0 | 0.55±0.05 | 散件 |
| DCH101K22YR 16FJ5A0 | 1KVDC | 100 | ±10% | YR | 5.5 | 4 | 5.0 | 0.55±0.05 | 编带 |
| DCH101K22YR N6FH5GD | 1KVDC | 100 | ±10% | YR | 5.5 | 4 | 5.0 | 0.55±0.05 | 编带 |
| DCH101K22YR N6FJ5A0 | 1KVDC | 100 | ±10% | YR | 5.5 | 4 | 5.0 | 0.55±0.05 | 编带 |
| DCH101K22YR N6FJ5C8 | 1KVDC | 100 | ±10% | YR | 5.5 | 4 | 5.0 | 0.55±0.05 | 编带 |
| DCH101K22YR N6FK5C8 | 1KVDC | 100 | ±10% | YR | 5.5 | 4 | 5.0 | 0.55±0.05 | 编带 |
| DCH101K22YR N6FK5G8 | 1KVDC | 100 | ±10% | YR | 5.5 | 4 | 5.0 | 0.55±0.05 | 编带 |
| DCH101K26Y5PP6BL5A0 | 2KVDC | 100 | ±10% | Y5P | 6.8 | 5 | 5.0 | 0.55±0.05 | 散件 |
| DCH101K26Y5PR6BL5A0 | 3KVDC | 100 | ±10% | Y5P | 6.8 | 6 | 5.0 | 0.55±0.05 | 散件 |
| DCH101K26Y5PR6BL7A0 | 3KVDC | 100 | ±10% | Y5P | 6.8 | 6 | 7.5 | 0.55±0.05 | 散件 |
| DCH101K26YP P6FJ5EZ | 2KVDC | 100 | ±10% | YP | 6.8 | 5 | 5.0 | 0.55±0.05 | 编带 |
| DCH101K26YP P6FK5EZ | 2KVDC | 100 | ±10% | YP | 6.8 | 5 | 5.0 | 0.55±0.05 | 编带 |
| DCH101K26YR N6FJ5A0 | 1KVDC | 100 | ±10% | YR | 6.8 | 4 | 5.0 | 0.55±0.05 | 编带 |
| DCH101K26YR P6BL5A0 | 2KVDC | 100 | ±10% | YR | 6.8 | 5 | 5.0 | 0.55±0.05 | 散件 |
| DCH101K26YR P6FH5GD | 2KVDC | 100 | ±10% | YR | 6.8 | 5 | 5.0 | 0.55±0.05 | 编带 |

| | | | | | | | | | |
|---------------------|-------|------|------|-----|-----|---|-----|-----------|----|
| DCH101K26YR P6FJ5C8 | 2KVDC | 100 | ±10% | YR | 6.8 | 5 | 5.0 | 0.55±0.05 | 编带 |
| DCH102K30Y5P16FJ5A0 | 1KVDC | 1000 | ±10% | Y5P | 7.8 | 4 | 5.0 | 0.55±0.05 | 编带 |
| DCH102K30Y5PN60L5C8 | 1KVDC | 1000 | ±10% | Y5P | 7.8 | 4 | 5.0 | 0.55±0.05 | 散件 |
| DCH102K30Y5PN62L5A0 | 1KVDC | 1000 | ±10% | Y5P | 7.8 | 4 | 5.0 | 0.55±0.05 | 散件 |
| DCH102K30Y5PN63L5A0 | 1KVDC | 1000 | ±10% | Y5P | 7.8 | 4 | 5.0 | 0.55±0.05 | 散件 |
| DCH102K30Y5PN68L5A0 | 1KVDC | 1000 | ±10% | Y5P | 7.8 | 4 | 5.0 | 0.55±0.05 | 散件 |
| DCH102K30Y5PN6BL5A0 | 1KVDC | 1000 | ±10% | Y5P | 7.8 | 4 | 5.0 | 0.55±0.05 | 散件 |
| DCH102K30Y5PN6DL5A0 | 1KVDC | 1000 | ±10% | Y5P | 7.8 | 4 | 5.0 | 0.55±0.05 | 散件 |
| DCH102K30Y5PN6FJ5BB | 1KVDC | 1000 | ±10% | Y5P | 7.8 | 4 | 5.0 | 0.55±0.05 | 编带 |
| DCH102K30Y5PN6FJ5BU | 1KVDC | 1000 | ±10% | Y5P | 7.8 | 4 | 5.0 | 0.55±0.05 | 编带 |
| DCH102K30Y5PN6FJ5C8 | 1KVDC | 1000 | ±10% | Y5P | 7.8 | 4 | 5.0 | 0.55±0.05 | 编带 |
| DCH102K30Y5PN6FJ5EE | 1KVDC | 1000 | ±10% | Y5P | 7.8 | 4 | 5.0 | 0.55±0.05 | 编带 |
| DCH102K30Y5PN6FJ5EZ | 1KVDC | 1000 | ±10% | Y5P | 7.8 | 4 | 5.0 | 0.55±0.05 | 编带 |
| DCH102K30Y5PN6FK5A0 | 1KVDC | 1000 | ±10% | Y5P | 7.8 | 4 | 5.0 | 0.55±0.05 | 编带 |
| DCH102K30Y5PN6FL5A0 | 1KVDC | 1000 | ±10% | Y5P | 7.8 | 4 | 5.0 | 0.55±0.05 | 编带 |
| DCH102K30Y5PN6FL5BU | 1KVDC | 1000 | ±10% | Y5P | 7.8 | 4 | 5.0 | 0.55±0.05 | 编带 |
| DCH102K30Y5PN6JK7A0 | 1KVDC | 1000 | ±10% | Y5P | 7.8 | 4 | 7.5 | 0.55±0.05 | 散件 |
| DCH102K30Y5PN6WL5A0 | 1KVDC | 1000 | ±10% | Y5P | 7.8 | 4 | 5.0 | 0.55±0.05 | 散件 |
| DCH102K30Y5PN6WL7A0 | 1KVDC | 1000 | ±10% | Y5P | 7.8 | 4 | 7.5 | 0.55±0.05 | 散件 |
| DCH102K30Y5PNEFJ5A0 | 1KVDC | 1000 | ±10% | Y5P | 7.8 | 4 | 5.0 | 0.58Cu 线 | 编带 |
| DCH102K30Y5PNEFL5A0 | 1KVDC | 1000 | ±10% | Y5P | 7.8 | 4 | 5.0 | 0.58Cu 线 | 编带 |
| DCH102K30YP N6FL5A0 | 1KVDC | 1000 | ±10% | YP | 7.8 | 4 | 5.0 | 0.55±0.05 | 编带 |
| DCH102K34Y5PP6AL7A0 | 2KVDC | 1000 | ±10% | Y5P | 9 | 5 | 7.5 | 0.55±0.05 | 散件 |
| DCH102K34Y5PP6BL5A0 | 2KVDC | 1000 | ±10% | Y5P | 9 | 5 | 5.0 | 0.55±0.05 | 散件 |
| DCH102K34Y5PP6FJ5C8 | 2KVDC | 1000 | ±10% | Y5P | 9 | 5 | 5.0 | 0.55±0.05 | 编带 |

| | | | | | | | | | |
|---------------------|-------|------|------|-----|-----|---|------|-----------|----|
| DCH102K34Y5PP6FJ5EZ | 2KVDC | 1000 | ±10% | Y5P | 9 | 5 | 5.0 | 0.55±0.05 | 编带 |
| DCH102K34Y5PP6JK0A0 | 2KVDC | 1000 | ±10% | Y5P | 9 | 5 | 10.0 | 0.55±0.05 | 散件 |
| DCH102K34Y5PP6JK7C8 | 2KVDC | 1000 | ±10% | Y5P | 9 | 5 | 7.5 | 0.55±0.05 | 散件 |
| DCH102K34Y5PP6JL7A0 | 2KVDC | 1000 | ±10% | Y5P | 9 | 5 | 7.5 | 0.55±0.05 | 散件 |
| DCH102K34Y5PP6VK7C8 | 2KVDC | 1000 | ±10% | Y5P | 9 | 5 | 7.5 | 0.55±0.05 | 编带 |
| DCH102K34Y5PP6WK0A0 | 2KVDC | 1000 | ±10% | Y5P | 9 | 5 | 10.0 | 0.55±0.05 | 散件 |
| DCH102K34Y5PP6WK5A0 | 2KVDC | 1000 | ±10% | Y5P | 9 | 5 | 5.0 | 0.55±0.05 | 散件 |
| DCH102K34Y5PPBVK7A0 | 2KVDC | 1000 | ±10% | Y5P | 9 | 5 | 7.5 | 0.55±0.05 | 编带 |
| DCH102K34Y5PPEWL7A0 | 2KVDC | 1000 | ±10% | Y5P | 9 | 5 | 7.5 | 0.58Cu 线 | 散件 |
| DCH102K34YR N6FJ5A0 | 1KVDC | 1000 | ±10% | YR | 9 | 4 | 5.0 | 0.55±0.05 | 编带 |
| DCH102K34YR N6FL5AR | 1KVDC | 1000 | ±10% | YR | 9 | 4 | 5.0 | 0.55±0.05 | 编带 |
| DCH102K34YR NEFJ5A0 | 1KVDC | 1000 | ±10% | YR | 9 | 4 | 5.0 | 0.58Cu 线 | 编带 |
| DCH102K34YR NEFL5A0 | 1KVDC | 1000 | ±10% | YR | 9 | 4 | 5.0 | 0.58Cu 线 | 编带 |
| DCH102K36Y5PR6BL0A0 | 3KVDC | 1000 | ±10% | Y5P | 9.8 | 6 | 10.0 | 0.55±0.05 | 散件 |
| DCH102K36Y5PR6BL7A0 | 3KVDC | 1000 | ±10% | Y5P | 9.8 | 6 | 7.5 | 0.55±0.05 | 散件 |
| DCH102K36Y5PR6VK7EE | 3KVDC | 1000 | ±10% | Y5P | 9.8 | 6 | 7.5 | 0.55±0.05 | 编带 |
| DCH102K36Y5PR6WK7EE | 3KVDC | 1000 | ±10% | Y5P | 9.8 | 6 | 7.5 | 0.55±0.05 | 散件 |
| DCH102M22Y5UN6FJ5A0 | 1KVDC | 1000 | ±20% | Y5U | 5.5 | 4 | 5.0 | 0.55±0.05 | 编带 |
| DCH102M22Y5UN6JL5A0 | 1KVDC | 1000 | ±20% | Y5U | 5.5 | 4 | 5.0 | 0.55±0.05 | 散件 |
| DCH102M22Y5UN6WL5A0 | 1KVDC | 1000 | ±20% | Y5U | 5.5 | 4 | 5.0 | 0.55±0.05 | 散件 |
| DCH102M22Y5VN6FJ5A0 | 1KVDC | 1000 | ±20% | Y5V | 5.5 | 4 | 5.0 | 0.55±0.05 | 编带 |
| DCH102M22Y5VN6WL5A0 | 1KVDC | 1000 | ±20% | Y5V | 5.5 | 4 | 5.0 | 0.55±0.05 | 散件 |
| DCH102M26Y5UP6BL5A0 | 2KVDC | 1000 | ±20% | Y5U | 6.8 | 5 | 5.0 | 0.55±0.05 | 散件 |
| DCH102M26Y5UP6FJ5A0 | 2KVDC | 1000 | ±20% | Y5U | 6.8 | 5 | 5.0 | 0.55±0.05 | 编带 |
| DCH102M26Y5UP6WL5A0 | 2KVDC | 1000 | ±20% | Y5U | 6.8 | 5 | 5.0 | 0.55±0.05 | 散件 |

| | | | | | | | | | |
|---------------------|-------|-------|---------|-----|------|---|------|-----------|----|
| DCH102Z26Y5V46BL5A0 | 3KVDC | 1000 | 80%-20% | Y5V | 6.8 | 6 | 5.0 | 0.55±0.05 | 散件 |
| DCH103K46Y5PN6JK7A0 | 1KVDC | 10000 | ±10% | Y5P | 12.3 | 4 | 7.5 | 0.55±0.05 | 散件 |
| DCH103M36Y5V16FJ5A0 | 1KVDC | 10000 | ±20% | Y5V | 9.8 | 4 | 5.0 | 0.55±0.05 | 编带 |
| DCH103M36Y5V16WJ5A0 | 1KVDC | 10000 | ±20% | Y5V | 9.8 | 4 | 5.0 | 0.55±0.05 | 散件 |
| DCH103M36Y5VN63L5A0 | 1KVDC | 10000 | ±20% | Y5V | 9.8 | 4 | 5.0 | 0.55±0.05 | 散件 |
| DCH103M36Y5VN65L7A0 | 1KVDC | 10000 | ±20% | Y5V | 9.8 | 4 | 7.5 | 0.55±0.05 | 散件 |
| DCH103M36Y5VN69L5A0 | 1KVDC | 10000 | ±20% | Y5V | 9.8 | 4 | 5.0 | 0.55±0.05 | 散件 |
| DCH103M36Y5VN6BL5A0 | 1KVDC | 10000 | ±20% | Y5V | 9.8 | 4 | 5.0 | 0.55±0.05 | 散件 |
| DCH103M36Y5VN6BL7A0 | 1KVDC | 10000 | ±20% | Y5V | 9.8 | 4 | 7.5 | 0.55±0.05 | 散件 |
| DCH103M36Y5VN6DL5A0 | 1KVDC | 10000 | ±20% | Y5V | 9.8 | 4 | 5.0 | 0.55±0.05 | 散件 |
| DCH103M36Y5VN6FJ7A0 | 1KVDC | 10000 | ±20% | Y5V | 9.8 | 4 | 7.5 | 0.55±0.05 | 编带 |
| DCH103M36Y5VN6FK5A0 | 1KVDC | 10000 | ±20% | Y5V | 9.8 | 4 | 5.0 | 0.55±0.05 | 编带 |
| DCH103M36Y5VN6FL5A0 | 1KVDC | 10000 | ±20% | Y5V | 9.8 | 4 | 5.0 | 0.55±0.05 | 编带 |
| DCH103M36Y5VN6FL5BU | 1KVDC | 10000 | ±20% | Y5V | 9.8 | 4 | 5.0 | 0.55±0.05 | 编带 |
| DCH103M36Y5VN6VL7A0 | 1KVDC | 10000 | ±20% | Y5V | 9.8 | 4 | 7.5 | 0.55±0.05 | 编带 |
| DCH103M36Y5VN6WL5A0 | 1KVDC | 10000 | ±20% | Y5V | 9.8 | 4 | 5.0 | 0.55±0.05 | 散件 |
| DCH103M36Y5VN6WL7A0 | 1KVDC | 10000 | ±20% | Y5V | 9.8 | 4 | 7.5 | 0.55±0.05 | 散件 |
| DCH103M36Y5VNEFL5A0 | 1KVDC | 10000 | ±20% | Y5V | 9.8 | 4 | 5.0 | 0.58Cu 线 | 编带 |
| DCH103M46Y5UN6VL7A0 | 1KVDC | 10000 | ±20% | Y5U | 12.3 | 4 | 7.5 | 0.55±0.05 | 编带 |
| DCH103M46Y5UN6WP7A0 | 1KVDC | 10000 | ±20% | Y5U | 12.3 | 4 | 7.5 | 0.55±0.05 | 散件 |
| DCH103M46Y5VP68L7A0 | 2KVDC | 10000 | ±20% | Y5V | 12.3 | 5 | 7.5 | 0.55±0.05 | 散件 |
| DCH103M46Y5VP6DL5A0 | 2KVDC | 10000 | ±20% | Y5V | 12.3 | 5 | 5.0 | 0.55±0.05 | 散件 |
| DCH103M56Y5VR6BL0A0 | 3KVDC | 10000 | ±20% | Y5V | 14.7 | 6 | 10.0 | 0.55±0.05 | 散件 |
| DCH103M56Y5VR6BL7A0 | 3KVDC | 10000 | ±20% | Y5V | 14.7 | 6 | 7.5 | 0.55±0.05 | 散件 |
| DCH103M56Y5VR6GL7A0 | 3KVDC | 10000 | ±20% | Y5V | 14.7 | 6 | 7.5 | 0.55±0.05 | 散件 |

| | | | | | | | | | |
|---------------------|-------|-------|---------|-----|------|---|------|-----------|----|
| DCH103M56Y5VR6WL7A0 | 3KVDC | 10000 | ±20% | Y5V | 14.7 | 6 | 7.5 | 0.55±0.05 | 散件 |
| DCH103Z36Y5VN60L0A0 | 1KVDC | 10000 | 80%-20% | Y5V | 9.8 | 4 | 10.0 | 0.55±0.05 | 散件 |
| DCH103Z36Y5VN65L0A0 | 1KVDC | 10000 | 80%-20% | Y5V | 9.8 | 4 | 10.0 | 0.55±0.05 | 散件 |
| DCH103Z36Y5VN6BL0A0 | 1KVDC | 10000 | 80%-20% | Y5V | 9.8 | 4 | 10.0 | 0.55±0.05 | 散件 |
| DCH103Z36Y5VN6DJ7A0 | 1KVDC | 10000 | 80%-20% | Y5V | 9.8 | 4 | 7.5 | 0.55±0.05 | 散件 |
| DCH103Z36Y5VN6FJ5A0 | 1KVDC | 10000 | 80%-20% | Y5V | 9.8 | 4 | 5.0 | 0.55±0.05 | 编带 |
| DCH103Z36Y5VN6FJ5C8 | 1KVDC | 10000 | 80%-20% | Y5V | 9.8 | 4 | 5.0 | 0.55±0.05 | 编带 |
| DCH103Z36Y5VN6VK7A0 | 1KVDC | 10000 | 80%-20% | Y5V | 9.8 | 4 | 7.5 | 0.55±0.05 | 编带 |
| DCH103Z36Y5VN6VK7C8 | 1KVDC | 10000 | 80%-20% | Y5V | 9.8 | 4 | 7.5 | 0.55±0.05 | 编带 |
| DCH103Z36Y5VN6WJ0A0 | 1KVDC | 10000 | 80%-20% | Y5V | 9.8 | 4 | 10.0 | 0.55±0.05 | 散件 |
| DCH103Z46Y5VP65W0A0 | 2KVDC | 10000 | 80%-20% | Y5V | 12.3 | 5 | 10.0 | 0.55±0.05 | 散件 |
| DCH103Z46Y5VP6BL0A0 | 2KVDC | 10000 | 80%-20% | Y5V | 12.3 | 5 | 10.0 | 0.55±0.05 | 散件 |
| DCH103Z46Y5VP6BL7A0 | 2KVDC | 10000 | 80%-20% | Y5V | 12.3 | 5 | 7.5 | 0.55±0.05 | 散件 |
| DCH103Z46Y5VP6CL0A0 | 2KVDC | 10000 | 80%-20% | Y5V | 12.3 | 5 | 10.0 | 0.55±0.05 | 散件 |
| DCH103Z46Y5VP6UL7A0 | 2KVDC | 10000 | 80%-20% | Y5V | 12.3 | 5 | 7.5 | 0.55±0.05 | 编带 |
| DCH103Z56Y5VR6BL0A0 | 3KVDC | 10000 | 80%-20% | Y5V | 14.7 | 6 | 10.0 | 0.55±0.05 | 散件 |
| DCH120K26SL P6FJ5A0 | 2KVDC | 12 | ±10% | SL | 6.8 | 5 | 5.0 | 0.55±0.05 | 编带 |
| DCH121K22Y5PN6FJ5A0 | 1KVDC | 120 | ±10% | Y5P | 5.5 | 4 | 5.0 | 0.55±0.05 | 编带 |
| DCH150K22COHN6FL5A0 | 1KVDC | 15 | ±10% | COH | 5.5 | 4 | 5.0 | 0.55±0.05 | 编带 |
| DCH151K22Y5PN6BL5A0 | 1KVDC | 150 | ±10% | Y5P | 5.5 | 4 | 5.0 | 0.55±0.05 | 散件 |
| DCH151K22Y5PN6FJ5A0 | 1KVDC | 150 | ±10% | Y5P | 5.5 | 4 | 5.0 | 0.55±0.05 | 编带 |
| DCH151K22Y5PN6FL5A0 | 1KVDC | 150 | ±10% | Y5P | 5.5 | 4 | 5.0 | 0.55±0.05 | 编带 |
| DCH151K22Y5PN6WL5A0 | 1KVDC | 150 | ±10% | Y5P | 5.5 | 4 | 5.0 | 0.55±0.05 | 散件 |
| DCH151K26Y5PPEFJ5A0 | 2KVDC | 150 | ±10% | Y5P | 6.8 | 5 | 5.0 | 0.58Cu 线 | 编带 |
| DCH151K26YR P6FJ5C8 | 2KVDC | 150 | ±10% | YR | 6.8 | 5 | 5.0 | 0.55±0.05 | 编带 |

| | | | | | | | | | |
|---------------------|-------|-------|------|-----|------|---|------|-----------|----|
| DCH151K26YR P6FJ5G8 | 2KVDC | 150 | ±10% | YR | 6.8 | 5 | 5.0 | 0.55±0.05 | 编带 |
| DCH152K34Y5P16FJ5A0 | 1KVDC | 1500 | ±10% | Y5P | 9 | 4 | 5.0 | 0.55±0.05 | 编带 |
| DCH152K34Y5PN6FJ5A0 | 1KVDC | 1500 | ±10% | Y5P | 9 | 4 | 5.0 | 0.55±0.05 | 编带 |
| DCH152K34Y5PN6FJ5C8 | 1KVDC | 1500 | ±10% | Y5P | 9 | 4 | 5.0 | 0.55±0.05 | 编带 |
| DCH152K34Y5PN6FP5A0 | 1KVDC | 1500 | ±10% | Y5P | 9 | 4 | 5.0 | 0.55±0.05 | 编带 |
| DCH152K34Y5PN6WL5A0 | 1KVDC | 1500 | ±10% | Y5P | 9 | 4 | 5.0 | 0.55±0.05 | 散件 |
| DCH152K46Y5PR6BL0A0 | 3KVDC | 1500 | ±10% | Y5P | 12.3 | 6 | 10.0 | 0.55±0.05 | 散件 |
| DCH182K34Y5PN6FJ5A0 | 1KVDC | 1800 | ±10% | Y5P | 9 | 4 | 5.0 | 0.55±0.05 | 编带 |
| DCH203M69Y5VP6UL0A0 | 2KVDC | 20000 | ±20% | Y5V | 18 | 5 | 10.0 | 0.55±0.05 | 编带 |
| DCH220K22COH16FJ5A0 | 1KVDC | 22 | ±10% | COH | 5.5 | 4 | 5.0 | 0.55±0.05 | 编带 |
| DCH220K22SL N60L5C8 | 1KVDC | 22 | ±10% | SL | 5.5 | 4 | 5.0 | 0.55±0.05 | 散件 |
| DCH220K22SL N6FJ5A0 | 1KVDC | 22 | ±10% | SL | 5.5 | 4 | 5.0 | 0.55±0.05 | 编带 |
| DCH220K22SL N6FJ5C8 | 1KVDC | 22 | ±10% | SL | 5.5 | 4 | 5.0 | 0.55±0.05 | 编带 |
| DCH220K22SL N6JL5A0 | 1KVDC | 22 | ±10% | SL | 5.5 | 4 | 5.0 | 0.55±0.05 | 散件 |
| DCH220K22SL N6WJ7A0 | 1KVDC | 22 | ±10% | SL | 5.5 | 4 | 7.5 | 0.55±0.05 | 散件 |
| DCH220K22SL NEVJ7A0 | 1KVDC | 22 | ±10% | SL | 5.5 | 4 | 7.5 | 0.58Cu 线 | 编带 |
| DCH220K22SL P6FJ5A0 | 2KVDC | 22 | ±10% | SL | 5.5 | 5 | 5.0 | 0.55±0.05 | 编带 |
| DCH220K22SL PEFL5A0 | 2KVDC | 22 | ±10% | SL | 5.5 | 5 | 5.0 | 0.58Cu 线 | 编带 |
| DCH220K22YR N6FH5GD | 1KVDC | 22 | ±10% | YR | 5.5 | 4 | 5.0 | 0.55±0.05 | 编带 |
| DCH220K22YR N6FJ5C8 | 1KVDC | 22 | ±10% | YR | 5.5 | 4 | 5.0 | 0.55±0.05 | 编带 |
| DCH221J34SL N6BL5A0 | 1KVDC | 220 | ±5% | SL | 9 | 4 | 5.0 | 0.55±0.05 | 散件 |
| DCH221J43SL P6FJ5A0 | 2KVDC | 220 | ±5% | SL | 11.5 | 5 | 5.0 | 0.55±0.05 | 编带 |
| DCH221K22X7R16FL5A0 | 1KVDC | 220 | ±10% | X7R | 5.5 | 4 | 5.0 | 0.55±0.05 | 编带 |
| DCH221K22Y5P16FJ5A0 | 1KVDC | 220 | ±10% | Y5P | 5.5 | 4 | 5.0 | 0.55±0.05 | 编带 |
| DCH221K22Y5PN60L5C8 | 1KVDC | 220 | ±10% | Y5P | 5.5 | 4 | 5.0 | 0.55±0.05 | 散件 |

| | | | | | | | | | |
|---------------------|-------|-----|------|-----|-----|---|------|-----------|----|
| DCH221K22Y5PN6BL5A0 | 1KVDC | 220 | ±10% | Y5P | 5.5 | 4 | 5.0 | 0.55±0.05 | 散件 |
| DCH221K22Y5PN6DL5A0 | 1KVDC | 220 | ±10% | Y5P | 5.5 | 4 | 5.0 | 0.55±0.05 | 散件 |
| DCH221K22Y5PN6FJ5C8 | 1KVDC | 220 | ±10% | Y5P | 5.5 | 4 | 5.0 | 0.55±0.05 | 编带 |
| DCH221K22Y5PN6FK5A0 | 1KVDC | 220 | ±10% | Y5P | 5.5 | 4 | 5.0 | 0.55±0.05 | 编带 |
| DCH221K22Y5PN6FL5A0 | 1KVDC | 220 | ±10% | Y5P | 5.5 | 4 | 5.0 | 0.55±0.05 | 编带 |
| DCH221K22Y5PN6FL5BU | 1KVDC | 220 | ±10% | Y5P | 5.5 | 4 | 5.0 | 0.55±0.05 | 编带 |
| DCH221K22Y5PN6FL7BU | 1KVDC | 220 | ±10% | Y5P | 5.5 | 4 | 7.5 | 0.55±0.05 | 编带 |
| DCH221K22Y5PN6JL5A0 | 1KVDC | 220 | ±10% | Y5P | 5.5 | 4 | 5.0 | 0.55±0.05 | 散件 |
| DCH221K22Y5PN6WJ5A0 | 1KVDC | 220 | ±10% | Y5P | 5.5 | 4 | 5.0 | 0.55±0.05 | 散件 |
| DCH221K22Y5PN6WP5A0 | 1KVDC | 220 | ±10% | Y5P | 5.5 | 4 | 5.0 | 0.55±0.05 | 散件 |
| DCH221K22Y5PNEFJ5A0 | 1KVDC | 220 | ±10% | Y5P | 5.5 | 4 | 5.0 | 0.58Cu 线 | 编带 |
| DCH221K22YP N6FL5A0 | 1KVDC | 220 | ±10% | YP | 5.5 | 4 | 5.0 | 0.55±0.05 | 编带 |
| DCH221K22YR N6DL5A0 | 1KVDC | 220 | ±10% | YR | 5.5 | 4 | 5.0 | 0.55±0.05 | 散件 |
| DCH221K22YR N6FH5GD | 1KVDC | 220 | ±10% | YR | 5.5 | 4 | 5.0 | 0.55±0.05 | 编带 |
| DCH221K22YR N6FJ5A0 | 1KVDC | 220 | ±10% | YR | 5.5 | 4 | 5.0 | 0.55±0.05 | 编带 |
| DCH221K22YR N6FJ5C8 | 1KVDC | 220 | ±10% | YR | 5.5 | 4 | 5.0 | 0.55±0.05 | 编带 |
| DCH221K22YR N6FJ5G8 | 1KVDC | 220 | ±10% | YR | 5.5 | 4 | 5.0 | 0.55±0.05 | 编带 |
| DCH221K22YR N6FK5C8 | 1KVDC | 220 | ±10% | YR | 5.5 | 4 | 5.0 | 0.55±0.05 | 编带 |
| DCH221K22YR N6FK5G8 | 1KVDC | 220 | ±10% | YR | 5.5 | 4 | 5.0 | 0.55±0.05 | 编带 |
| DCH221K22YR N6FL5A0 | 1KVDC | 220 | ±10% | YR | 5.5 | 4 | 5.0 | 0.55±0.05 | 编带 |
| DCH221K26Y5PP6BL5A0 | 2KVDC | 220 | ±10% | Y5P | 6.8 | 5 | 5.0 | 0.55±0.05 | 散件 |
| DCH221K26Y5PR6JK0C8 | 3KVDC | 220 | ±10% | Y5P | 6.8 | 6 | 10.0 | 0.55±0.05 | 散件 |
| DCH221K26Y5PR6VK7A0 | 3KVDC | 220 | ±10% | Y5P | 6.8 | 6 | 7.5 | 0.55±0.05 | 编带 |
| DCH221K26Y5PR6VK7C8 | 3KVDC | 220 | ±10% | Y5P | 6.8 | 6 | 7.5 | 0.55±0.05 | 编带 |
| DCH221K26YP P6FJ5CX | 2KVDC | 220 | ±10% | YP | 6.8 | 5 | 5.0 | 0.55±0.05 | 编带 |

| | | | | | | | | | |
|---------------------|-------|------|------|-----|-----|---|-----|-----------|----|
| DCH221K26YP P6FJ5EZ | 2KVDC | 220 | ±10% | YP | 6.8 | 5 | 5.0 | 0.55±0.05 | 编带 |
| DCH221K26YR P6BL5A0 | 2KVDC | 220 | ±10% | YR | 6.8 | 5 | 5.0 | 0.55±0.05 | 散件 |
| DCH221K26YR P6FH5GD | 2KVDC | 220 | ±10% | YR | 6.8 | 5 | 5.0 | 0.55±0.05 | 编带 |
| DCH221K26YR P6FJ5A0 | 2KVDC | 220 | ±10% | YR | 6.8 | 5 | 5.0 | 0.55±0.05 | 编带 |
| DCH221K26YR P6FJ5C8 | 2KVDC | 220 | ±10% | YR | 6.8 | 5 | 5.0 | 0.55±0.05 | 编带 |
| DCH221K26YR P6FJ5G8 | 2KVDC | 220 | ±10% | YR | 6.8 | 5 | 5.0 | 0.55±0.05 | 编带 |
| DCH221K26YR P6FL5A0 | 2KVDC | 220 | ±10% | YR | 6.8 | 5 | 5.0 | 0.55±0.05 | 编带 |
| DCH221M22Y5UN6FJ5A0 | 1KVDC | 220 | ±20% | Y5U | 5.5 | 4 | 5.0 | 0.55±0.05 | 编带 |
| DCH222K36X7RN6FJ5B8 | 1KVDC | 2200 | ±10% | X7R | 9.8 | 4 | 5.0 | 0.55±0.05 | 编带 |
| DCH222K36Y5P15FJ5A0 | 1KVDC | 2200 | ±10% | Y5P | 9.8 | 4 | 5.0 | 0.48±0.05 | 编带 |
| DCH222K36Y5P163L5A0 | 1KVDC | 2200 | ±10% | Y5P | 9.8 | 4 | 5.0 | 0.55±0.05 | 散件 |
| DCH222K36Y5P16FJ5A0 | 1KVDC | 2200 | ±10% | Y5P | 9.8 | 4 | 5.0 | 0.55±0.05 | 编带 |
| DCH222K36Y5P16WJ5A0 | 1KVDC | 2200 | ±10% | Y5P | 9.8 | 4 | 5.0 | 0.55±0.05 | 散件 |
| DCH222K36Y5PN60L5C8 | 1KVDC | 2200 | ±10% | Y5P | 9.8 | 4 | 5.0 | 0.55±0.05 | 散件 |
| DCH222K36Y5PN6BL5A0 | 1KVDC | 2200 | ±10% | Y5P | 9.8 | 4 | 5.0 | 0.55±0.05 | 散件 |
| DCH222K36Y5PN6BL7A0 | 1KVDC | 2200 | ±10% | Y5P | 9.8 | 4 | 7.5 | 0.55±0.05 | 散件 |
| DCH222K36Y5PN6FJ5A0 | 1KVDC | 2200 | ±10% | Y5P | 9.8 | 4 | 5.0 | 0.55±0.05 | 编带 |
| DCH222K36Y5PN6FJ5BU | 1KVDC | 2200 | ±10% | Y5P | 9.8 | 4 | 5.0 | 0.55±0.05 | 编带 |
| DCH222K36Y5PN6FJ5C8 | 1KVDC | 2200 | ±10% | Y5P | 9.8 | 4 | 5.0 | 0.55±0.05 | 编带 |
| DCH222K36Y5PN6FJ7A0 | 1KVDC | 2200 | ±10% | Y5P | 9.8 | 4 | 7.5 | 0.55±0.05 | 编带 |
| DCH222K36Y5PN6FK5A0 | 1KVDC | 2200 | ±10% | Y5P | 9.8 | 4 | 5.0 | 0.55±0.05 | 编带 |
| DCH222K36Y5PN6FL5A0 | 1KVDC | 2200 | ±10% | Y5P | 9.8 | 4 | 5.0 | 0.55±0.05 | 编带 |
| DCH222K36Y5PN6FL5BU | 1KVDC | 2200 | ±10% | Y5P | 9.8 | 4 | 5.0 | 0.55±0.05 | 编带 |
| DCH222K36Y5PN6FL5C8 | 1KVDC | 2200 | ±10% | Y5P | 9.8 | 4 | 5.0 | 0.55±0.05 | 编带 |
| DCH222K36Y5PN6JL5A0 | 1KVDC | 2200 | ±10% | Y5P | 9.8 | 4 | 5.0 | 0.55±0.05 | 散件 |

| | | | | | | | | | |
|---------------------|-------|------|------|-----|------|---|------|-----------|----|
| DCH222K36Y5PN6VK7C8 | 1KVDC | 2200 | ±10% | Y5P | 9.8 | 4 | 7.5 | 0.55±0.05 | 编带 |
| DCH222K36Y5PN6VL7A0 | 1KVDC | 2200 | ±10% | Y5P | 9.8 | 4 | 7.5 | 0.55±0.05 | 编带 |
| DCH222K36Y5PN6WK5A0 | 1KVDC | 2200 | ±10% | Y5P | 9.8 | 4 | 5.0 | 0.55±0.05 | 散件 |
| DCH222K36Y5PN6WL5A0 | 1KVDC | 2200 | ±10% | Y5P | 9.8 | 4 | 5.0 | 0.55±0.05 | 散件 |
| DCH222K36Y5PN6WL7A0 | 1KVDC | 2200 | ±10% | Y5P | 9.8 | 4 | 7.5 | 0.55±0.05 | 散件 |
| DCH222K36Y5PN6WP5A0 | 1KVDC | 2200 | ±10% | Y5P | 9.8 | 4 | 5.0 | 0.55±0.05 | 散件 |
| DCH222K36Y5PNBVK7A0 | 1KVDC | 2200 | ±10% | Y5P | 9.8 | 4 | 7.5 | 0.55±0.05 | 编带 |
| DCH222K36Y5PNE8L5A0 | 1KVDC | 2200 | ±10% | Y5P | 9.8 | 4 | 5.0 | 0.58Cu 线 | 散件 |
| DCH222K36Y5PNEFJ5A0 | 1KVDC | 2200 | ±10% | Y5P | 9.8 | 4 | 5.0 | 0.58Cu 线 | 编带 |
| DCH222K36Y5PNEFL5A0 | 1KVDC | 2200 | ±10% | Y5P | 9.8 | 4 | 5.0 | 0.58Cu 线 | 编带 |
| DCH222K36Y5PNEWL7A0 | 1KVDC | 2200 | ±10% | Y5P | 9.8 | 4 | 7.5 | 0.58Cu 线 | 散件 |
| DCH222K46X7RN6FL5A0 | 1KVDC | 2200 | ±10% | X7R | 12.3 | 4 | 5.0 | 0.55±0.05 | 编带 |
| DCH222K46Y5PP6BL0A0 | 2KVDC | 2200 | ±10% | Y5P | 12.3 | 5 | 10.0 | 0.55±0.05 | 散件 |
| DCH222K46Y5PP6BL5A0 | 2KVDC | 2200 | ±10% | Y5P | 12.3 | 5 | 5.0 | 0.55±0.05 | 散件 |
| DCH222K46Y5PP6BL7A0 | 2KVDC | 2200 | ±10% | Y5P | 12.3 | 5 | 7.5 | 0.55±0.05 | 散件 |
| DCH222K46YR N6FJ5C8 | 1KVDC | 2200 | ±10% | YR | 12.3 | 4 | 5.0 | 0.55±0.05 | 编带 |
| DCH222K46YR N6VK7A0 | 1KVDC | 2200 | ±10% | YR | 12.3 | 4 | 7.5 | 0.55±0.05 | 编带 |
| DCH222K46YR N6WL7A0 | 1KVDC | 2200 | ±10% | YR | 12.3 | 4 | 7.5 | 0.55±0.05 | 散件 |
| DCH222K46YR NEFJ5A0 | 1KVDC | 2200 | ±10% | YR | 12.3 | 4 | 5.0 | 0.58Cu 线 | 编带 |
| DCH222K46YR NEVJ7A0 | 1KVDC | 2200 | ±10% | YR | 12.3 | 4 | 7.5 | 0.58Cu 线 | 编带 |
| DCH222K46YR NEWJ7A0 | 1KVDC | 2200 | ±10% | YR | 12.3 | 4 | 7.5 | 0.58Cu 线 | 散件 |
| DCH222K46YR NEWL7A0 | 1KVDC | 2200 | ±10% | YR | 12.3 | 4 | 7.5 | 0.58Cu 线 | 散件 |
| DCH222M22Y5VN6FJ5A0 | 1KVDC | 2200 | ±20% | Y5V | 5.5 | 4 | 5.0 | 0.55±0.05 | 编带 |
| DCH222M22Y5VN6FJ5BU | 1KVDC | 2200 | ±20% | Y5V | 5.5 | 4 | 5.0 | 0.55±0.05 | 编带 |
| DCH222M22Y5VN6WL5A0 | 1KVDC | 2200 | ±20% | Y5V | 5.5 | 4 | 5.0 | 0.55±0.05 | 散件 |

| | | | | | | | | | |
|---------------------|-------|-------|---------|-----|------|---|------|-----------|----|
| DCH222M30Y5UN65L5A0 | 1KVDC | 2200 | ±20% | Y5U | 7.8 | 4 | 5.0 | 0.55±0.05 | 散件 |
| DCH222M30Y5UN6BL5A0 | 1KVDC | 2200 | ±20% | Y5U | 7.8 | 4 | 5.0 | 0.55±0.05 | 散件 |
| DCH222M30Y5UN6BL7A0 | 1KVDC | 2200 | ±20% | Y5U | 7.8 | 4 | 7.5 | 0.55±0.05 | 散件 |
| DCH222M30Y5UN6CW7A0 | 1KVDC | 2200 | ±20% | Y5U | 7.8 | 4 | 7.5 | 0.55±0.05 | 散件 |
| DCH222M30Y5UN6DL5A0 | 1KVDC | 2200 | ±20% | Y5U | 7.8 | 4 | 5.0 | 0.55±0.05 | 散件 |
| DCH222M30Y5UN6FJ5A0 | 1KVDC | 2200 | ±20% | Y5U | 7.8 | 4 | 5.0 | 0.55±0.05 | 编带 |
| DCH222M30Y5UN6VJ7A0 | 1KVDC | 2200 | ±20% | Y5U | 7.8 | 4 | 7.5 | 0.55±0.05 | 编带 |
| DCH222M30Y5UN6WL5A0 | 1KVDC | 2200 | ±20% | Y5U | 7.8 | 4 | 5.0 | 0.55±0.05 | 散件 |
| DCH222M36Y5UR6BK7A0 | 3KVDC | 2200 | ±20% | Y5U | 9.8 | 6 | 7.5 | 0.55±0.05 | 散件 |
| DCH222M36Y5UR6BL7A0 | 3KVDC | 2200 | ±20% | Y5U | 9.8 | 6 | 7.5 | 0.55±0.05 | 散件 |
| DCH222M36Y5UR6JK7A0 | 3KVDC | 2200 | ±20% | Y5U | 9.8 | 6 | 7.5 | 0.55±0.05 | 散件 |
| DCH222M36Y5UR6VK7A0 | 3KVDC | 2200 | ±20% | Y5U | 9.8 | 6 | 7.5 | 0.55±0.05 | 编带 |
| DCH222M36Y5UREVL7A0 | 3KVDC | 2200 | ±20% | Y5U | 9.8 | 6 | 7.5 | 0.58Cu 线 | 编带 |
| DCH222Z30Y5VP6BL5A0 | 2KVDC | 2200 | 80%-20% | Y5V | 7.8 | 5 | 5.0 | 0.55±0.05 | 散件 |
| DCH223M56Y5VN6UJ7A0 | 1KVDC | 22000 | ±20% | Y5V | 14.7 | 4 | 7.5 | 0.55±0.05 | 编带 |
| DCH223M56Y5VN6UL7A0 | 1KVDC | 22000 | ±20% | Y5V | 14.7 | 4 | 7.5 | 0.55±0.05 | 编带 |
| DCH223M56Y5VN6WL7A0 | 1KVDC | 22000 | ±20% | Y5V | 14.7 | 4 | 7.5 | 0.55±0.05 | 散件 |
| DCH223M56Y5VN6WP7A0 | 1KVDC | 22000 | ±20% | Y5V | 14.7 | 4 | 7.5 | 0.55±0.05 | 散件 |
| DCH223Z56Y5VN6BL0A0 | 1KVDC | 22000 | 80%-20% | Y5V | 14.7 | 4 | 10.0 | 0.55±0.05 | 散件 |
| DCH330K22SL N6FJ5A0 | 1KVDC | 33 | ±10% | SL | 5.5 | 4 | 5.0 | 0.55±0.05 | 编带 |
| DCH330K22SL N6FK5G8 | 1KVDC | 33 | ±10% | SL | 5.5 | 4 | 5.0 | 0.55±0.05 | 编带 |
| DCH330K22SL N6FL5A0 | 1KVDC | 33 | ±10% | SL | 5.5 | 4 | 5.0 | 0.55±0.05 | 编带 |
| DCH330K22SL N6FL5BU | 1KVDC | 33 | ±10% | SL | 5.5 | 4 | 5.0 | 0.55±0.05 | 编带 |
| DCH330K22SL NEFJ5A0 | 1KVDC | 33 | ±10% | SL | 5.5 | 4 | 5.0 | 0.58Cu 线 | 编带 |
| DCH330K22SL P6FJ5G8 | 2KVDC | 33 | ±10% | SL | 5.5 | 5 | 5.0 | 0.55±0.05 | 编带 |

| | | | | | | | | | |
|---------------------|-------|------|---------|-----|------|---|------|-----------|----|
| DCH330K22YR N6FJ5G8 | 1KVDC | 33 | ±10% | YR | 5.5 | 4 | 5.0 | 0.55±0.05 | 编带 |
| DCH330K22YR P6FJ5C8 | 2KVDC | 33 | ±10% | YR | 5.5 | 5 | 5.0 | 0.55±0.05 | 编带 |
| DCH330K26SL R6VK7C8 | 3KVDC | 33 | ±10% | SL | 6.8 | 6 | 7.5 | 0.55±0.05 | 编带 |
| DCH331K22Y5PN60L5C8 | 1KVDC | 330 | ±10% | Y5P | 5.5 | 4 | 5.0 | 0.55±0.05 | 散件 |
| DCH331K22Y5PN6BL5A0 | 1KVDC | 330 | ±10% | Y5P | 5.5 | 4 | 5.0 | 0.55±0.05 | 散件 |
| DCH331K22Y5PN6FK5C8 | 1KVDC | 330 | ±10% | Y5P | 5.5 | 4 | 5.0 | 0.55±0.05 | 编带 |
| DCH331K22Y5PN6FL5A0 | 1KVDC | 330 | ±10% | Y5P | 5.5 | 4 | 5.0 | 0.55±0.05 | 编带 |
| DCH331K22YR N6FH5GD | 1KVDC | 330 | ±10% | YR | 5.5 | 4 | 5.0 | 0.55±0.05 | 编带 |
| DCH331K22YR N6FJ5G8 | 1KVDC | 330 | ±10% | YR | 5.5 | 4 | 5.0 | 0.55±0.05 | 编带 |
| DCH331K22YR N6FK5G8 | 1KVDC | 330 | ±10% | YR | 5.5 | 4 | 5.0 | 0.55±0.05 | 编带 |
| DCH331K26Y5PP6FK5A0 | 2KVDC | 330 | ±10% | Y5P | 6.8 | 5 | 5.0 | 0.55±0.05 | 编带 |
| DCH331K26Y5PP6VK7C8 | 2KVDC | 330 | ±10% | Y5P | 6.8 | 5 | 7.5 | 0.55±0.05 | 编带 |
| DCH331K26Y5PR6VK7A0 | 3KVDC | 330 | ±10% | Y5P | 6.8 | 6 | 7.5 | 0.55±0.05 | 编带 |
| DCH331K26Y5PR6VK7C8 | 3KVDC | 330 | ±10% | Y5P | 6.8 | 6 | 7.5 | 0.55±0.05 | 编带 |
| DCH331K30YR P6FJ5C8 | 2KVDC | 330 | ±10% | YR | 7.8 | 5 | 5.0 | 0.55±0.05 | 编带 |
| DCH332K46Y5PN6BL0A0 | 1KVDC | 3300 | ±10% | Y5P | 12.3 | 4 | 10.0 | 0.55±0.05 | 散件 |
| DCH332K46Y5PN6BL5A0 | 1KVDC | 3300 | ±10% | Y5P | 12.3 | 4 | 5.0 | 0.55±0.05 | 散件 |
| DCH332K53Y5PP65L0A0 | 2KVDC | 3300 | ±10% | Y5P | 14 | 5 | 10.0 | 0.55±0.05 | 散件 |
| DCH332K53Y5PP6BL0A0 | 2KVDC | 3300 | ±10% | Y5P | 14 | 5 | 10.0 | 0.55±0.05 | 散件 |
| DCH332Z26Y5VN6BL5A0 | 1KVDC | 3300 | 80%-20% | Y5V | 6.8 | 4 | 5.0 | 0.55±0.05 | 散件 |
| DCH332Z26Y5VN6FJ5A0 | 1KVDC | 3300 | 80%-20% | Y5V | 6.8 | 4 | 5.0 | 0.55±0.05 | 编带 |
| DCH332Z26Y5VN6FJ5EE | 1KVDC | 3300 | 80%-20% | Y5V | 6.8 | 4 | 5.0 | 0.55±0.05 | 编带 |
| DCH470J22SL N6FJ5A0 | 1KVDC | 47 | ±5% | SL | 5.5 | 4 | 5.0 | 0.55±0.05 | 编带 |
| DCH470J22SL N6FK5G8 | 1KVDC | 47 | ±5% | SL | 5.5 | 4 | 5.0 | 0.55±0.05 | 编带 |
| DCH470J22SL N6FL5A0 | 1KVDC | 47 | ±5% | SL | 5.5 | 4 | 5.0 | 0.55±0.05 | 编带 |

| | | | | | | | | | |
|---------------------|-------|-----|------|-----|-----|---|-----|-----------|----|
| DCH470J22SL N6FP5A0 | 1KVDC | 47 | ±5% | SL | 5.5 | 4 | 5.0 | 0.55±0.05 | 编带 |
| DCH470K22SL N6BL5A0 | 1KVDC | 47 | ±10% | SL | 5.5 | 4 | 5.0 | 0.55±0.05 | 散件 |
| DCH470K22SL N6FJ5A0 | 1KVDC | 47 | ±10% | SL | 5.5 | 4 | 5.0 | 0.55±0.05 | 编带 |
| DCH470K22SL N6FJ5C8 | 1KVDC | 47 | ±10% | SL | 5.5 | 4 | 5.0 | 0.55±0.05 | 编带 |
| DCH470K22SL N6FL5A0 | 1KVDC | 47 | ±10% | SL | 5.5 | 4 | 5.0 | 0.55±0.05 | 编带 |
| DCH470K22SL N6WJ5A0 | 1KVDC | 47 | ±10% | SL | 5.5 | 4 | 5.0 | 0.55±0.05 | 散件 |
| DCH470K22SL N6WL5A0 | 1KVDC | 47 | ±10% | SL | 5.5 | 4 | 5.0 | 0.55±0.05 | 散件 |
| DCH470K22SL NEFL5A0 | 1KVDC | 47 | ±10% | SL | 5.5 | 4 | 5.0 | 0.58Cu 线 | 编带 |
| DCH470K22Y5P16FJ5A0 | 1KVDC | 47 | ±10% | Y5P | 5.5 | 4 | 5.0 | 0.55±0.05 | 编带 |
| DCH470K22Y5PN6FJ5EZ | 1KVDC | 47 | ±10% | Y5P | 5.5 | 4 | 5.0 | 0.55±0.05 | 编带 |
| DCH470K22YR N6FH5GD | 1KVDC | 47 | ±10% | YR | 5.5 | 4 | 5.0 | 0.55±0.05 | 编带 |
| DCH470K22YR N6FJ5C8 | 1KVDC | 47 | ±10% | YR | 5.5 | 4 | 5.0 | 0.55±0.05 | 编带 |
| DCH470K22YR N6FJ5G8 | 1KVDC | 47 | ±10% | YR | 5.5 | 4 | 5.0 | 0.55±0.05 | 编带 |
| DCH470K22YR P6FH5GD | 2KVDC | 47 | ±10% | YR | 5.5 | 5 | 5.0 | 0.55±0.05 | 编带 |
| DCH470K22YR P6FJ5EE | 2KVDC | 47 | ±10% | YR | 5.5 | 5 | 5.0 | 0.55±0.05 | 编带 |
| DCH470K22YR P6FJ5G8 | 2KVDC | 47 | ±10% | YR | 5.5 | 5 | 5.0 | 0.55±0.05 | 编带 |
| DCH470K22YR P6FL5A0 | 2KVDC | 47 | ±10% | YR | 5.5 | 5 | 5.0 | 0.55±0.05 | 编带 |
| DCH470K26Y5PP6FJ5A0 | 2KVDC | 47 | ±10% | Y5P | 6.8 | 5 | 5.0 | 0.55±0.05 | 编带 |
| DCH470K30SL R6WL7A0 | 3KVDC | 47 | ±10% | SL | 7.8 | 6 | 7.5 | 0.55±0.05 | 散件 |
| DCH471K22Y5P16FJ5A0 | 1KVDC | 470 | ±10% | Y5P | 5.5 | 4 | 5.0 | 0.55±0.05 | 编带 |
| DCH471K22Y5P16FJ5DB | 1KVDC | 470 | ±10% | Y5P | 5.5 | 4 | 5.0 | 0.55±0.05 | 编带 |
| DCH471K22Y5PN60L5C8 | 1KVDC | 470 | ±10% | Y5P | 5.5 | 4 | 5.0 | 0.55±0.05 | 散件 |
| DCH471K22Y5PN6BL5A0 | 1KVDC | 470 | ±10% | Y5P | 5.5 | 4 | 5.0 | 0.55±0.05 | 散件 |
| DCH471K22Y5PN6CL5A0 | 1KVDC | 470 | ±10% | Y5P | 5.5 | 4 | 5.0 | 0.55±0.05 | 散件 |
| DCH471K22Y5PN6DL5A0 | 1KVDC | 470 | ±10% | Y5P | 5.5 | 4 | 5.0 | 0.55±0.05 | 散件 |

| | | | | | | | | | |
|---------------------|-------|-----|------|-----|-----|---|-----|-----------|----|
| DCH471K22Y5PN6FJ5BU | 1KVDC | 470 | ±10% | Y5P | 5.5 | 4 | 5.0 | 0.55±0.05 | 编带 |
| DCH471K22Y5PN6FJ5C8 | 1KVDC | 470 | ±10% | Y5P | 5.5 | 4 | 5.0 | 0.55±0.05 | 编带 |
| DCH471K22Y5PN6FJ5EZ | 1KVDC | 470 | ±10% | Y5P | 5.5 | 4 | 5.0 | 0.55±0.05 | 编带 |
| DCH471K22Y5PN6FL5A0 | 1KVDC | 470 | ±10% | Y5P | 5.5 | 4 | 5.0 | 0.55±0.05 | 编带 |
| DCH471K22Y5PN6FL5BU | 1KVDC | 470 | ±10% | Y5P | 5.5 | 4 | 5.0 | 0.55±0.05 | 编带 |
| DCH471K22Y5PN6VK7A0 | 1KVDC | 470 | ±10% | Y5P | 5.5 | 4 | 7.5 | 0.55±0.05 | 编带 |
| DCH471K22Y5PN6WK5A0 | 1KVDC | 470 | ±10% | Y5P | 5.5 | 4 | 5.0 | 0.55±0.05 | 散件 |
| DCH471K22Y5PN6WK7A0 | 1KVDC | 470 | ±10% | Y5P | 5.5 | 4 | 7.5 | 0.55±0.05 | 散件 |
| DCH471K22Y5PN6WL5A0 | 1KVDC | 470 | ±10% | Y5P | 5.5 | 4 | 5.0 | 0.55±0.05 | 散件 |
| DCH471K22Y5PNBFJ5A0 | 1KVDC | 470 | ±10% | Y5P | 5.5 | 4 | 5.0 | 0.55±0.05 | 编带 |
| DCH471K22Y5PNEFJ5A0 | 1KVDC | 470 | ±10% | Y5P | 5.5 | 4 | 5.0 | 0.58Cu 线 | 编带 |
| DCH471K22Y5PNEVJ7A0 | 1KVDC | 470 | ±10% | Y5P | 5.5 | 4 | 7.5 | 0.58Cu 线 | 编带 |
| DCH471K22YP N6FJ5EZ | 1KVDC | 470 | ±10% | YP | 5.5 | 4 | 5.0 | 0.55±0.05 | 编带 |
| DCH471K22YP N6FL5A0 | 1KVDC | 470 | ±10% | YP | 5.5 | 4 | 5.0 | 0.55±0.05 | 编带 |
| DCH471K26Y5PP60L5C8 | 2KVDC | 470 | ±10% | Y5P | 6.8 | 5 | 5.0 | 0.55±0.05 | 散件 |
| DCH471K26Y5PP60L7C8 | 2KVDC | 470 | ±10% | Y5P | 6.8 | 5 | 7.5 | 0.55±0.05 | 散件 |
| DCH471K26Y5PP6DK5A0 | 2KVDC | 470 | ±10% | Y5P | 6.8 | 5 | 5.0 | 0.55±0.05 | 散件 |
| DCH471K26Y5PP6FJ5A0 | 2KVDC | 470 | ±10% | Y5P | 6.8 | 5 | 5.0 | 0.55±0.05 | 编带 |
| DCH471K26Y5PP6FJ5C8 | 2KVDC | 470 | ±10% | Y5P | 6.8 | 5 | 5.0 | 0.55±0.05 | 编带 |
| DCH471K26Y5PP6FJ7A0 | 2KVDC | 470 | ±10% | Y5P | 6.8 | 5 | 7.5 | 0.55±0.05 | 编带 |
| DCH471K26Y5PP6JL5A0 | 2KVDC | 470 | ±10% | Y5P | 6.8 | 5 | 5.0 | 0.55±0.05 | 散件 |
| DCH471K26Y5PP6VK7C8 | 2KVDC | 470 | ±10% | Y5P | 6.8 | 5 | 7.5 | 0.55±0.05 | 编带 |
| DCH471K26Y5PP6WJ5A0 | 2KVDC | 470 | ±10% | Y5P | 6.8 | 5 | 5.0 | 0.55±0.05 | 散件 |
| DCH471K26YR N6BL5A0 | 1KVDC | 470 | ±10% | YR | 6.8 | 4 | 5.0 | 0.55±0.05 | 散件 |
| DCH471K26YR N6DK5A0 | 1KVDC | 470 | ±10% | YR | 6.8 | 4 | 5.0 | 0.55±0.05 | 散件 |

| | | | | | | | | | |
|---------------------|-------|------|------|-----|-----|---|------|-----------|----|
| DCH471K26YR N6DL5A0 | 1KVDC | 470 | ±10% | YR | 6.8 | 4 | 5.0 | 0.55±0.05 | 散件 |
| DCH471K26YR N6FH5GD | 1KVDC | 470 | ±10% | YR | 6.8 | 4 | 5.0 | 0.55±0.05 | 编带 |
| DCH471K26YR N6FJ5A0 | 1KVDC | 470 | ±10% | YR | 6.8 | 4 | 5.0 | 0.55±0.05 | 编带 |
| DCH471K26YR N6FJ5C8 | 1KVDC | 470 | ±10% | YR | 6.8 | 4 | 5.0 | 0.55±0.05 | 编带 |
| DCH471K26YR N6FJ5G8 | 1KVDC | 470 | ±10% | YR | 6.8 | 4 | 5.0 | 0.55±0.05 | 编带 |
| DCH471K26YR N6FK5G8 | 1KVDC | 470 | ±10% | YR | 6.8 | 4 | 5.0 | 0.55±0.05 | 编带 |
| DCH471K26YR N6FL5A0 | 1KVDC | 470 | ±10% | YR | 6.8 | 4 | 5.0 | 0.55±0.05 | 编带 |
| DCH471K26YR N6WL5A0 | 1KVDC | 470 | ±10% | YR | 6.8 | 4 | 5.0 | 0.55±0.05 | 散件 |
| DCH471K26YR NEFJ5A0 | 1KVDC | 470 | ±10% | YR | 6.8 | 4 | 5.0 | 0.58Cu 线 | 编带 |
| DCH471K26YR NEFL5A0 | 1KVDC | 470 | ±10% | YR | 6.8 | 4 | 5.0 | 0.58Cu 线 | 编带 |
| DCH471K30Y5PR6BL5A0 | 3KVDC | 470 | ±10% | Y5P | 7.8 | 6 | 5.0 | 0.55±0.05 | 散件 |
| DCH471K30Y5PR6FK5A0 | 3KVDC | 470 | ±10% | Y5P | 7.8 | 6 | 5.0 | 0.55±0.05 | 编带 |
| DCH471K30Y5PR6VK7A0 | 3KVDC | 470 | ±10% | Y5P | 7.8 | 6 | 7.5 | 0.55±0.05 | 编带 |
| DCH471K30Y5PR6VK7C8 | 3KVDC | 470 | ±10% | Y5P | 7.8 | 6 | 7.5 | 0.55±0.05 | 编带 |
| DCH471K34YR P6FJ5A0 | 2KVDC | 470 | ±10% | YR | 9 | 5 | 5.0 | 0.55±0.05 | 编带 |
| DCH471K34YR P6FJ5C8 | 2KVDC | 470 | ±10% | YR | 9 | 5 | 5.0 | 0.55±0.05 | 编带 |
| DCH471M22Y5UN6WL5A0 | 1KVDC | 470 | ±20% | Y5U | 5.5 | 4 | 5.0 | 0.55±0.05 | 散件 |
| DCH472K49Y5PN6BL0A0 | 1KVDC | 4700 | ±10% | Y5P | 13 | 4 | 10.0 | 0.55±0.05 | 散件 |
| DCH472K49Y5PN6BL5A0 | 1KVDC | 4700 | ±10% | Y5P | 13 | 4 | 5.0 | 0.55±0.05 | 散件 |
| DCH472K49Y5PN6BL7A0 | 1KVDC | 4700 | ±10% | Y5P | 13 | 4 | 7.5 | 0.55±0.05 | 散件 |
| DCH472K49Y5PN6VJ7A0 | 1KVDC | 4700 | ±10% | Y5P | 13 | 4 | 7.5 | 0.55±0.05 | 编带 |
| DCH472K49Y5PN6VL7A0 | 1KVDC | 4700 | ±10% | Y5P | 13 | 4 | 7.5 | 0.55±0.05 | 编带 |
| DCH472K49Y5PN6WL5A0 | 1KVDC | 4700 | ±10% | Y5P | 13 | 4 | 5.0 | 0.55±0.05 | 散件 |
| DCH472K49Y5PN6WP7A0 | 1KVDC | 4700 | ±10% | Y5P | 13 | 4 | 7.5 | 0.55±0.05 | 散件 |
| DCH472M30Y5VN6FJ5BU | 1KVDC | 4700 | ±20% | Y5V | 7.8 | 4 | 5.0 | 0.55±0.05 | 编带 |

| | | | | | | | | | |
|---------------------|-------|------|---------|-----|------|---|------|-----------|----|
| DCH472M30Y5VN6FL5A0 | 1KVDC | 4700 | ±20% | Y5V | 7.8 | 4 | 5.0 | 0.55±0.05 | 编带 |
| DCH472M36Y5U16FJ5A0 | 1KVDC | 4700 | ±20% | Y5U | 9.8 | 4 | 5.0 | 0.55±0.05 | 编带 |
| DCH472M36Y5UN6FJ5A0 | 1KVDC | 4700 | ±20% | Y5U | 9.8 | 4 | 5.0 | 0.55±0.05 | 编带 |
| DCH472M36Y5UN6FL5AR | 1KVDC | 4700 | ±20% | Y5U | 9.8 | 4 | 5.0 | 0.55±0.05 | 编带 |
| DCH472M36Y5UNEVJ7A0 | 1KVDC | 4700 | ±20% | Y5U | 9.8 | 4 | 7.5 | 0.58Cu 线 | 编带 |
| DCH472M36Y5VP6BL5A0 | 2KVDC | 4700 | ±20% | Y5V | 9.8 | 5 | 5.0 | 0.55±0.05 | 散件 |
| DCH472M39Y5VR6BL7A0 | 3KVDC | 4700 | ±20% | Y5V | 10.5 | 6 | 7.5 | 0.55±0.05 | 散件 |
| DCH472M46Y5UP6BL7A0 | 2KVDC | 4700 | ±20% | Y5U | 12.3 | 5 | 7.5 | 0.55±0.05 | 散件 |
| DCH472M46Y5UP6FL5A0 | 2KVDC | 4700 | ±20% | Y5U | 12.3 | 5 | 5.0 | 0.55±0.05 | 编带 |
| DCH472Z30Y5VN63L5A0 | 1KVDC | 4700 | 80%-20% | Y5V | 7.8 | 4 | 5.0 | 0.55±0.05 | 散件 |
| DCH472Z30Y5VN6BL5A0 | 1KVDC | 4700 | 80%-20% | Y5V | 7.8 | 4 | 5.0 | 0.55±0.05 | 散件 |
| DCH472Z30Y5VN6FJ5A0 | 1KVDC | 4700 | 80%-20% | Y5V | 7.8 | 4 | 5.0 | 0.55±0.05 | 编带 |
| DCH472Z30Y5VN6WL5A0 | 1KVDC | 4700 | 80%-20% | Y5V | 7.8 | 4 | 5.0 | 0.55±0.05 | 散件 |
| DCH472Z36Y5VP6BL5A0 | 2KVDC | 4700 | 80%-20% | Y5V | 9.8 | 5 | 5.0 | 0.55±0.05 | 散件 |
| DCH472Z39Y5VR6BLOA0 | 3KVDC | 4700 | 80%-20% | Y5V | 10.5 | 6 | 10.0 | 0.55±0.05 | 散件 |
| DCH509D26SL R6VK7C8 | 3KVDC | 5 | ±0.5PF | SL | 6.8 | 6 | 7.5 | 0.55±0.05 | 编带 |
| DCH561K22Y5PN6FL5A0 | 1KVDC | 560 | ±10% | Y5P | 5.5 | 4 | 5.0 | 0.55±0.05 | 编带 |
| DCH680J26SL P6FJ5A0 | 2KVDC | 68 | ±5% | SL | 6.8 | 5 | 5.0 | 0.55±0.05 | 编带 |
| DCH680J26SL P6FK5A0 | 2KVDC | 68 | ±5% | SL | 6.8 | 5 | 5.0 | 0.55±0.05 | 编带 |
| DCH680K22SL N60L5C8 | 1KVDC | 68 | ±10% | SL | 5.5 | 4 | 5.0 | 0.55±0.05 | 散件 |
| DCH680K22SL N6FJ5A0 | 1KVDC | 68 | ±10% | SL | 5.5 | 4 | 5.0 | 0.55±0.05 | 编带 |
| DCH680K22SL N6FJ5C8 | 1KVDC | 68 | ±10% | SL | 5.5 | 4 | 5.0 | 0.55±0.05 | 编带 |
| DCH680K22SL N6FL5C8 | 1KVDC | 68 | ±10% | SL | 5.5 | 4 | 5.0 | 0.55±0.05 | 编带 |
| DCH680K22SL N6WL5A0 | 1KVDC | 68 | ±10% | SL | 5.5 | 4 | 5.0 | 0.55±0.05 | 散件 |
| DCH680K22Y5P16FJ5A0 | 1KVDC | 68 | ±10% | Y5P | 5.5 | 4 | 5.0 | 0.55±0.05 | 编带 |

| | | | | | | | | | |
|---------------------|-------|-----|------|-----|-----|---|-----|-----------|----|
| DCH680K22YR N6FJ5C8 | 1KVDC | 68 | ±10% | YR | 5.5 | 4 | 5.0 | 0.55±0.05 | 编带 |
| DCH680K22YR N6FJ5G8 | 1KVDC | 68 | ±10% | YR | 5.5 | 4 | 5.0 | 0.55±0.05 | 编带 |
| DCH680K30SL P6FJ5C8 | 2KVDC | 68 | ±10% | SL | 7.8 | 5 | 5.0 | 0.55±0.05 | 编带 |
| DCH680K30SL P6VK7C8 | 2KVDC | 68 | ±10% | SL | 7.8 | 5 | 7.5 | 0.55±0.05 | 编带 |
| DCH680K30SL PBFJ5A0 | 2KVDC | 68 | ±10% | SL | 7.8 | 5 | 5.0 | 0.55±0.05 | 编带 |
| DCH680K36SL R6VK7C8 | 3KVDC | 68 | ±10% | SL | 9.8 | 6 | 7.5 | 0.55±0.05 | 编带 |
| DCH681K26Y5PN6BL5A0 | 1KVDC | 680 | ±10% | Y5P | 6.8 | 4 | 5.0 | 0.55±0.05 | 散件 |
| DCH681K26Y5PN6DL5A0 | 1KVDC | 680 | ±10% | Y5P | 6.8 | 4 | 5.0 | 0.55±0.05 | 散件 |
| DCH681K26Y5PN6FJ5C8 | 1KVDC | 680 | ±10% | Y5P | 6.8 | 4 | 5.0 | 0.55±0.05 | 编带 |
| DCH681K26Y5PN6FJ5EZ | 1KVDC | 680 | ±10% | Y5P | 6.8 | 4 | 5.0 | 0.55±0.05 | 编带 |
| DCH681K26Y5PN6WL5A0 | 1KVDC | 680 | ±10% | Y5P | 6.8 | 4 | 5.0 | 0.55±0.05 | 散件 |
| DCH681K26Y5PNEWL5A0 | 1KVDC | 680 | ±10% | Y5P | 6.8 | 4 | 5.0 | 0.58Cu 线 | 散件 |
| DCH681K30Y5PP6FJ5CX | 2KVDC | 680 | ±10% | Y5P | 7.8 | 5 | 5.0 | 0.55±0.05 | 编带 |
| DCH681K30Y5PP6FJ5EZ | 2KVDC | 680 | ±10% | Y5P | 7.8 | 5 | 5.0 | 0.55±0.05 | 编带 |
| DCH681K30YR N6FJ5A0 | 1KVDC | 680 | ±10% | YR | 7.8 | 4 | 5.0 | 0.55±0.05 | 编带 |
| DCH681K30YR N6FL5A0 | 1KVDC | 680 | ±10% | YR | 7.8 | 4 | 5.0 | 0.55±0.05 | 编带 |

SHMR®

电性能指标 Electrical Performance

| 序号 No. | 项目名称 Item | 技术要求 Specification | |
|-----------|---------------------------------------|-------------------------|---|
| 1 | 容量和误差 C | @25°C, 1 kHz and 1 Vrms | 参照规格表 See the specification |
| 2 | 损耗系数 DF | @25°C, 1 kHz and 1 Vrms | 2.5% max. |
| 3 | 绝缘电阻 IR | @500 VDC, 60S | 10000MΩmin |
| 4 | 耐电压 Rate Voltage | 1KV | 2U _R 无击穿或飞弧。 No visible damage |
| | | 2KV | |
| | | 3KV | |
| 5 | 温度特性 temperature characteristic | SL | + 140~-1100 (10 ⁻⁶ /°C) |
| | | X7R/YR | ±15% |
| | | Y5P | ±10% |
| | | Y5U | +22% to -56% |
| | | Y5V | +22% to -82% |

标志 Marking

例如 e.g

| | 30#号产品以下 ≤ 30# | 34#产品以上 ≥ 34# |
|-------------|---|---|
| 正面 Front |  |  |

| | | |
|------------|-------------|-------------|
| 反面 Back | 空白 Blank | 空白 Blank |
|------------|-------------|-------------|

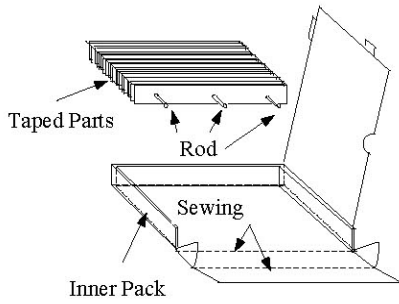
编带样式 **Taping style**

SHMR®

SHMR®

SHMR®

TAPING STYLE F



- 1.* For lead styles of inside kink and outside kink only
2. The lead sharp shall change with lead style.

| Symbol | Dimension(mm) |
|------------|--|
| P0 | 12.7±0.2 |
| P | 12.7±1.0 |
| F | 5.0±0.5 |
| P1 | 3.85±0.4 |
| P2 | 6.35±0.4 |
| H0 | 16.0±0.5* |
| H | 20.0±0.5 |
| W | 18.0±0.5 |
| W0 | 8.0min. |
| W1 | 9.0±0.3 |
| W2 | 3.0max. |
| t | 0.7±0.2 |
| D | To comply with individual sheet |
| D0 | 4±0.2 |
| d | To comply with individual sheet |
| l | 2.0max. |
| L | 11max. |
| T | To comply with individual sheet |
| Δ S | 0.5max. |
| Δ h | 0.5max. |

Figure 2

TAPING STYLE V



| Symbol | Dimension(mm) |
|------------|---------------------------------|
| P0 | 15.0±0.2 |
| P | 15.0±1.0 |
| F | 7.5±0.5 |
| P1 | 3.75±0.4 |
| P2 | 7.5±0.4 |
| H0 | 16.0±0.5*¹ |
| H | 20.0±0.5*² |
| W | 18.0±0.5 |
| W0 | 8.0min. |
| W1 | 9.0±0.3 |
| W2 | 3.0max. |
| t | 0.7±0.2 |
| D | To comply with individual sheet |
| D0 | 4±0.2 |
| d | To comply with individual sheet |
| l | 2.0max. |
| T | To comply with individual sheet |
| Δ S | 1.0 max. |
| Δ h | 1.0 max. |

1. *1 打弯脚型以H0为准。

For kink lead only.

2. *2 直角产品以H为准。

For straight lead only.

Figure 3

X-ON Electronics

Largest Supplier of Electrical and Electronic Components

Click to view similar products for [Ceramic Disc Capacitors](#) category:

Click to view products by [South HongMing](#) manufacturer:

Other Similar products are found below :

[5AU100JCECA](#) [5AU220JCGCA](#) [5AU560JCJCA](#) [DEF2CLH020CA3B](#) [HCU180KBCDRTKR](#) [432202101621](#) [DEF2CLH030CJ3B](#)
[101GHR102K](#) [W1X223MCVCF0KR](#) [CC-100N](#) [564RBA142EH472MA03](#) [NCD102K1KVY5FF](#) [NCD101K1KVY5FF](#) [NCD103M1KVZ5UF](#)
[NCD151K1KVY5FF](#) [NCD331K1KVY5FF](#) [440LT68AP-R](#) [AOL-1502-02](#) [NCD103M1KVZ5UJTBF](#) [DEF2CLH040CN3A](#)
[DEF2CLH080DA3B](#) [0811-040-X7R0-102K](#) [8903D0](#) [90410-10](#) [YV101103Z060HAND5P](#) [SL102101J060BAND5P](#) [ZU501103M090B20C6P](#)
[ZU102103M100X05B0P](#) [YP102271K050B20C6P](#) [YP102391K050BAND5P](#) [YP501101K040BAND5P](#) [ZU102103M100BAND5H](#)
[YP102681K060B20C6P](#) [YP501121K040B20C6P](#) [SL102181J070HAND5P](#) [YP501471K040B20C6P](#) [SL102151J070HAND5P](#)
[YP501102K050HAND5P](#) [ZU501102M050B20C6P](#) [YP501472K100B20C6P](#) [ZU102103M100B20C0P](#) [YV500223Z080HAND5P](#)
[CC1H220KA1EDCH4B1100](#) [SL500330J040B20C2P](#) [SL501510J050B20C6P](#) [SL102221J080HAND5P](#) [YP500103M100HAND5P](#)
[YP102101K050B20C5B](#) [YP500472K070HAND5P](#) [SL102101J060HAND5H](#)