

## DCH 高压瓷介电容器

### DCH High Voltage Ceramic Capacitors

#### 特性 Feature

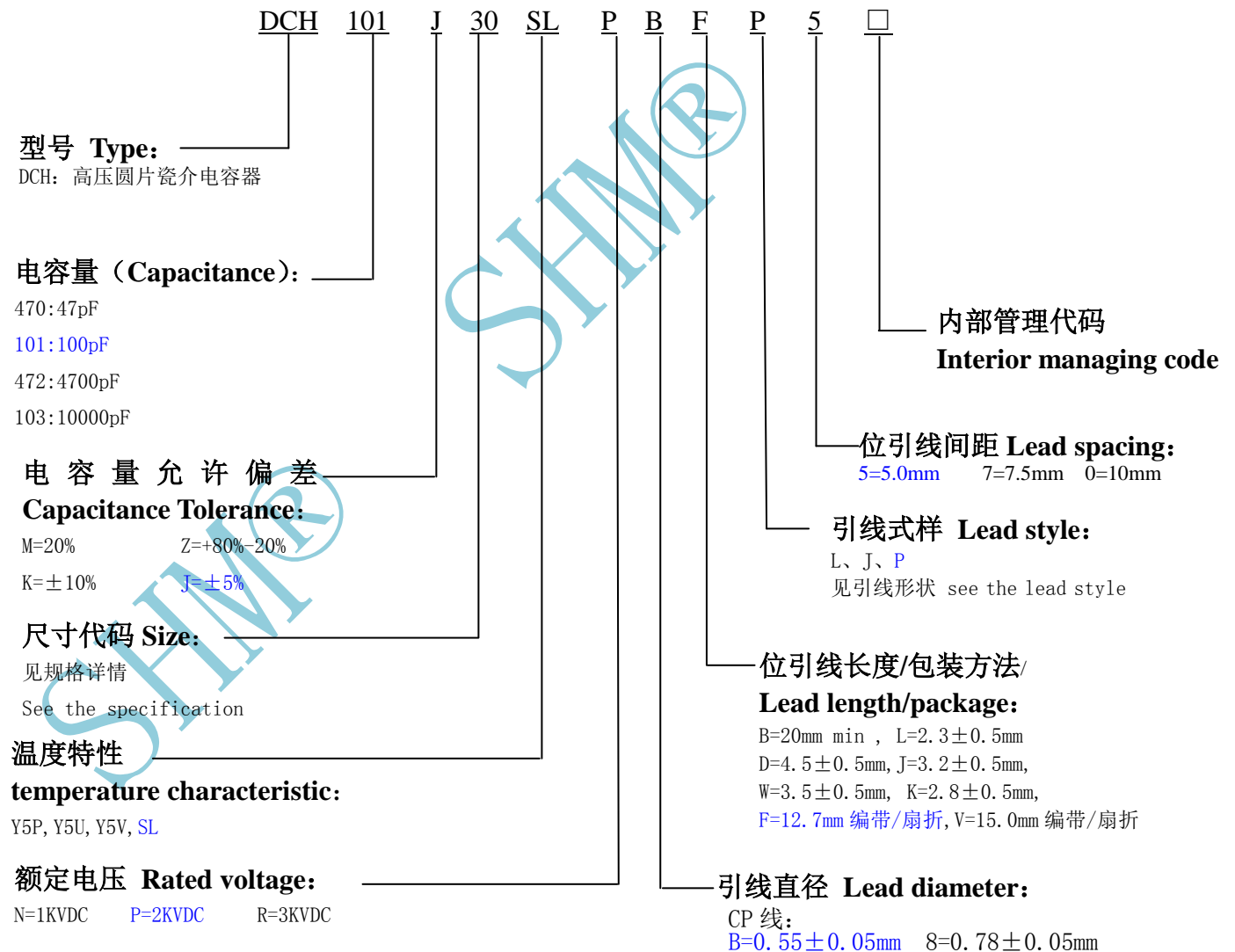
- 容量范围 Wide capacitance range from 10pF to 10000pF
- 工作温度 Operating Temperature: -40℃~125℃
- 存储温度 Storage Temperature: -10℃~40℃

#### 应用 Applications

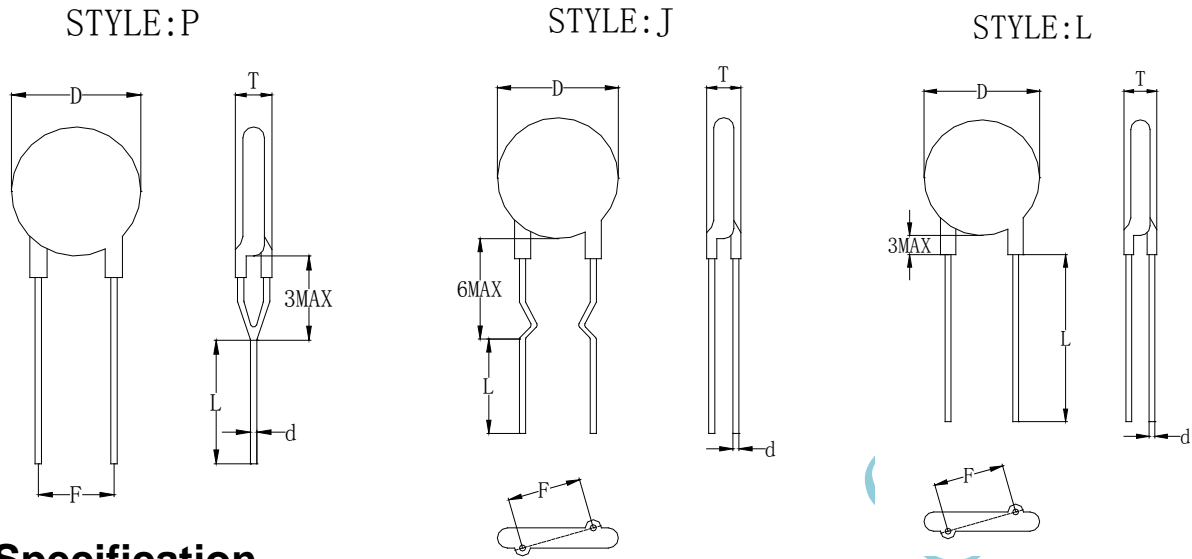
高压瓷介电容器具有耐直流高压的特点，适用于高压旁路和耦合电路中。其中的低损耗高压圆片瓷介电容器具有较低的介质损耗，特别适合在电视接收机的行扫描等电路中使用。

The high voltage disc ceramic capacitors have feature of withstanding higher voltage. These capacitors are used in bypass and coupling circuit, and those capacitors with low dissipation factor are particularly suitable for use in the line scan circuit in TV receiver.

#### 产品型号 Part Number



## 脚型 Lead style



## 规格 Specification

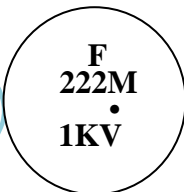
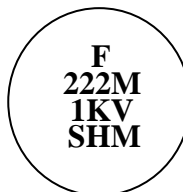
| SHM 产品代码<br>SHM Part No. | 额定电压<br>Rated voltage<br>(VDC) | 标称容量<br>Nominal capacitance (pF) | 电容量允许偏差范围<br>Tolerance (%) | 温度特性<br>Temperature Characteristic | 产品尺寸(mm)         |                 |               |                |                     |
|--------------------------|--------------------------------|----------------------------------|----------------------------|------------------------------------|------------------|-----------------|---------------|----------------|---------------------|
|                          |                                |                                  |                            |                                    | 直径<br>Dmax. (mm) | 厚度<br>Tmax (mm) | 引线间距<br>F(mm) | 引线直径<br>d (mm) | 引线长度 L<br>(mm)/编带方式 |
| DCH220K22SL NBFL5A0      | 1000                           | 22                               | ±10%                       | SL                                 | 5.5              | 4.0             | 5.0±0.5       | 0.55±0.05      | F 编带                |
| DCH221K22Y5PNBFJ5A0      | 1000                           | 220                              | ±10%                       | Y5P                                | 5.5              | 4.0             | 5.0±0.5       | 0.55±0.05      | F 编带                |
| DCH471K22Y5PN6WJ5A0      | 1000                           | 470                              | ±10%                       | Y5P                                | 5.5              | 4.0             | 5.0±0.5       | 0.55±0.05      | 3.5±0.5             |
| DCH103K46Y5PN6BL7A0      | 1000                           | 10000                            | ±10%                       | Y5P                                | 12.3             | 4.0             | 5.0±0.5       | 0.55±0.05      | 20min               |
| DCH220K22SL PBFJ5A0      | 2000                           | 22                               | ±10%                       | SL                                 | 5.5              | 5.0             | 5.0±0.5       | 0.55±0.05      | F 编带                |
| DCH101J30SL PBF5A0       | 2000                           | 100                              | ±10%                       | SL                                 | 7.8              | 5.0             | 5.0±0.5       | 0.55±0.05      | F 编带                |
| DCH471K26Y5PP6BL5A0      | 2000                           | 470                              | ±10%                       | Y5P                                | 6.8              | 5.0             | 5.0±0.5       | 0.55±0.05      | 20min               |
| DCH472M36Y5VP6CL5A0      | 2000                           | 4700                             | ±20%                       | Y5V                                | 9.8              | 5.0             | 5.0±0.5       | 0.55±0.05      | 3.8±0.5             |
| DCH103M46Y5VP6WL7A0      | 2000                           | 10000                            | ±20%                       | Y5V                                | 12.3             | 5.0             | 7.5±0.5       | 0.55±0.05      | 3.5±0.5             |

## 电性能指标 Electrical Performance

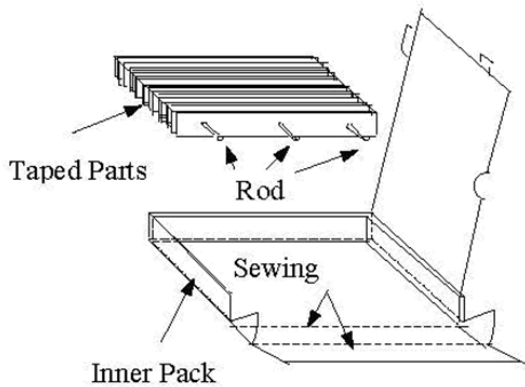
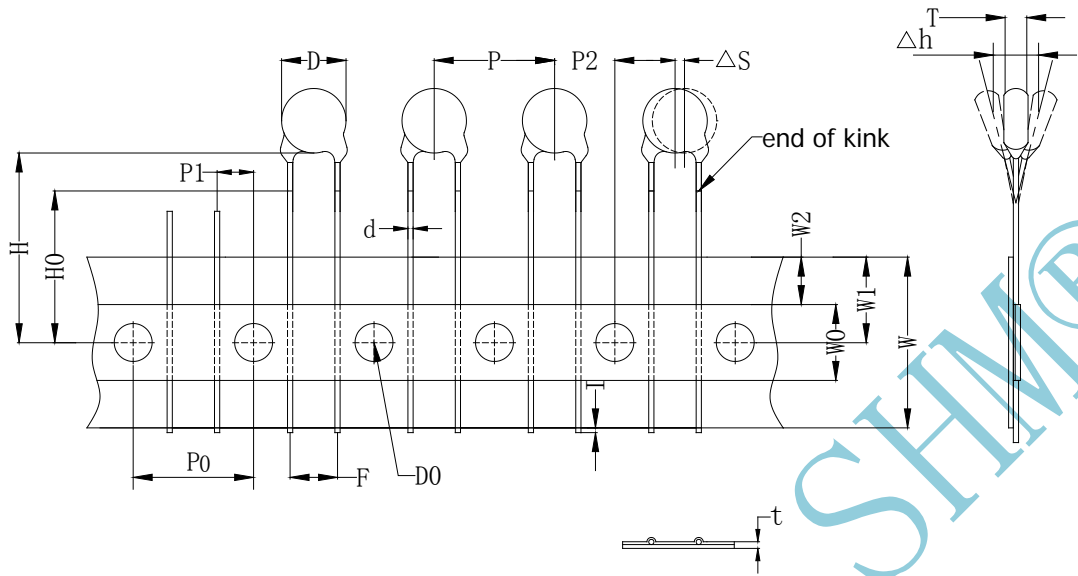
| 序号<br>No. | 项目名称 Item                             | 技术要求 Specification  |   |
|-----------|---------------------------------------|---|---|
| 1         | 容量和误差 C                               |   | 参照规格表<br>See the specification  |
| 2         | 损耗系数 DF                               | @25°C, 1kHz and 1Vrms/<br>@25°C, 1MHz and 1Vrms (For SL)  | $Q \geq 400 + 20Cr$ ( $Cr < 30pF$ )<br>$Q \geq 1000$ ( $Cr \geq 30pF$ ) For SL<br>2.5% max. (Y5P, Y5U)<br>3.5% max. (Y5V) |
| 3         | 绝缘电阻 IR                               | @500 VDC, 60S   | 10000M $\Omega$ min   |
| 4         | 耐电压<br>Rate Voltage                   | $2U_R$ ( $U_R=1KV \sim 2KV$ );<br>$1.75U_R$ ( $U_R=3KV$ ) | 无击穿或飞弧。<br>No visible damage  |
| 5         | 温度特性<br>temperature<br>characteristic | SL  | +100 to -1000 ( $10^{-6}/^{\circ}C$ )   |
|           |                                       | Y5P   | $\pm 10\%$  |
|           |                                       | Y5U   | +22% to -56%  |
|           |                                       | Y5V   | +22% to -82%  |

## 标志 Marking

例如 e.g

|             | 30#号产品以下<br>$\leq 30\#$   | 34#产品以上<br>$\geq 34\#$  |
|-------------|---|---|
| 正面<br>Front |  |  |
| 反面<br>Back  | 空白<br>Blank   | 空白<br>Blank   |

**TAPING STYLE F**



- 1.\*打弯脚型以 H0 为准。  
 For kink lead only.  
 2.\*直脚产品以 H 为准。  
 For straight lead only.

| Symbol | Dimension(mm)                   |
|--------|---------------------------------|
| P0     | 12.7±0.2                        |
| P      | 12.7±1.0                        |
| F      | 5.0±0.5                         |
| P1     | 3.85±0.4                        |
| P2     | 6.35±0.4                        |
| H0     | 16.0±1.0*1                      |
| H      | 20.0±1.0*2                      |
| W      | 18.0±0.5                        |
| W0     | 8.0min.                         |
| W1     | 9.0±0.3                         |
| W2     | 3.0max.                         |
| t      | 0.7±0.2                         |
| D      | To comply with individual sheet |
| D0     | 4.0±0.2                         |
| d      | To comply with individual sheet |
| l      | 2.0max.                         |
| T      | To comply with individual sheet |
| ΔS     | 1.0max.                         |
| Δh     | 1.0max.                         |

## X-ON Electronics

Largest Supplier of Electrical and Electronic Components

*Click to view similar products for [Safety Capacitors](#) category:*

*Click to view products by [South HongMing](#) manufacturer:*

Other Similar products are found below :

[B32022B3223K026](#) [B32912A3104K026](#) [46KI3470DQM1K](#) [B32913A3154K](#) [B81123C1102M003](#) [MKPY2-.02230020P15](#)  
[46KN333000M1M](#) [46KN422000P0M](#) [DE1E3KX222MJ4BN01F](#) [46KR422000M1K](#) [HUB2200-S](#) [46KF268000M1M](#) [46KI3150NDM2M](#)  
[PHE840MD6220MD13R30](#) [PHE840MY6470MD14R06](#) [PHE845VD5470MR06](#) [R463N4100ZAM1K](#) [MKPX2R-1/400/10P27](#)  
[YP500101K040B20C2P](#) [YU0AH222M090DAMD0B](#) [LS1808N102K302NX080TM](#) [CY1471KE1IEB46X2A2](#) [CY1222ME5IEE48O2A2](#)  
[MPX474K31DTEV158G0](#) [CY1471ME19EE45W2A2](#) [MPX104K31D2KN158HF](#) [MPX224K31D2KN158G0](#) [PX104K2W1502](#)  
[YU1AH222M090DASD0H](#) [C47S1472K60C000](#) [MP2224K32C5J6LC](#) [H102M050FQ55250L750A](#) [MP2474K32D6R8LC](#)  
[MP2224K32C3J6LC](#) [MP2104K32C3J6LC](#) [PX334K2C1006](#) [YU0AC222M080L20C7B](#) [MP2473K27B2X6LC](#) [MP2224K32D4J8LC](#)  
[MP2684K32D6T8LC](#) [ST3Y1Y5U332M500VAC](#) [ST3Y1Y5V472M500VAC](#) [MP2474K32D4X8LC](#) [MP2474K32D4J8LC](#)  
[YU0AH332M110L4EB0B](#) [CY1681ME1IEE45S2A2](#) [Y1220J-E1I-B4-AC400V](#) [Y1120K-E1I-B4-AC400V](#) [MP2154K32D2R8LC](#)  
[ST1Y1Y5V222M500VAC](#)