

# 高压瓷介电容器

## High Voltage Ceramic Capacitors

### 特性 Feature

- 容量范围 Wide capacitance range from 100pF to 10000pF
- 工作温度 Operating Temperature:  $-40^{\circ}\text{C} \sim 125^{\circ}\text{C}$
- 存储温度 Storage Temperature:  $-10^{\circ}\text{C} \sim 40^{\circ}\text{C}$

### 应用 Applications

高压瓷介电容器具有耐直流高压的特点，适用于高压旁路和耦合电路中。其中的低损耗高压圆片瓷介电容器具有较低的介质损耗，特别适合在电视接收机的行扫描等电路中使用。

The high voltage disc ceramic capacitors have feature of withstanding higher voltage. These capacitors are used in bypass and coupling circuit, and those capacitors with low dissipation factor are particularly suitable for use in the line scan circuit in TV receiver.

### 产品型号 Part Number

DCH 331 K 26 Y5P N 6 B L 5 □ □

#### 型号 Type:

DCF: 交流圆片瓷介电容器  
DCG: 超高压瓷片电容器  
DCH: 高压圆片瓷介电容器

#### 电容量 (Capacitance):

470: 47pF  
471: 470pF  
472: 2200pF  
103: 10000pF

#### 电容量允许偏差

#### Capacitance Tolerance:

M=20% Z=+80%-20%  
K=±10% J=±5%

#### 尺寸代码 Size:

见规格详情  
See the specification

#### 温度特性

#### temperature characteristic:

Y5P, Y5U, Y5V

#### 额定电压 Rated voltage:

N=1KVDC P=2KVDC R=3KVDC  
G=X1 400VAC Y1 250VAC Q=X1 400VAC/Y2 250VAC

#### 电极材料:

#### Electrode Material

Copper or Silver electrode

#### 内部管理代码

#### Interior managing

#### 位引线间距 Lead spacing:

5=5.0mm 7=7.5mm 0=10mm

#### 引线式样 Lead style:

L、J、  
见引线形状 see the lead style  
Figure1-2 and figure 1-3

#### 位引线长度/包装方法/

#### Lead length/package:

B=26.0±1.0mm, L=2.3±0.3mm  
D=4.5±0.5mm, J=3.2±0.3mm,  
W=3.4±0.3mm, K=2.8±0.5mm,  
F=12.7mm 编带/扇折, V=15.0mm 编带/扇折

#### 引线直径 Lead diameter:

CP 线:  
6=0.55±0.05mm 8=0.78±0.05mm

# 脚型 Lead style



Figure 1-2



Figure 1-3

# 规格 Specification

| SHM 产品代码<br>SHM Part No. | 额定电压<br>Rated voltage<br>(KV) | 标称容量<br>Nominal capacitance<br>(pF) | 电容量允许<br>偏差范围<br>Tolerance<br>(%) | 温度特性<br>Temperature<br>Characteristic | 产品尺寸(mm)            |                     |                   |                |           |
|--------------------------|-------------------------------|-------------------------------------|-----------------------------------|---------------------------------------|---------------------|---------------------|-------------------|----------------|-----------|
|                          |                               |                                     |                                   |                                       | 直径<br>Dmax.<br>(mm) | 厚度<br>Tmax.<br>(mm) | 引线<br>间距<br>F(mm) | 引线直径<br>d (mm) | 散件/<br>编带 |
| DCH100J22X7RN6FL5A0      | 1KVDC                         | 10                                  | ±5%                               | X7R                                   | 5.5                 | 4                   | 5.0               | 0.55±0.05      | 编带        |
| DCH100K22COHN6FJ5EZ      | 1KVDC                         | 10                                  | ±10%                              | COH                                   | 5.5                 | 4                   | 5.0               | 0.55±0.05      | 编带        |
| DCH100K22COHNEFL5A0      | 1KVDC                         | 10                                  | ±10%                              | COH                                   | 5.5                 | 4                   | 5.0               | 0.58Cu 线       | 编带        |
| DCH100K22SL N6FJ5A0      | 1KVDC                         | 10                                  | ±10%                              | SL                                    | 5.5                 | 4                   | 5.0               | 0.55±0.05      | 编带        |
| DCH100K22SL N6WL5A0      | 1KVDC                         | 10                                  | ±10%                              | SL                                    | 5.5                 | 4                   | 5.0               | 0.55±0.05      | 散件        |
| DCH100K22YR N6FJ5A0      | 1KVDC                         | 10                                  | ±10%                              | YR                                    | 5.5                 | 4                   | 5.0               | 0.55±0.05      | 编带        |
| DCH100K22YR N6FJ5C8      | 1KVDC                         | 10                                  | ±10%                              | YR                                    | 5.5                 | 4                   | 5.0               | 0.55±0.05      | 编带        |
| DCH100K22YR P6FJ5A0      | 2KVDC                         | 10                                  | ±10%                              | YR                                    | 5.5                 | 5                   | 5.0               | 0.55±0.05      | 编带        |
| DCH101K22SL N63L5A0      | 1KVDC                         | 100                                 | ±10%                              | SL                                    | 5.5                 | 4                   | 5.0               | 0.55±0.05      | 散件        |
| DCH101K22SL N6FL5A0      | 1KVDC                         | 100                                 | ±10%                              | SL                                    | 5.5                 | 4                   | 5.0               | 0.55±0.05      | 编带        |
| DCH101K22SL N6FL5AR      | 1KVDC                         | 100                                 | ±10%                              | SL                                    | 5.5                 | 4                   | 5.0               | 0.55±0.05      | 编带        |
| DCH101K22SL N6WL5A0      | 1KVDC                         | 100                                 | ±10%                              | SL                                    | 5.5                 | 4                   | 5.0               | 0.55±0.05      | 散件        |
| DCH101K22X7R16FL5A0      | 1KVDC                         | 100                                 | ±10%                              | X7R                                   | 5.5                 | 4                   | 5.0               | 0.55±0.05      | 编带        |

|                     |       |     |      |     |     |   |     |           |    |
|---------------------|-------|-----|------|-----|-----|---|-----|-----------|----|
| DCH101K22X7RN6FJ5B8 | 1KVDC | 100 | ±10% | X7R | 5.5 | 4 | 5.0 | 0.55±0.05 | 编带 |
| DCH101K22Y5P16FJ5A0 | 1KVDC | 100 | ±10% | Y5P | 5.5 | 4 | 5.0 | 0.55±0.05 | 编带 |
| DCH101K22Y5P16FL5A0 | 1KVDC | 100 | ±10% | Y5P | 5.5 | 4 | 5.0 | 0.55±0.05 | 编带 |
| DCH101K22Y5PN5WL5A0 | 1KVDC | 100 | ±10% | Y5P | 5.5 | 4 | 5.0 | 0.48±0.05 | 散件 |
| DCH101K22Y5PN6BL5A0 | 1KVDC | 100 | ±10% | Y5P | 5.5 | 4 | 5.0 | 0.55±0.05 | 散件 |
| DCH101K22Y5PN6FJ5EE | 1KVDC | 100 | ±10% | Y5P | 5.5 | 4 | 5.0 | 0.55±0.05 | 编带 |
| DCH101K22Y5PN6FJ7A0 | 1KVDC | 100 | ±10% | Y5P | 5.5 | 4 | 7.5 | 0.55±0.05 | 编带 |
| DCH101K22Y5PN6FK5A0 | 1KVDC | 100 | ±10% | Y5P | 5.5 | 4 | 5.0 | 0.55±0.05 | 编带 |
| DCH101K22Y5PN6FL5A0 | 1KVDC | 100 | ±10% | Y5P | 5.5 | 4 | 5.0 | 0.55±0.05 | 编带 |
| DCH101K22Y5PN6VK7A0 | 1KVDC | 100 | ±10% | Y5P | 5.5 | 4 | 7.5 | 0.55±0.05 | 编带 |
| DCH101K22Y5PN6WL5A0 | 1KVDC | 100 | ±10% | Y5P | 5.5 | 4 | 5.0 | 0.55±0.05 | 散件 |
| DCH101K22YR 16FJ5A0 | 1KVDC | 100 | ±10% | YR  | 5.5 | 4 | 5.0 | 0.55±0.05 | 编带 |
| DCH101K22YR N6FH5GD | 1KVDC | 100 | ±10% | YR  | 5.5 | 4 | 5.0 | 0.55±0.05 | 编带 |
| DCH101K22YR N6FJ5A0 | 1KVDC | 100 | ±10% | YR  | 5.5 | 4 | 5.0 | 0.55±0.05 | 编带 |
| DCH101K22YR N6FJ5C8 | 1KVDC | 100 | ±10% | YR  | 5.5 | 4 | 5.0 | 0.55±0.05 | 编带 |
| DCH101K22YR N6FK5C8 | 1KVDC | 100 | ±10% | YR  | 5.5 | 4 | 5.0 | 0.55±0.05 | 编带 |
| DCH101K22YR N6FK5G8 | 1KVDC | 100 | ±10% | YR  | 5.5 | 4 | 5.0 | 0.55±0.05 | 编带 |
| DCH101K26Y5PP6BL5A0 | 2KVDC | 100 | ±10% | Y5P | 6.8 | 5 | 5.0 | 0.55±0.05 | 散件 |
| DCH101K26Y5PR6BL5A0 | 3KVDC | 100 | ±10% | Y5P | 6.8 | 6 | 5.0 | 0.55±0.05 | 散件 |
| DCH101K26Y5PR6BL7A0 | 3KVDC | 100 | ±10% | Y5P | 6.8 | 6 | 7.5 | 0.55±0.05 | 散件 |
| DCH101K26YP P6FJ5EZ | 2KVDC | 100 | ±10% | YP  | 6.8 | 5 | 5.0 | 0.55±0.05 | 编带 |
| DCH101K26YP P6FK5EZ | 2KVDC | 100 | ±10% | YP  | 6.8 | 5 | 5.0 | 0.55±0.05 | 编带 |
| DCH101K26YR N6FJ5A0 | 1KVDC | 100 | ±10% | YR  | 6.8 | 4 | 5.0 | 0.55±0.05 | 编带 |
| DCH101K26YR P6BL5A0 | 2KVDC | 100 | ±10% | YR  | 6.8 | 5 | 5.0 | 0.55±0.05 | 散件 |
| DCH101K26YR P6FH5GD | 2KVDC | 100 | ±10% | YR  | 6.8 | 5 | 5.0 | 0.55±0.05 | 编带 |

|                     |       |      |      |     |     |   |     |           |    |
|---------------------|-------|------|------|-----|-----|---|-----|-----------|----|
| DCH101K26YR P6FJ5C8 | 2KVDC | 100  | ±10% | YR  | 6.8 | 5 | 5.0 | 0.55±0.05 | 编带 |
| DCH102K30Y5P16FJ5A0 | 1KVDC | 1000 | ±10% | Y5P | 7.8 | 4 | 5.0 | 0.55±0.05 | 编带 |
| DCH102K30Y5PN60L5C8 | 1KVDC | 1000 | ±10% | Y5P | 7.8 | 4 | 5.0 | 0.55±0.05 | 散件 |
| DCH102K30Y5PN62L5A0 | 1KVDC | 1000 | ±10% | Y5P | 7.8 | 4 | 5.0 | 0.55±0.05 | 散件 |
| DCH102K30Y5PN63L5A0 | 1KVDC | 1000 | ±10% | Y5P | 7.8 | 4 | 5.0 | 0.55±0.05 | 散件 |
| DCH102K30Y5PN68L5A0 | 1KVDC | 1000 | ±10% | Y5P | 7.8 | 4 | 5.0 | 0.55±0.05 | 散件 |
| DCH102K30Y5PN6BL5A0 | 1KVDC | 1000 | ±10% | Y5P | 7.8 | 4 | 5.0 | 0.55±0.05 | 散件 |
| DCH102K30Y5PN6DL5A0 | 1KVDC | 1000 | ±10% | Y5P | 7.8 | 4 | 5.0 | 0.55±0.05 | 散件 |
| DCH102K30Y5PN6FJ5BB | 1KVDC | 1000 | ±10% | Y5P | 7.8 | 4 | 5.0 | 0.55±0.05 | 编带 |
| DCH102K30Y5PN6FJ5BU | 1KVDC | 1000 | ±10% | Y5P | 7.8 | 4 | 5.0 | 0.55±0.05 | 编带 |
| DCH102K30Y5PN6FJ5C8 | 1KVDC | 1000 | ±10% | Y5P | 7.8 | 4 | 5.0 | 0.55±0.05 | 编带 |
| DCH102K30Y5PN6FJ5EE | 1KVDC | 1000 | ±10% | Y5P | 7.8 | 4 | 5.0 | 0.55±0.05 | 编带 |
| DCH102K30Y5PN6FJ5EZ | 1KVDC | 1000 | ±10% | Y5P | 7.8 | 4 | 5.0 | 0.55±0.05 | 编带 |
| DCH102K30Y5PN6FK5A0 | 1KVDC | 1000 | ±10% | Y5P | 7.8 | 4 | 5.0 | 0.55±0.05 | 编带 |
| DCH102K30Y5PN6FL5A0 | 1KVDC | 1000 | ±10% | Y5P | 7.8 | 4 | 5.0 | 0.55±0.05 | 编带 |
| DCH102K30Y5PN6FL5BU | 1KVDC | 1000 | ±10% | Y5P | 7.8 | 4 | 5.0 | 0.55±0.05 | 编带 |
| DCH102K30Y5PN6JK7A0 | 1KVDC | 1000 | ±10% | Y5P | 7.8 | 4 | 7.5 | 0.55±0.05 | 散件 |
| DCH102K30Y5PN6WL5A0 | 1KVDC | 1000 | ±10% | Y5P | 7.8 | 4 | 5.0 | 0.55±0.05 | 散件 |
| DCH102K30Y5PN6WL7A0 | 1KVDC | 1000 | ±10% | Y5P | 7.8 | 4 | 7.5 | 0.55±0.05 | 散件 |
| DCH102K30Y5PNEFJ5A0 | 1KVDC | 1000 | ±10% | Y5P | 7.8 | 4 | 5.0 | 0.58Cu 线  | 编带 |
| DCH102K30Y5PNEFL5A0 | 1KVDC | 1000 | ±10% | Y5P | 7.8 | 4 | 5.0 | 0.58Cu 线  | 编带 |
| DCH102K30YP N6FL5A0 | 1KVDC | 1000 | ±10% | YP  | 7.8 | 4 | 5.0 | 0.55±0.05 | 编带 |
| DCH102K34Y5PP6AL7A0 | 2KVDC | 1000 | ±10% | Y5P | 9   | 5 | 7.5 | 0.55±0.05 | 散件 |
| DCH102K34Y5PP6BL5A0 | 2KVDC | 1000 | ±10% | Y5P | 9   | 5 | 5.0 | 0.55±0.05 | 散件 |
| DCH102K34Y5PP6FJ5C8 | 2KVDC | 1000 | ±10% | Y5P | 9   | 5 | 5.0 | 0.55±0.05 | 编带 |

|                     |       |      |      |     |     |   |      |           |    |
|---------------------|-------|------|------|-----|-----|---|------|-----------|----|
| DCH102K34Y5PP6FJ5EZ | 2KVDC | 1000 | ±10% | Y5P | 9   | 5 | 5.0  | 0.55±0.05 | 编带 |
| DCH102K34Y5PP6JK0A0 | 2KVDC | 1000 | ±10% | Y5P | 9   | 5 | 10.0 | 0.55±0.05 | 散件 |
| DCH102K34Y5PP6JK7C8 | 2KVDC | 1000 | ±10% | Y5P | 9   | 5 | 7.5  | 0.55±0.05 | 散件 |
| DCH102K34Y5PP6JL7A0 | 2KVDC | 1000 | ±10% | Y5P | 9   | 5 | 7.5  | 0.55±0.05 | 散件 |
| DCH102K34Y5PP6VK7C8 | 2KVDC | 1000 | ±10% | Y5P | 9   | 5 | 7.5  | 0.55±0.05 | 编带 |
| DCH102K34Y5PP6WK0A0 | 2KVDC | 1000 | ±10% | Y5P | 9   | 5 | 10.0 | 0.55±0.05 | 散件 |
| DCH102K34Y5PP6WK5A0 | 2KVDC | 1000 | ±10% | Y5P | 9   | 5 | 5.0  | 0.55±0.05 | 散件 |
| DCH102K34Y5PPBVK7A0 | 2KVDC | 1000 | ±10% | Y5P | 9   | 5 | 7.5  | 0.55±0.05 | 编带 |
| DCH102K34Y5PPEWL7A0 | 2KVDC | 1000 | ±10% | Y5P | 9   | 5 | 7.5  | 0.58Cu 线  | 散件 |
| DCH102K34YR N6FJ5A0 | 1KVDC | 1000 | ±10% | YR  | 9   | 4 | 5.0  | 0.55±0.05 | 编带 |
| DCH102K34YR N6FL5AR | 1KVDC | 1000 | ±10% | YR  | 9   | 4 | 5.0  | 0.55±0.05 | 编带 |
| DCH102K34YR NEFJ5A0 | 1KVDC | 1000 | ±10% | YR  | 9   | 4 | 5.0  | 0.58Cu 线  | 编带 |
| DCH102K34YR NEFL5A0 | 1KVDC | 1000 | ±10% | YR  | 9   | 4 | 5.0  | 0.58Cu 线  | 编带 |
| DCH102K36Y5PR6BL0A0 | 3KVDC | 1000 | ±10% | Y5P | 9.8 | 6 | 10.0 | 0.55±0.05 | 散件 |
| DCH102K36Y5PR6BL7A0 | 3KVDC | 1000 | ±10% | Y5P | 9.8 | 6 | 7.5  | 0.55±0.05 | 散件 |
| DCH102K36Y5PR6VK7EE | 3KVDC | 1000 | ±10% | Y5P | 9.8 | 6 | 7.5  | 0.55±0.05 | 编带 |
| DCH102K36Y5PR6WK7EE | 3KVDC | 1000 | ±10% | Y5P | 9.8 | 6 | 7.5  | 0.55±0.05 | 散件 |
| DCH102M22Y5UN6FJ5A0 | 1KVDC | 1000 | ±20% | Y5U | 5.5 | 4 | 5.0  | 0.55±0.05 | 编带 |
| DCH102M22Y5UN6JL5A0 | 1KVDC | 1000 | ±20% | Y5U | 5.5 | 4 | 5.0  | 0.55±0.05 | 散件 |
| DCH102M22Y5UN6WL5A0 | 1KVDC | 1000 | ±20% | Y5U | 5.5 | 4 | 5.0  | 0.55±0.05 | 散件 |
| DCH102M22Y5VN6FJ5A0 | 1KVDC | 1000 | ±20% | Y5V | 5.5 | 4 | 5.0  | 0.55±0.05 | 编带 |
| DCH102M22Y5VN6WL5A0 | 1KVDC | 1000 | ±20% | Y5V | 5.5 | 4 | 5.0  | 0.55±0.05 | 散件 |
| DCH102M26Y5UP6BL5A0 | 2KVDC | 1000 | ±20% | Y5U | 6.8 | 5 | 5.0  | 0.55±0.05 | 散件 |
| DCH102M26Y5UP6FJ5A0 | 2KVDC | 1000 | ±20% | Y5U | 6.8 | 5 | 5.0  | 0.55±0.05 | 编带 |
| DCH102M26Y5UP6WL5A0 | 2KVDC | 1000 | ±20% | Y5U | 6.8 | 5 | 5.0  | 0.55±0.05 | 散件 |

|                     |       |       |         |     |      |   |      |           |    |
|---------------------|-------|-------|---------|-----|------|---|------|-----------|----|
| DCH102Z26Y5V46BL5A0 | 3KVDC | 1000  | 80%-20% | Y5V | 6.8  | 6 | 5.0  | 0.55±0.05 | 散件 |
| DCH103K46Y5PN6JK7A0 | 1KVDC | 10000 | ±10%    | Y5P | 12.3 | 4 | 7.5  | 0.55±0.05 | 散件 |
| DCH103M36Y5V16FJ5A0 | 1KVDC | 10000 | ±20%    | Y5V | 9.8  | 4 | 5.0  | 0.55±0.05 | 编带 |
| DCH103M36Y5V16WJ5A0 | 1KVDC | 10000 | ±20%    | Y5V | 9.8  | 4 | 5.0  | 0.55±0.05 | 散件 |
| DCH103M36Y5VN63L5A0 | 1KVDC | 10000 | ±20%    | Y5V | 9.8  | 4 | 5.0  | 0.55±0.05 | 散件 |
| DCH103M36Y5VN65L7A0 | 1KVDC | 10000 | ±20%    | Y5V | 9.8  | 4 | 7.5  | 0.55±0.05 | 散件 |
| DCH103M36Y5VN69L5A0 | 1KVDC | 10000 | ±20%    | Y5V | 9.8  | 4 | 5.0  | 0.55±0.05 | 散件 |
| DCH103M36Y5VN6BL5A0 | 1KVDC | 10000 | ±20%    | Y5V | 9.8  | 4 | 5.0  | 0.55±0.05 | 散件 |
| DCH103M36Y5VN6BL7A0 | 1KVDC | 10000 | ±20%    | Y5V | 9.8  | 4 | 7.5  | 0.55±0.05 | 散件 |
| DCH103M36Y5VN6DL5A0 | 1KVDC | 10000 | ±20%    | Y5V | 9.8  | 4 | 5.0  | 0.55±0.05 | 散件 |
| DCH103M36Y5VN6FJ7A0 | 1KVDC | 10000 | ±20%    | Y5V | 9.8  | 4 | 7.5  | 0.55±0.05 | 编带 |
| DCH103M36Y5VN6FK5A0 | 1KVDC | 10000 | ±20%    | Y5V | 9.8  | 4 | 5.0  | 0.55±0.05 | 编带 |
| DCH103M36Y5VN6FL5A0 | 1KVDC | 10000 | ±20%    | Y5V | 9.8  | 4 | 5.0  | 0.55±0.05 | 编带 |
| DCH103M36Y5VN6FL5BU | 1KVDC | 10000 | ±20%    | Y5V | 9.8  | 4 | 5.0  | 0.55±0.05 | 编带 |
| DCH103M36Y5VN6VL7A0 | 1KVDC | 10000 | ±20%    | Y5V | 9.8  | 4 | 7.5  | 0.55±0.05 | 编带 |
| DCH103M36Y5VN6WL5A0 | 1KVDC | 10000 | ±20%    | Y5V | 9.8  | 4 | 5.0  | 0.55±0.05 | 散件 |
| DCH103M36Y5VN6WL7A0 | 1KVDC | 10000 | ±20%    | Y5V | 9.8  | 4 | 7.5  | 0.55±0.05 | 散件 |
| DCH103M36Y5VNEFL5A0 | 1KVDC | 10000 | ±20%    | Y5V | 9.8  | 4 | 5.0  | 0.58Cu 线  | 编带 |
| DCH103M46Y5UN6VL7A0 | 1KVDC | 10000 | ±20%    | Y5U | 12.3 | 4 | 7.5  | 0.55±0.05 | 编带 |
| DCH103M46Y5UN6WP7A0 | 1KVDC | 10000 | ±20%    | Y5U | 12.3 | 4 | 7.5  | 0.55±0.05 | 散件 |
| DCH103M46Y5VP68L7A0 | 2KVDC | 10000 | ±20%    | Y5V | 12.3 | 5 | 7.5  | 0.55±0.05 | 散件 |
| DCH103M46Y5VP6DL5A0 | 2KVDC | 10000 | ±20%    | Y5V | 12.3 | 5 | 5.0  | 0.55±0.05 | 散件 |
| DCH103M56Y5VR6BL0A0 | 3KVDC | 10000 | ±20%    | Y5V | 14.7 | 6 | 10.0 | 0.55±0.05 | 散件 |
| DCH103M56Y5VR6BL7A0 | 3KVDC | 10000 | ±20%    | Y5V | 14.7 | 6 | 7.5  | 0.55±0.05 | 散件 |
| DCH103M56Y5VR6GL7A0 | 3KVDC | 10000 | ±20%    | Y5V | 14.7 | 6 | 7.5  | 0.55±0.05 | 散件 |

|                     |       |       |         |     |      |   |      |           |    |
|---------------------|-------|-------|---------|-----|------|---|------|-----------|----|
| DCH103M56Y5VR6WL7A0 | 3KVDC | 10000 | ±20%    | Y5V | 14.7 | 6 | 7.5  | 0.55±0.05 | 散件 |
| DCH103Z36Y5VN60L0A0 | 1KVDC | 10000 | 80%-20% | Y5V | 9.8  | 4 | 10.0 | 0.55±0.05 | 散件 |
| DCH103Z36Y5VN65L0A0 | 1KVDC | 10000 | 80%-20% | Y5V | 9.8  | 4 | 10.0 | 0.55±0.05 | 散件 |
| DCH103Z36Y5VN6BL0A0 | 1KVDC | 10000 | 80%-20% | Y5V | 9.8  | 4 | 10.0 | 0.55±0.05 | 散件 |
| DCH103Z36Y5VN6DJ7A0 | 1KVDC | 10000 | 80%-20% | Y5V | 9.8  | 4 | 7.5  | 0.55±0.05 | 散件 |
| DCH103Z36Y5VN6FJ5A0 | 1KVDC | 10000 | 80%-20% | Y5V | 9.8  | 4 | 5.0  | 0.55±0.05 | 编带 |
| DCH103Z36Y5VN6FJ5C8 | 1KVDC | 10000 | 80%-20% | Y5V | 9.8  | 4 | 5.0  | 0.55±0.05 | 编带 |
| DCH103Z36Y5VN6VK7A0 | 1KVDC | 10000 | 80%-20% | Y5V | 9.8  | 4 | 7.5  | 0.55±0.05 | 编带 |
| DCH103Z36Y5VN6VK7C8 | 1KVDC | 10000 | 80%-20% | Y5V | 9.8  | 4 | 7.5  | 0.55±0.05 | 编带 |
| DCH103Z36Y5VN6WJ0A0 | 1KVDC | 10000 | 80%-20% | Y5V | 9.8  | 4 | 10.0 | 0.55±0.05 | 散件 |
| DCH103Z46Y5VP65W0A0 | 2KVDC | 10000 | 80%-20% | Y5V | 12.3 | 5 | 10.0 | 0.55±0.05 | 散件 |
| DCH103Z46Y5VP6BL0A0 | 2KVDC | 10000 | 80%-20% | Y5V | 12.3 | 5 | 10.0 | 0.55±0.05 | 散件 |
| DCH103Z46Y5VP6BL7A0 | 2KVDC | 10000 | 80%-20% | Y5V | 12.3 | 5 | 7.5  | 0.55±0.05 | 散件 |
| DCH103Z46Y5VP6CL0A0 | 2KVDC | 10000 | 80%-20% | Y5V | 12.3 | 5 | 10.0 | 0.55±0.05 | 散件 |
| DCH103Z46Y5VP6UL7A0 | 2KVDC | 10000 | 80%-20% | Y5V | 12.3 | 5 | 7.5  | 0.55±0.05 | 编带 |
| DCH103Z56Y5VR6BL0A0 | 3KVDC | 10000 | 80%-20% | Y5V | 14.7 | 6 | 10.0 | 0.55±0.05 | 散件 |
| DCH120K26SL P6FJ5A0 | 2KVDC | 12    | ±10%    | SL  | 6.8  | 5 | 5.0  | 0.55±0.05 | 编带 |
| DCH121K22Y5PN6FJ5A0 | 1KVDC | 120   | ±10%    | Y5P | 5.5  | 4 | 5.0  | 0.55±0.05 | 编带 |
| DCH150K22COHN6FL5A0 | 1KVDC | 15    | ±10%    | COH | 5.5  | 4 | 5.0  | 0.55±0.05 | 编带 |
| DCH151K22Y5PN6BL5A0 | 1KVDC | 150   | ±10%    | Y5P | 5.5  | 4 | 5.0  | 0.55±0.05 | 散件 |
| DCH151K22Y5PN6FJ5A0 | 1KVDC | 150   | ±10%    | Y5P | 5.5  | 4 | 5.0  | 0.55±0.05 | 编带 |
| DCH151K22Y5PN6FL5A0 | 1KVDC | 150   | ±10%    | Y5P | 5.5  | 4 | 5.0  | 0.55±0.05 | 编带 |
| DCH151K22Y5PN6WL5A0 | 1KVDC | 150   | ±10%    | Y5P | 5.5  | 4 | 5.0  | 0.55±0.05 | 散件 |
| DCH151K26Y5PPEFJ5A0 | 2KVDC | 150   | ±10%    | Y5P | 6.8  | 5 | 5.0  | 0.58Cu 线  | 编带 |
| DCH151K26YR P6FJ5C8 | 2KVDC | 150   | ±10%    | YR  | 6.8  | 5 | 5.0  | 0.55±0.05 | 编带 |

|                     |       |       |      |     |      |   |      |           |    |
|---------------------|-------|-------|------|-----|------|---|------|-----------|----|
| DCH151K26YR P6FJ5G8 | 2KVDC | 150   | ±10% | YR  | 6.8  | 5 | 5.0  | 0.55±0.05 | 编带 |
| DCH152K34Y5P16FJ5A0 | 1KVDC | 1500  | ±10% | Y5P | 9    | 4 | 5.0  | 0.55±0.05 | 编带 |
| DCH152K34Y5PN6FJ5A0 | 1KVDC | 1500  | ±10% | Y5P | 9    | 4 | 5.0  | 0.55±0.05 | 编带 |
| DCH152K34Y5PN6FJ5C8 | 1KVDC | 1500  | ±10% | Y5P | 9    | 4 | 5.0  | 0.55±0.05 | 编带 |
| DCH152K34Y5PN6FP5A0 | 1KVDC | 1500  | ±10% | Y5P | 9    | 4 | 5.0  | 0.55±0.05 | 编带 |
| DCH152K34Y5PN6WL5A0 | 1KVDC | 1500  | ±10% | Y5P | 9    | 4 | 5.0  | 0.55±0.05 | 散件 |
| DCH152K46Y5PR6BL0A0 | 3KVDC | 1500  | ±10% | Y5P | 12.3 | 6 | 10.0 | 0.55±0.05 | 散件 |
| DCH182K34Y5PN6FJ5A0 | 1KVDC | 1800  | ±10% | Y5P | 9    | 4 | 5.0  | 0.55±0.05 | 编带 |
| DCH203M69Y5VP6UL0A0 | 2KVDC | 20000 | ±20% | Y5V | 18   | 5 | 10.0 | 0.55±0.05 | 编带 |
| DCH220K22COH16FJ5A0 | 1KVDC | 22    | ±10% | COH | 5.5  | 4 | 5.0  | 0.55±0.05 | 编带 |
| DCH220K22SL N60L5C8 | 1KVDC | 22    | ±10% | SL  | 5.5  | 4 | 5.0  | 0.55±0.05 | 散件 |
| DCH220K22SL N6FJ5A0 | 1KVDC | 22    | ±10% | SL  | 5.5  | 4 | 5.0  | 0.55±0.05 | 编带 |
| DCH220K22SL N6FJ5C8 | 1KVDC | 22    | ±10% | SL  | 5.5  | 4 | 5.0  | 0.55±0.05 | 编带 |
| DCH220K22SL N6JL5A0 | 1KVDC | 22    | ±10% | SL  | 5.5  | 4 | 5.0  | 0.55±0.05 | 散件 |
| DCH220K22SL N6WJ7A0 | 1KVDC | 22    | ±10% | SL  | 5.5  | 4 | 7.5  | 0.55±0.05 | 散件 |
| DCH220K22SL NEVJ7A0 | 1KVDC | 22    | ±10% | SL  | 5.5  | 4 | 7.5  | 0.58Cu 线  | 编带 |
| DCH220K22SL P6FJ5A0 | 2KVDC | 22    | ±10% | SL  | 5.5  | 5 | 5.0  | 0.55±0.05 | 编带 |
| DCH220K22SL PEFL5A0 | 2KVDC | 22    | ±10% | SL  | 5.5  | 5 | 5.0  | 0.58Cu 线  | 编带 |
| DCH220K22YR N6FH5GD | 1KVDC | 22    | ±10% | YR  | 5.5  | 4 | 5.0  | 0.55±0.05 | 编带 |
| DCH220K22YR N6FJ5C8 | 1KVDC | 22    | ±10% | YR  | 5.5  | 4 | 5.0  | 0.55±0.05 | 编带 |
| DCH221J34SL N6BL5A0 | 1KVDC | 220   | ±5%  | SL  | 9    | 4 | 5.0  | 0.55±0.05 | 散件 |
| DCH221J43SL P6FJ5A0 | 2KVDC | 220   | ±5%  | SL  | 11.5 | 5 | 5.0  | 0.55±0.05 | 编带 |
| DCH221K22X7R16FL5A0 | 1KVDC | 220   | ±10% | X7R | 5.5  | 4 | 5.0  | 0.55±0.05 | 编带 |
| DCH221K22Y5P16FJ5A0 | 1KVDC | 220   | ±10% | Y5P | 5.5  | 4 | 5.0  | 0.55±0.05 | 编带 |
| DCH221K22Y5PN60L5C8 | 1KVDC | 220   | ±10% | Y5P | 5.5  | 4 | 5.0  | 0.55±0.05 | 散件 |



|                     |       |     |      |     |     |   |      |           |    |
|---------------------|-------|-----|------|-----|-----|---|------|-----------|----|
| DCH221K22Y5PN6BL5A0 | 1KVDC | 220 | ±10% | Y5P | 5.5 | 4 | 5.0  | 0.55±0.05 | 散件 |
| DCH221K22Y5PN6DL5A0 | 1KVDC | 220 | ±10% | Y5P | 5.5 | 4 | 5.0  | 0.55±0.05 | 散件 |
| DCH221K22Y5PN6FJ5C8 | 1KVDC | 220 | ±10% | Y5P | 5.5 | 4 | 5.0  | 0.55±0.05 | 编带 |
| DCH221K22Y5PN6FK5A0 | 1KVDC | 220 | ±10% | Y5P | 5.5 | 4 | 5.0  | 0.55±0.05 | 编带 |
| DCH221K22Y5PN6FL5A0 | 1KVDC | 220 | ±10% | Y5P | 5.5 | 4 | 5.0  | 0.55±0.05 | 编带 |
| DCH221K22Y5PN6FL5BU | 1KVDC | 220 | ±10% | Y5P | 5.5 | 4 | 5.0  | 0.55±0.05 | 编带 |
| DCH221K22Y5PN6FL7BU | 1KVDC | 220 | ±10% | Y5P | 5.5 | 4 | 7.5  | 0.55±0.05 | 编带 |
| DCH221K22Y5PN6JL5A0 | 1KVDC | 220 | ±10% | Y5P | 5.5 | 4 | 5.0  | 0.55±0.05 | 散件 |
| DCH221K22Y5PN6WJ5A0 | 1KVDC | 220 | ±10% | Y5P | 5.5 | 4 | 5.0  | 0.55±0.05 | 散件 |
| DCH221K22Y5PN6WP5A0 | 1KVDC | 220 | ±10% | Y5P | 5.5 | 4 | 5.0  | 0.55±0.05 | 散件 |
| DCH221K22Y5PNEFJ5A0 | 1KVDC | 220 | ±10% | Y5P | 5.5 | 4 | 5.0  | 0.58Cu 线  | 编带 |
| DCH221K22YP N6FL5A0 | 1KVDC | 220 | ±10% | YP  | 5.5 | 4 | 5.0  | 0.55±0.05 | 编带 |
| DCH221K22YR N6DL5A0 | 1KVDC | 220 | ±10% | YR  | 5.5 | 4 | 5.0  | 0.55±0.05 | 散件 |
| DCH221K22YR N6FH5GD | 1KVDC | 220 | ±10% | YR  | 5.5 | 4 | 5.0  | 0.55±0.05 | 编带 |
| DCH221K22YR N6FJ5A0 | 1KVDC | 220 | ±10% | YR  | 5.5 | 4 | 5.0  | 0.55±0.05 | 编带 |
| DCH221K22YR N6FJ5C8 | 1KVDC | 220 | ±10% | YR  | 5.5 | 4 | 5.0  | 0.55±0.05 | 编带 |
| DCH221K22YR N6FJ5G8 | 1KVDC | 220 | ±10% | YR  | 5.5 | 4 | 5.0  | 0.55±0.05 | 编带 |
| DCH221K22YR N6FK5C8 | 1KVDC | 220 | ±10% | YR  | 5.5 | 4 | 5.0  | 0.55±0.05 | 编带 |
| DCH221K22YR N6FK5G8 | 1KVDC | 220 | ±10% | YR  | 5.5 | 4 | 5.0  | 0.55±0.05 | 编带 |
| DCH221K22YR N6FL5A0 | 1KVDC | 220 | ±10% | YR  | 5.5 | 4 | 5.0  | 0.55±0.05 | 编带 |
| DCH221K26Y5PP6BL5A0 | 2KVDC | 220 | ±10% | Y5P | 6.8 | 5 | 5.0  | 0.55±0.05 | 散件 |
| DCH221K26Y5PR6JK0C8 | 3KVDC | 220 | ±10% | Y5P | 6.8 | 6 | 10.0 | 0.55±0.05 | 散件 |
| DCH221K26Y5PR6VK7A0 | 3KVDC | 220 | ±10% | Y5P | 6.8 | 6 | 7.5  | 0.55±0.05 | 编带 |
| DCH221K26Y5PR6VK7C8 | 3KVDC | 220 | ±10% | Y5P | 6.8 | 6 | 7.5  | 0.55±0.05 | 编带 |
| DCH221K26YP P6FJ5CX | 2KVDC | 220 | ±10% | YP  | 6.8 | 5 | 5.0  | 0.55±0.05 | 编带 |

|                     |       |      |      |     |     |   |     |           |    |
|---------------------|-------|------|------|-----|-----|---|-----|-----------|----|
| DCH221K26YP P6FJ5EZ | 2KVDC | 220  | ±10% | YP  | 6.8 | 5 | 5.0 | 0.55±0.05 | 编带 |
| DCH221K26YR P6BL5A0 | 2KVDC | 220  | ±10% | YR  | 6.8 | 5 | 5.0 | 0.55±0.05 | 散件 |
| DCH221K26YR P6FH5GD | 2KVDC | 220  | ±10% | YR  | 6.8 | 5 | 5.0 | 0.55±0.05 | 编带 |
| DCH221K26YR P6FJ5A0 | 2KVDC | 220  | ±10% | YR  | 6.8 | 5 | 5.0 | 0.55±0.05 | 编带 |
| DCH221K26YR P6FJ5C8 | 2KVDC | 220  | ±10% | YR  | 6.8 | 5 | 5.0 | 0.55±0.05 | 编带 |
| DCH221K26YR P6FJ5G8 | 2KVDC | 220  | ±10% | YR  | 6.8 | 5 | 5.0 | 0.55±0.05 | 编带 |
| DCH221K26YR P6FL5A0 | 2KVDC | 220  | ±10% | YR  | 6.8 | 5 | 5.0 | 0.55±0.05 | 编带 |
| DCH221M22Y5UN6FJ5A0 | 1KVDC | 220  | ±20% | Y5U | 5.5 | 4 | 5.0 | 0.55±0.05 | 编带 |
| DCH222K36X7RN6FJ5B8 | 1KVDC | 2200 | ±10% | X7R | 9.8 | 4 | 5.0 | 0.55±0.05 | 编带 |
| DCH222K36Y5P15FJ5A0 | 1KVDC | 2200 | ±10% | Y5P | 9.8 | 4 | 5.0 | 0.48±0.05 | 编带 |
| DCH222K36Y5P163L5A0 | 1KVDC | 2200 | ±10% | Y5P | 9.8 | 4 | 5.0 | 0.55±0.05 | 散件 |
| DCH222K36Y5P16FJ5A0 | 1KVDC | 2200 | ±10% | Y5P | 9.8 | 4 | 5.0 | 0.55±0.05 | 编带 |
| DCH222K36Y5P16WJ5A0 | 1KVDC | 2200 | ±10% | Y5P | 9.8 | 4 | 5.0 | 0.55±0.05 | 散件 |
| DCH222K36Y5PN60L5C8 | 1KVDC | 2200 | ±10% | Y5P | 9.8 | 4 | 5.0 | 0.55±0.05 | 散件 |
| DCH222K36Y5PN6BL5A0 | 1KVDC | 2200 | ±10% | Y5P | 9.8 | 4 | 5.0 | 0.55±0.05 | 散件 |
| DCH222K36Y5PN6BL7A0 | 1KVDC | 2200 | ±10% | Y5P | 9.8 | 4 | 7.5 | 0.55±0.05 | 散件 |
| DCH222K36Y5PN6FJ5A0 | 1KVDC | 2200 | ±10% | Y5P | 9.8 | 4 | 5.0 | 0.55±0.05 | 编带 |
| DCH222K36Y5PN6FJ5BU | 1KVDC | 2200 | ±10% | Y5P | 9.8 | 4 | 5.0 | 0.55±0.05 | 编带 |
| DCH222K36Y5PN6FJ5C8 | 1KVDC | 2200 | ±10% | Y5P | 9.8 | 4 | 5.0 | 0.55±0.05 | 编带 |
| DCH222K36Y5PN6FJ7A0 | 1KVDC | 2200 | ±10% | Y5P | 9.8 | 4 | 7.5 | 0.55±0.05 | 编带 |
| DCH222K36Y5PN6FK5A0 | 1KVDC | 2200 | ±10% | Y5P | 9.8 | 4 | 5.0 | 0.55±0.05 | 编带 |
| DCH222K36Y5PN6FL5A0 | 1KVDC | 2200 | ±10% | Y5P | 9.8 | 4 | 5.0 | 0.55±0.05 | 编带 |
| DCH222K36Y5PN6FL5BU | 1KVDC | 2200 | ±10% | Y5P | 9.8 | 4 | 5.0 | 0.55±0.05 | 编带 |
| DCH222K36Y5PN6FL5C8 | 1KVDC | 2200 | ±10% | Y5P | 9.8 | 4 | 5.0 | 0.55±0.05 | 编带 |
| DCH222K36Y5PN6JL5A0 | 1KVDC | 2200 | ±10% | Y5P | 9.8 | 4 | 5.0 | 0.55±0.05 | 散件 |

|                     |       |      |      |     |      |   |      |           |    |
|---------------------|-------|------|------|-----|------|---|------|-----------|----|
| DCH222K36Y5PN6VK7C8 | 1KVDC | 2200 | ±10% | Y5P | 9.8  | 4 | 7.5  | 0.55±0.05 | 编带 |
| DCH222K36Y5PN6VL7A0 | 1KVDC | 2200 | ±10% | Y5P | 9.8  | 4 | 7.5  | 0.55±0.05 | 编带 |
| DCH222K36Y5PN6WK5A0 | 1KVDC | 2200 | ±10% | Y5P | 9.8  | 4 | 5.0  | 0.55±0.05 | 散件 |
| DCH222K36Y5PN6WL5A0 | 1KVDC | 2200 | ±10% | Y5P | 9.8  | 4 | 5.0  | 0.55±0.05 | 散件 |
| DCH222K36Y5PN6WL7A0 | 1KVDC | 2200 | ±10% | Y5P | 9.8  | 4 | 7.5  | 0.55±0.05 | 散件 |
| DCH222K36Y5PN6WP5A0 | 1KVDC | 2200 | ±10% | Y5P | 9.8  | 4 | 5.0  | 0.55±0.05 | 散件 |
| DCH222K36Y5PNBVK7A0 | 1KVDC | 2200 | ±10% | Y5P | 9.8  | 4 | 7.5  | 0.55±0.05 | 编带 |
| DCH222K36Y5PNE8L5A0 | 1KVDC | 2200 | ±10% | Y5P | 9.8  | 4 | 5.0  | 0.58Cu 线  | 散件 |
| DCH222K36Y5PNEFJ5A0 | 1KVDC | 2200 | ±10% | Y5P | 9.8  | 4 | 5.0  | 0.58Cu 线  | 编带 |
| DCH222K36Y5PNEFL5A0 | 1KVDC | 2200 | ±10% | Y5P | 9.8  | 4 | 5.0  | 0.58Cu 线  | 编带 |
| DCH222K36Y5PNEWL7A0 | 1KVDC | 2200 | ±10% | Y5P | 9.8  | 4 | 7.5  | 0.58Cu 线  | 散件 |
| DCH222K46X7RN6FL5A0 | 1KVDC | 2200 | ±10% | X7R | 12.3 | 4 | 5.0  | 0.55±0.05 | 编带 |
| DCH222K46Y5PP6BL0A0 | 2KVDC | 2200 | ±10% | Y5P | 12.3 | 5 | 10.0 | 0.55±0.05 | 散件 |
| DCH222K46Y5PP6BL5A0 | 2KVDC | 2200 | ±10% | Y5P | 12.3 | 5 | 5.0  | 0.55±0.05 | 散件 |
| DCH222K46Y5PP6BL7A0 | 2KVDC | 2200 | ±10% | Y5P | 12.3 | 5 | 7.5  | 0.55±0.05 | 散件 |
| DCH222K46YR N6FJ5C8 | 1KVDC | 2200 | ±10% | YR  | 12.3 | 4 | 5.0  | 0.55±0.05 | 编带 |
| DCH222K46YR N6VK7A0 | 1KVDC | 2200 | ±10% | YR  | 12.3 | 4 | 7.5  | 0.55±0.05 | 编带 |
| DCH222K46YR N6WL7A0 | 1KVDC | 2200 | ±10% | YR  | 12.3 | 4 | 7.5  | 0.55±0.05 | 散件 |
| DCH222K46YR NEFJ5A0 | 1KVDC | 2200 | ±10% | YR  | 12.3 | 4 | 5.0  | 0.58Cu 线  | 编带 |
| DCH222K46YR NEVJ7A0 | 1KVDC | 2200 | ±10% | YR  | 12.3 | 4 | 7.5  | 0.58Cu 线  | 编带 |
| DCH222K46YR NEWJ7A0 | 1KVDC | 2200 | ±10% | YR  | 12.3 | 4 | 7.5  | 0.58Cu 线  | 散件 |
| DCH222K46YR NEWL7A0 | 1KVDC | 2200 | ±10% | YR  | 12.3 | 4 | 7.5  | 0.58Cu 线  | 散件 |
| DCH222M22Y5VN6FJ5A0 | 1KVDC | 2200 | ±20% | Y5V | 5.5  | 4 | 5.0  | 0.55±0.05 | 编带 |
| DCH222M22Y5VN6FJ5BU | 1KVDC | 2200 | ±20% | Y5V | 5.5  | 4 | 5.0  | 0.55±0.05 | 编带 |
| DCH222M22Y5VN6WL5A0 | 1KVDC | 2200 | ±20% | Y5V | 5.5  | 4 | 5.0  | 0.55±0.05 | 散件 |

|                     |       |       |         |     |      |   |      |           |    |
|---------------------|-------|-------|---------|-----|------|---|------|-----------|----|
| DCH222M30Y5UN65L5A0 | 1KVDC | 2200  | ±20%    | Y5U | 7.8  | 4 | 5.0  | 0.55±0.05 | 散件 |
| DCH222M30Y5UN6BL5A0 | 1KVDC | 2200  | ±20%    | Y5U | 7.8  | 4 | 5.0  | 0.55±0.05 | 散件 |
| DCH222M30Y5UN6BL7A0 | 1KVDC | 2200  | ±20%    | Y5U | 7.8  | 4 | 7.5  | 0.55±0.05 | 散件 |
| DCH222M30Y5UN6CW7A0 | 1KVDC | 2200  | ±20%    | Y5U | 7.8  | 4 | 7.5  | 0.55±0.05 | 散件 |
| DCH222M30Y5UN6DL5A0 | 1KVDC | 2200  | ±20%    | Y5U | 7.8  | 4 | 5.0  | 0.55±0.05 | 散件 |
| DCH222M30Y5UN6FJ5A0 | 1KVDC | 2200  | ±20%    | Y5U | 7.8  | 4 | 5.0  | 0.55±0.05 | 编带 |
| DCH222M30Y5UN6VJ7A0 | 1KVDC | 2200  | ±20%    | Y5U | 7.8  | 4 | 7.5  | 0.55±0.05 | 编带 |
| DCH222M30Y5UN6WL5A0 | 1KVDC | 2200  | ±20%    | Y5U | 7.8  | 4 | 5.0  | 0.55±0.05 | 散件 |
| DCH222M36Y5UR6BK7A0 | 3KVDC | 2200  | ±20%    | Y5U | 9.8  | 6 | 7.5  | 0.55±0.05 | 散件 |
| DCH222M36Y5UR6BL7A0 | 3KVDC | 2200  | ±20%    | Y5U | 9.8  | 6 | 7.5  | 0.55±0.05 | 散件 |
| DCH222M36Y5UR6JK7A0 | 3KVDC | 2200  | ±20%    | Y5U | 9.8  | 6 | 7.5  | 0.55±0.05 | 散件 |
| DCH222M36Y5UR6VK7A0 | 3KVDC | 2200  | ±20%    | Y5U | 9.8  | 6 | 7.5  | 0.55±0.05 | 编带 |
| DCH222M36Y5UREVL7A0 | 3KVDC | 2200  | ±20%    | Y5U | 9.8  | 6 | 7.5  | 0.58Cu 线  | 编带 |
| DCH222Z30Y5VP6BL5A0 | 2KVDC | 2200  | 80%-20% | Y5V | 7.8  | 5 | 5.0  | 0.55±0.05 | 散件 |
| DCH223M56Y5VN6UJ7A0 | 1KVDC | 22000 | ±20%    | Y5V | 14.7 | 4 | 7.5  | 0.55±0.05 | 编带 |
| DCH223M56Y5VN6UL7A0 | 1KVDC | 22000 | ±20%    | Y5V | 14.7 | 4 | 7.5  | 0.55±0.05 | 编带 |
| DCH223M56Y5VN6WL7A0 | 1KVDC | 22000 | ±20%    | Y5V | 14.7 | 4 | 7.5  | 0.55±0.05 | 散件 |
| DCH223M56Y5VN6WP7A0 | 1KVDC | 22000 | ±20%    | Y5V | 14.7 | 4 | 7.5  | 0.55±0.05 | 散件 |
| DCH223Z56Y5VN6BL0A0 | 1KVDC | 22000 | 80%-20% | Y5V | 14.7 | 4 | 10.0 | 0.55±0.05 | 散件 |
| DCH330K22SL N6FJ5A0 | 1KVDC | 33    | ±10%    | SL  | 5.5  | 4 | 5.0  | 0.55±0.05 | 编带 |
| DCH330K22SL N6FK5G8 | 1KVDC | 33    | ±10%    | SL  | 5.5  | 4 | 5.0  | 0.55±0.05 | 编带 |
| DCH330K22SL N6FL5A0 | 1KVDC | 33    | ±10%    | SL  | 5.5  | 4 | 5.0  | 0.55±0.05 | 编带 |
| DCH330K22SL N6FL5BU | 1KVDC | 33    | ±10%    | SL  | 5.5  | 4 | 5.0  | 0.55±0.05 | 编带 |
| DCH330K22SL NEFJ5A0 | 1KVDC | 33    | ±10%    | SL  | 5.5  | 4 | 5.0  | 0.58Cu 线  | 编带 |
| DCH330K22SL P6FJ5G8 | 2KVDC | 33    | ±10%    | SL  | 5.5  | 5 | 5.0  | 0.55±0.05 | 编带 |

|                     |       |      |         |     |      |   |      |           |    |
|---------------------|-------|------|---------|-----|------|---|------|-----------|----|
| DCH330K22YR N6FJ5G8 | 1KVDC | 33   | ±10%    | YR  | 5.5  | 4 | 5.0  | 0.55±0.05 | 编带 |
| DCH330K22YR P6FJ5C8 | 2KVDC | 33   | ±10%    | YR  | 5.5  | 5 | 5.0  | 0.55±0.05 | 编带 |
| DCH330K26SL R6VK7C8 | 3KVDC | 33   | ±10%    | SL  | 6.8  | 6 | 7.5  | 0.55±0.05 | 编带 |
| DCH331K22Y5PN60L5C8 | 1KVDC | 330  | ±10%    | Y5P | 5.5  | 4 | 5.0  | 0.55±0.05 | 散件 |
| DCH331K22Y5PN6BL5A0 | 1KVDC | 330  | ±10%    | Y5P | 5.5  | 4 | 5.0  | 0.55±0.05 | 散件 |
| DCH331K22Y5PN6FK5C8 | 1KVDC | 330  | ±10%    | Y5P | 5.5  | 4 | 5.0  | 0.55±0.05 | 编带 |
| DCH331K22Y5PN6FL5A0 | 1KVDC | 330  | ±10%    | Y5P | 5.5  | 4 | 5.0  | 0.55±0.05 | 编带 |
| DCH331K22YR N6FH5GD | 1KVDC | 330  | ±10%    | YR  | 5.5  | 4 | 5.0  | 0.55±0.05 | 编带 |
| DCH331K22YR N6FJ5G8 | 1KVDC | 330  | ±10%    | YR  | 5.5  | 4 | 5.0  | 0.55±0.05 | 编带 |
| DCH331K22YR N6FK5G8 | 1KVDC | 330  | ±10%    | YR  | 5.5  | 4 | 5.0  | 0.55±0.05 | 编带 |
| DCH331K26Y5PP6FK5A0 | 2KVDC | 330  | ±10%    | Y5P | 6.8  | 5 | 5.0  | 0.55±0.05 | 编带 |
| DCH331K26Y5PP6VK7C8 | 2KVDC | 330  | ±10%    | Y5P | 6.8  | 5 | 7.5  | 0.55±0.05 | 编带 |
| DCH331K26Y5PR6VK7A0 | 3KVDC | 330  | ±10%    | Y5P | 6.8  | 6 | 7.5  | 0.55±0.05 | 编带 |
| DCH331K26Y5PR6VK7C8 | 3KVDC | 330  | ±10%    | Y5P | 6.8  | 6 | 7.5  | 0.55±0.05 | 编带 |
| DCH331K30YR P6FJ5C8 | 2KVDC | 330  | ±10%    | YR  | 7.8  | 5 | 5.0  | 0.55±0.05 | 编带 |
| DCH332K46Y5PN6BL0A0 | 1KVDC | 3300 | ±10%    | Y5P | 12.3 | 4 | 10.0 | 0.55±0.05 | 散件 |
| DCH332K46Y5PN6BL5A0 | 1KVDC | 3300 | ±10%    | Y5P | 12.3 | 4 | 5.0  | 0.55±0.05 | 散件 |
| DCH332K53Y5PP65L0A0 | 2KVDC | 3300 | ±10%    | Y5P | 14   | 5 | 10.0 | 0.55±0.05 | 散件 |
| DCH332K53Y5PP6BL0A0 | 2KVDC | 3300 | ±10%    | Y5P | 14   | 5 | 10.0 | 0.55±0.05 | 散件 |
| DCH332Z26Y5VN6BL5A0 | 1KVDC | 3300 | 80%-20% | Y5V | 6.8  | 4 | 5.0  | 0.55±0.05 | 散件 |
| DCH332Z26Y5VN6FJ5A0 | 1KVDC | 3300 | 80%-20% | Y5V | 6.8  | 4 | 5.0  | 0.55±0.05 | 编带 |
| DCH332Z26Y5VN6FJ5EE | 1KVDC | 3300 | 80%-20% | Y5V | 6.8  | 4 | 5.0  | 0.55±0.05 | 编带 |
| DCH470J22SL N6FJ5A0 | 1KVDC | 47   | ±5%     | SL  | 5.5  | 4 | 5.0  | 0.55±0.05 | 编带 |
| DCH470J22SL N6FK5G8 | 1KVDC | 47   | ±5%     | SL  | 5.5  | 4 | 5.0  | 0.55±0.05 | 编带 |
| DCH470J22SL N6FL5A0 | 1KVDC | 47   | ±5%     | SL  | 5.5  | 4 | 5.0  | 0.55±0.05 | 编带 |

|                     |       |     |      |     |     |   |     |           |    |
|---------------------|-------|-----|------|-----|-----|---|-----|-----------|----|
| DCH470J22SL N6FP5A0 | 1KVDC | 47  | ±5%  | SL  | 5.5 | 4 | 5.0 | 0.55±0.05 | 编带 |
| DCH470K22SL N6BL5A0 | 1KVDC | 47  | ±10% | SL  | 5.5 | 4 | 5.0 | 0.55±0.05 | 散件 |
| DCH470K22SL N6FJ5A0 | 1KVDC | 47  | ±10% | SL  | 5.5 | 4 | 5.0 | 0.55±0.05 | 编带 |
| DCH470K22SL N6FJ5C8 | 1KVDC | 47  | ±10% | SL  | 5.5 | 4 | 5.0 | 0.55±0.05 | 编带 |
| DCH470K22SL N6FL5A0 | 1KVDC | 47  | ±10% | SL  | 5.5 | 4 | 5.0 | 0.55±0.05 | 编带 |
| DCH470K22SL N6WJ5A0 | 1KVDC | 47  | ±10% | SL  | 5.5 | 4 | 5.0 | 0.55±0.05 | 散件 |
| DCH470K22SL N6WL5A0 | 1KVDC | 47  | ±10% | SL  | 5.5 | 4 | 5.0 | 0.55±0.05 | 散件 |
| DCH470K22SL NEFL5A0 | 1KVDC | 47  | ±10% | SL  | 5.5 | 4 | 5.0 | 0.58Cu 线  | 编带 |
| DCH470K22Y5P16FJ5A0 | 1KVDC | 47  | ±10% | Y5P | 5.5 | 4 | 5.0 | 0.55±0.05 | 编带 |
| DCH470K22Y5PN6FJ5EZ | 1KVDC | 47  | ±10% | Y5P | 5.5 | 4 | 5.0 | 0.55±0.05 | 编带 |
| DCH470K22YR N6FH5GD | 1KVDC | 47  | ±10% | YR  | 5.5 | 4 | 5.0 | 0.55±0.05 | 编带 |
| DCH470K22YR N6FJ5C8 | 1KVDC | 47  | ±10% | YR  | 5.5 | 4 | 5.0 | 0.55±0.05 | 编带 |
| DCH470K22YR N6FJ5G8 | 1KVDC | 47  | ±10% | YR  | 5.5 | 4 | 5.0 | 0.55±0.05 | 编带 |
| DCH470K22YR P6FH5GD | 2KVDC | 47  | ±10% | YR  | 5.5 | 5 | 5.0 | 0.55±0.05 | 编带 |
| DCH470K22YR P6FJ5EE | 2KVDC | 47  | ±10% | YR  | 5.5 | 5 | 5.0 | 0.55±0.05 | 编带 |
| DCH470K22YR P6FJ5G8 | 2KVDC | 47  | ±10% | YR  | 5.5 | 5 | 5.0 | 0.55±0.05 | 编带 |
| DCH470K22YR P6FL5A0 | 2KVDC | 47  | ±10% | YR  | 5.5 | 5 | 5.0 | 0.55±0.05 | 编带 |
| DCH470K26Y5PP6FJ5A0 | 2KVDC | 47  | ±10% | Y5P | 6.8 | 5 | 5.0 | 0.55±0.05 | 编带 |
| DCH470K30SL R6WL7A0 | 3KVDC | 47  | ±10% | SL  | 7.8 | 6 | 7.5 | 0.55±0.05 | 散件 |
| DCH471K22Y5P16FJ5A0 | 1KVDC | 470 | ±10% | Y5P | 5.5 | 4 | 5.0 | 0.55±0.05 | 编带 |
| DCH471K22Y5P16FJ5DB | 1KVDC | 470 | ±10% | Y5P | 5.5 | 4 | 5.0 | 0.55±0.05 | 编带 |
| DCH471K22Y5PN60L5C8 | 1KVDC | 470 | ±10% | Y5P | 5.5 | 4 | 5.0 | 0.55±0.05 | 散件 |
| DCH471K22Y5PN6BL5A0 | 1KVDC | 470 | ±10% | Y5P | 5.5 | 4 | 5.0 | 0.55±0.05 | 散件 |
| DCH471K22Y5PN6CL5A0 | 1KVDC | 470 | ±10% | Y5P | 5.5 | 4 | 5.0 | 0.55±0.05 | 散件 |
| DCH471K22Y5PN6DL5A0 | 1KVDC | 470 | ±10% | Y5P | 5.5 | 4 | 5.0 | 0.55±0.05 | 散件 |

|                     |       |     |      |     |     |   |     |           |    |
|---------------------|-------|-----|------|-----|-----|---|-----|-----------|----|
| DCH471K22Y5PN6FJ5BU | 1KVDC | 470 | ±10% | Y5P | 5.5 | 4 | 5.0 | 0.55±0.05 | 编带 |
| DCH471K22Y5PN6FJ5C8 | 1KVDC | 470 | ±10% | Y5P | 5.5 | 4 | 5.0 | 0.55±0.05 | 编带 |
| DCH471K22Y5PN6FJ5EZ | 1KVDC | 470 | ±10% | Y5P | 5.5 | 4 | 5.0 | 0.55±0.05 | 编带 |
| DCH471K22Y5PN6FL5A0 | 1KVDC | 470 | ±10% | Y5P | 5.5 | 4 | 5.0 | 0.55±0.05 | 编带 |
| DCH471K22Y5PN6FL5BU | 1KVDC | 470 | ±10% | Y5P | 5.5 | 4 | 5.0 | 0.55±0.05 | 编带 |
| DCH471K22Y5PN6VK7A0 | 1KVDC | 470 | ±10% | Y5P | 5.5 | 4 | 7.5 | 0.55±0.05 | 编带 |
| DCH471K22Y5PN6WK5A0 | 1KVDC | 470 | ±10% | Y5P | 5.5 | 4 | 5.0 | 0.55±0.05 | 散件 |
| DCH471K22Y5PN6WK7A0 | 1KVDC | 470 | ±10% | Y5P | 5.5 | 4 | 7.5 | 0.55±0.05 | 散件 |
| DCH471K22Y5PN6WL5A0 | 1KVDC | 470 | ±10% | Y5P | 5.5 | 4 | 5.0 | 0.55±0.05 | 散件 |
| DCH471K22Y5PNBFJ5A0 | 1KVDC | 470 | ±10% | Y5P | 5.5 | 4 | 5.0 | 0.55±0.05 | 编带 |
| DCH471K22Y5PNEFJ5A0 | 1KVDC | 470 | ±10% | Y5P | 5.5 | 4 | 5.0 | 0.58Cu 线  | 编带 |
| DCH471K22Y5PNEVJ7A0 | 1KVDC | 470 | ±10% | Y5P | 5.5 | 4 | 7.5 | 0.58Cu 线  | 编带 |
| DCH471K22YP N6FJ5EZ | 1KVDC | 470 | ±10% | YP  | 5.5 | 4 | 5.0 | 0.55±0.05 | 编带 |
| DCH471K22YP N6FL5A0 | 1KVDC | 470 | ±10% | YP  | 5.5 | 4 | 5.0 | 0.55±0.05 | 编带 |
| DCH471K26Y5PP60L5C8 | 2KVDC | 470 | ±10% | Y5P | 6.8 | 5 | 5.0 | 0.55±0.05 | 散件 |
| DCH471K26Y5PP60L7C8 | 2KVDC | 470 | ±10% | Y5P | 6.8 | 5 | 7.5 | 0.55±0.05 | 散件 |
| DCH471K26Y5PP6DK5A0 | 2KVDC | 470 | ±10% | Y5P | 6.8 | 5 | 5.0 | 0.55±0.05 | 散件 |
| DCH471K26Y5PP6FJ5A0 | 2KVDC | 470 | ±10% | Y5P | 6.8 | 5 | 5.0 | 0.55±0.05 | 编带 |
| DCH471K26Y5PP6FJ5C8 | 2KVDC | 470 | ±10% | Y5P | 6.8 | 5 | 5.0 | 0.55±0.05 | 编带 |
| DCH471K26Y5PP6FJ7A0 | 2KVDC | 470 | ±10% | Y5P | 6.8 | 5 | 7.5 | 0.55±0.05 | 编带 |
| DCH471K26Y5PP6JL5A0 | 2KVDC | 470 | ±10% | Y5P | 6.8 | 5 | 5.0 | 0.55±0.05 | 散件 |
| DCH471K26Y5PP6VK7C8 | 2KVDC | 470 | ±10% | Y5P | 6.8 | 5 | 7.5 | 0.55±0.05 | 编带 |
| DCH471K26Y5PP6WJ5A0 | 2KVDC | 470 | ±10% | Y5P | 6.8 | 5 | 5.0 | 0.55±0.05 | 散件 |
| DCH471K26YR N6BL5A0 | 1KVDC | 470 | ±10% | YR  | 6.8 | 4 | 5.0 | 0.55±0.05 | 散件 |
| DCH471K26YR N6DK5A0 | 1KVDC | 470 | ±10% | YR  | 6.8 | 4 | 5.0 | 0.55±0.05 | 散件 |

|                     |       |      |      |     |     |   |      |           |    |
|---------------------|-------|------|------|-----|-----|---|------|-----------|----|
| DCH471K26YR N6DL5A0 | 1KVDC | 470  | ±10% | YR  | 6.8 | 4 | 5.0  | 0.55±0.05 | 散件 |
| DCH471K26YR N6FH5GD | 1KVDC | 470  | ±10% | YR  | 6.8 | 4 | 5.0  | 0.55±0.05 | 编带 |
| DCH471K26YR N6FJ5A0 | 1KVDC | 470  | ±10% | YR  | 6.8 | 4 | 5.0  | 0.55±0.05 | 编带 |
| DCH471K26YR N6FJ5C8 | 1KVDC | 470  | ±10% | YR  | 6.8 | 4 | 5.0  | 0.55±0.05 | 编带 |
| DCH471K26YR N6FJ5G8 | 1KVDC | 470  | ±10% | YR  | 6.8 | 4 | 5.0  | 0.55±0.05 | 编带 |
| DCH471K26YR N6FK5G8 | 1KVDC | 470  | ±10% | YR  | 6.8 | 4 | 5.0  | 0.55±0.05 | 编带 |
| DCH471K26YR N6FL5A0 | 1KVDC | 470  | ±10% | YR  | 6.8 | 4 | 5.0  | 0.55±0.05 | 编带 |
| DCH471K26YR N6WL5A0 | 1KVDC | 470  | ±10% | YR  | 6.8 | 4 | 5.0  | 0.55±0.05 | 散件 |
| DCH471K26YR NEFJ5A0 | 1KVDC | 470  | ±10% | YR  | 6.8 | 4 | 5.0  | 0.58Cu 线  | 编带 |
| DCH471K26YR NEFL5A0 | 1KVDC | 470  | ±10% | YR  | 6.8 | 4 | 5.0  | 0.58Cu 线  | 编带 |
| DCH471K30Y5PR6BL5A0 | 3KVDC | 470  | ±10% | Y5P | 7.8 | 6 | 5.0  | 0.55±0.05 | 散件 |
| DCH471K30Y5PR6FK5A0 | 3KVDC | 470  | ±10% | Y5P | 7.8 | 6 | 5.0  | 0.55±0.05 | 编带 |
| DCH471K30Y5PR6VK7A0 | 3KVDC | 470  | ±10% | Y5P | 7.8 | 6 | 7.5  | 0.55±0.05 | 编带 |
| DCH471K30Y5PR6VK7C8 | 3KVDC | 470  | ±10% | Y5P | 7.8 | 6 | 7.5  | 0.55±0.05 | 编带 |
| DCH471K34YR P6FJ5A0 | 2KVDC | 470  | ±10% | YR  | 9   | 5 | 5.0  | 0.55±0.05 | 编带 |
| DCH471K34YR P6FJ5C8 | 2KVDC | 470  | ±10% | YR  | 9   | 5 | 5.0  | 0.55±0.05 | 编带 |
| DCH471M22Y5UN6WL5A0 | 1KVDC | 470  | ±20% | Y5U | 5.5 | 4 | 5.0  | 0.55±0.05 | 散件 |
| DCH472K49Y5PN6BL0A0 | 1KVDC | 4700 | ±10% | Y5P | 13  | 4 | 10.0 | 0.55±0.05 | 散件 |
| DCH472K49Y5PN6BL5A0 | 1KVDC | 4700 | ±10% | Y5P | 13  | 4 | 5.0  | 0.55±0.05 | 散件 |
| DCH472K49Y5PN6BL7A0 | 1KVDC | 4700 | ±10% | Y5P | 13  | 4 | 7.5  | 0.55±0.05 | 散件 |
| DCH472K49Y5PN6VJ7A0 | 1KVDC | 4700 | ±10% | Y5P | 13  | 4 | 7.5  | 0.55±0.05 | 编带 |
| DCH472K49Y5PN6VL7A0 | 1KVDC | 4700 | ±10% | Y5P | 13  | 4 | 7.5  | 0.55±0.05 | 编带 |
| DCH472K49Y5PN6WL5A0 | 1KVDC | 4700 | ±10% | Y5P | 13  | 4 | 5.0  | 0.55±0.05 | 散件 |
| DCH472K49Y5PN6WP7A0 | 1KVDC | 4700 | ±10% | Y5P | 13  | 4 | 7.5  | 0.55±0.05 | 散件 |
| DCH472M30Y5VN6FJ5BU | 1KVDC | 4700 | ±20% | Y5V | 7.8 | 4 | 5.0  | 0.55±0.05 | 编带 |



|                     |       |      |         |     |      |   |      |           |    |
|---------------------|-------|------|---------|-----|------|---|------|-----------|----|
| DCH472M30Y5VN6FL5A0 | 1KVDC | 4700 | ±20%    | Y5V | 7.8  | 4 | 5.0  | 0.55±0.05 | 编带 |
| DCH472M36Y5U16FJ5A0 | 1KVDC | 4700 | ±20%    | Y5U | 9.8  | 4 | 5.0  | 0.55±0.05 | 编带 |
| DCH472M36Y5UN6FJ5A0 | 1KVDC | 4700 | ±20%    | Y5U | 9.8  | 4 | 5.0  | 0.55±0.05 | 编带 |
| DCH472M36Y5UN6FL5AR | 1KVDC | 4700 | ±20%    | Y5U | 9.8  | 4 | 5.0  | 0.55±0.05 | 编带 |
| DCH472M36Y5UNEJ7A0  | 1KVDC | 4700 | ±20%    | Y5U | 9.8  | 4 | 7.5  | 0.58Cu 线  | 编带 |
| DCH472M36Y5VP6BL5A0 | 2KVDC | 4700 | ±20%    | Y5V | 9.8  | 5 | 5.0  | 0.55±0.05 | 散件 |
| DCH472M39Y5VR6BL7A0 | 3KVDC | 4700 | ±20%    | Y5V | 10.5 | 6 | 7.5  | 0.55±0.05 | 散件 |
| DCH472M46Y5UP6BL7A0 | 2KVDC | 4700 | ±20%    | Y5U | 12.3 | 5 | 7.5  | 0.55±0.05 | 散件 |
| DCH472M46Y5UP6FL5A0 | 2KVDC | 4700 | ±20%    | Y5U | 12.3 | 5 | 5.0  | 0.55±0.05 | 编带 |
| DCH472Z30Y5VN63L5A0 | 1KVDC | 4700 | 80%-20% | Y5V | 7.8  | 4 | 5.0  | 0.55±0.05 | 散件 |
| DCH472Z30Y5VN6BL5A0 | 1KVDC | 4700 | 80%-20% | Y5V | 7.8  | 4 | 5.0  | 0.55±0.05 | 散件 |
| DCH472Z30Y5VN6FJ5A0 | 1KVDC | 4700 | 80%-20% | Y5V | 7.8  | 4 | 5.0  | 0.55±0.05 | 编带 |
| DCH472Z30Y5VN6WL5A0 | 1KVDC | 4700 | 80%-20% | Y5V | 7.8  | 4 | 5.0  | 0.55±0.05 | 散件 |
| DCH472Z36Y5VP6BL5A0 | 2KVDC | 4700 | 80%-20% | Y5V | 9.8  | 5 | 5.0  | 0.55±0.05 | 散件 |
| DCH472Z39Y5VR6BL0A0 | 3KVDC | 4700 | 80%-20% | Y5V | 10.5 | 6 | 10.0 | 0.55±0.05 | 散件 |
| DCH509D26SL R6VK7C8 | 3KVDC | 5    | ±0.5PF  | SL  | 6.8  | 6 | 7.5  | 0.55±0.05 | 编带 |
| DCH561K22Y5PN6FL5A0 | 1KVDC | 560  | ±10%    | Y5P | 5.5  | 4 | 5.0  | 0.55±0.05 | 编带 |
| DCH680J26SL P6FJ5A0 | 2KVDC | 68   | ±5%     | SL  | 6.8  | 5 | 5.0  | 0.55±0.05 | 编带 |
| DCH680J26SL P6FK5A0 | 2KVDC | 68   | ±5%     | SL  | 6.8  | 5 | 5.0  | 0.55±0.05 | 编带 |
| DCH680K22SL N60L5C8 | 1KVDC | 68   | ±10%    | SL  | 5.5  | 4 | 5.0  | 0.55±0.05 | 散件 |
| DCH680K22SL N6FJ5A0 | 1KVDC | 68   | ±10%    | SL  | 5.5  | 4 | 5.0  | 0.55±0.05 | 编带 |
| DCH680K22SL N6FJ5C8 | 1KVDC | 68   | ±10%    | SL  | 5.5  | 4 | 5.0  | 0.55±0.05 | 编带 |
| DCH680K22SL N6FL5C8 | 1KVDC | 68   | ±10%    | SL  | 5.5  | 4 | 5.0  | 0.55±0.05 | 编带 |
| DCH680K22SL N6WL5A0 | 1KVDC | 68   | ±10%    | SL  | 5.5  | 4 | 5.0  | 0.55±0.05 | 散件 |
| DCH680K22Y5P16FJ5A0 | 1KVDC | 68   | ±10%    | Y5P | 5.5  | 4 | 5.0  | 0.55±0.05 | 编带 |

|                     |       |     |      |     |     |   |     |           |    |
|---------------------|-------|-----|------|-----|-----|---|-----|-----------|----|
| DCH680K22YR N6FJ5C8 | 1KVDC | 68  | ±10% | YR  | 5.5 | 4 | 5.0 | 0.55±0.05 | 编带 |
| DCH680K22YR N6FJ5G8 | 1KVDC | 68  | ±10% | YR  | 5.5 | 4 | 5.0 | 0.55±0.05 | 编带 |
| DCH680K30SL P6FJ5C8 | 2KVDC | 68  | ±10% | SL  | 7.8 | 5 | 5.0 | 0.55±0.05 | 编带 |
| DCH680K30SL P6VK7C8 | 2KVDC | 68  | ±10% | SL  | 7.8 | 5 | 7.5 | 0.55±0.05 | 编带 |
| DCH680K30SL PBFJ5A0 | 2KVDC | 68  | ±10% | SL  | 7.8 | 5 | 5.0 | 0.55±0.05 | 编带 |
| DCH680K36SL R6VK7C8 | 3KVDC | 68  | ±10% | SL  | 9.8 | 6 | 7.5 | 0.55±0.05 | 编带 |
| DCH681K26Y5PN6BL5A0 | 1KVDC | 680 | ±10% | Y5P | 6.8 | 4 | 5.0 | 0.55±0.05 | 散件 |
| DCH681K26Y5PN6DL5A0 | 1KVDC | 680 | ±10% | Y5P | 6.8 | 4 | 5.0 | 0.55±0.05 | 散件 |
| DCH681K26Y5PN6FJ5C8 | 1KVDC | 680 | ±10% | Y5P | 6.8 | 4 | 5.0 | 0.55±0.05 | 编带 |
| DCH681K26Y5PN6FJ5EZ | 1KVDC | 680 | ±10% | Y5P | 6.8 | 4 | 5.0 | 0.55±0.05 | 编带 |
| DCH681K26Y5PN6WL5A0 | 1KVDC | 680 | ±10% | Y5P | 6.8 | 4 | 5.0 | 0.55±0.05 | 散件 |
| DCH681K26Y5PNEWL5A0 | 1KVDC | 680 | ±10% | Y5P | 6.8 | 4 | 5.0 | 0.58Cu 线  | 散件 |
| DCH681K30Y5PP6FJ5CX | 2KVDC | 680 | ±10% | Y5P | 7.8 | 5 | 5.0 | 0.55±0.05 | 编带 |
| DCH681K30Y5PP6FJ5EZ | 2KVDC | 680 | ±10% | Y5P | 7.8 | 5 | 5.0 | 0.55±0.05 | 编带 |
| DCH681K30YR N6FJ5A0 | 1KVDC | 680 | ±10% | YR  | 7.8 | 4 | 5.0 | 0.55±0.05 | 编带 |
| DCH681K30YR N6FL5A0 | 1KVDC | 680 | ±10% | YR  | 7.8 | 4 | 5.0 | 0.55±0.05 | 编带 |

SHMR®

## 电性能指标 Electrical Performance

| 序号<br>No. | 项目名称 Item                             | 技术要求 Specification      |   |
|-----------|---------------------------------------|-------------------------|---|
| 1         | 容量和误差 C                               | @25°C, 1 kHz and 1 Vrms | 参照规格表<br>See the specification                      |
| 2         | 损耗系数 DF                               | @25°C, 1 kHz and 1 Vrms | 2.5% max.   |
| 3         | 绝缘电阻 IR                               | @500 VDC, 60S           | 10000MΩmin  |
| 4         | 耐电压<br>Rate<br>Voltage                | 1KV                     | 2U <sub>R</sub><br><br>无击穿或飞弧。<br>No visible damage |
|           |                                       | 2KV                     |   |
|           |                                       | 3KV                     |   |
| 5         | 温度特性<br>temperature<br>characteristic | SL                      | + 140~-1100 (10 <sup>-6</sup> /°C)                  |
|           |                                       | X7R/YR                  | ±15%  |
|           |                                       | Y5P                     | ±10%  |
|           |                                       | Y5U                     | +22% to -56%  |
|           |                                       | Y5V                     | +22% to -82%  |

## 标志 Marking

例如 e.g

|             | 30#号产品以下<br>≤ 30#   | 34#产品以上<br>≥ 34#  |
|-------------|---|---|
| 正面<br>Front |  |  |

|            |             |             |
|------------|-------------|-------------|
| 反面<br>Back | 空白<br>Blank | 空白<br>Blank |
|------------|-------------|-------------|

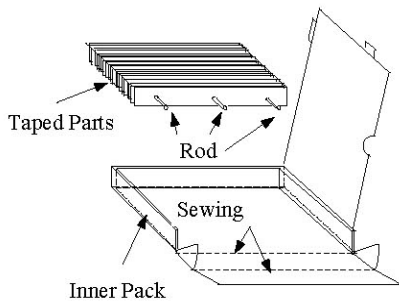
编带样式 **Taping style**

SHMR®

SHMR®

SHMR®

## TAPING STYLE F



- 1.\* For lead styles of inside kink and outside kink only
2. The lead sharp shall change with lead style.

| Symbol     | Dimension(mm)                          |
|------------|--|
| <b>P0</b>  | <b>12.7±0.2</b>                        |
| <b>P</b>   | <b>12.7±1.0</b>                        |
| <b>F</b>   | <b>5.0±0.5</b>                         |
| <b>P1</b>  | <b>3.85±0.4</b>                        |
| <b>P2</b>  | <b>6.35±0.4</b>                        |
| <b>H0</b>  | <b>16.0±0.5*</b>                       |
| <b>H</b>   | <b>20.0±0.5</b>                        |
| <b>W</b>   | <b>18.0±0.5</b>                        |
| <b>W0</b>  | <b>8.0min.</b>                         |
| <b>W1</b>  | <b>9.0±0.3</b>                         |
| <b>W2</b>  | <b>3.0max.</b>                         |
| <b>t</b>   | <b>0.7±0.2</b>                         |
| <b>D</b>   | <b>To comply with individual sheet</b> |
| <b>D0</b>  | <b>4±0.2</b>                           |
| <b>d</b>   | <b>To comply with individual sheet</b> |
| <b>l</b>   | <b>2.0max.</b>                         |
| <b>L</b>   | <b>11max.</b>                          |
| <b>T</b>   | <b>To comply with individual sheet</b> |
| <b>Δ S</b> | <b>0.5max.</b>                         |
| <b>Δ h</b> | <b>0.5max.</b>                         |

Figure 2

## TAPING STYLE V



| Symbol     | Dimension(mm)                   |
|------------|---------------------------------|
| <b>P0</b>  | <b>15.0±0.2</b>                 |
| <b>P</b>   | <b>15.0±1.0</b>                 |
| <b>F</b>   | <b>7.5±0.5</b>                  |
| <b>P1</b>  | <b>3.75±0.4</b>                 |
| <b>P2</b>  | <b>7.5±0.4</b>                  |
| <b>H0</b>  | <b>16.0±0.5*<sup>1</sup></b>    |
| <b>H</b>   | <b>20.0±0.5*<sup>2</sup></b>    |
| <b>W</b>   | <b>18.0±0.5</b>                 |
| <b>W0</b>  | <b>8.0min.</b>                  |
| <b>W1</b>  | <b>9.0±0.3</b>                  |
| <b>W2</b>  | <b>3.0max.</b>                  |
| <b>t</b>   | <b>0.7±0.2</b>                  |
| <b>D</b>   | To comply with individual sheet |
| <b>D0</b>  | <b>4±0.2</b>                    |
| <b>d</b>   | To comply with individual sheet |
| <b>l</b>   | <b>2.0max.</b>                  |
| <b>T</b>   | To comply with individual sheet |
| <b>Δ S</b> | <b>1.0 max.</b>                 |
| <b>Δ h</b> | <b>1.0 max.</b>                 |

1. \*1 打弯脚型以H0为准。

For kink lead only.

2. \*2 直角产品以H为准。

For straight lead only.

**Figure 3**

## X-ON Electronics

Largest Supplier of Electrical and Electronic Components

*Click to view similar products for [Ceramic Disc Capacitors](#) category:*

*Click to view products by [South HongMing](#) manufacturer:*

Other Similar products are found below :

[5AU100JCECA](#) [5AU220JCGCA](#) [5AU560JCJCA](#) [HCU180KBCDRTKR](#) [432202101621](#) [101GHR102K](#) [W1X223MCVCF0KR](#) [CC-100N](#)  
[NCD102K1KVY5FF](#) [NCD103M1KVZ5UF](#) [NCD331K1KVY5FF](#) [AOL-1502-02](#) [NCD103M1KVZ5UJTBF](#) [DEF2CLH040CN3A](#)  
[F05B1B331KN0B0SHN0](#) [8903D0](#) [90410-10](#) [YV101103Z060HAND5P](#) [SL102101J060BAND5P](#) [YP202102K080D04A7H](#)  
[ZU501103M090B20C6P](#) [ZU102103M100X05B0P](#) [YP102271K050B20C6P](#) [YP102391K050BAND5P](#) [YP501101K040BAND5P](#)  
[ZU102103M100BAND5H](#) [YP102681K060B20C6P](#) [YP501121K040B20C6P](#) [SL102181J070HAND5P](#) [YP501471K040B20C6P](#)  
[SL102151J070HAND5P](#) [YP501102K050HAND5P](#) [ZU501102M050B20C6P](#) [YP501472K100B20C6P](#) [ZU102103M100B20C0P](#)  
[YV500223Z080HAND5P](#) [CC1H220KA1EDCH4B1100](#) [HGK3FE102MG3BW](#) [HGK3FF152MA3BW](#) [HGK3FE472MG3BW-3085A5](#)  
[SL500330J040B20C2P](#) [SL501510J050B20C6P](#) [SL102221J080HAND5P](#) [YP500103M100HAND5P](#) [YP102101K050B20C5B](#)  
[YP500472K070HAND5P](#) [SL102101J060HAND5H](#) [YP102222K080D20C5B](#) [LN202471K080D3EAEH](#) [S103Z59Y5VP6TK7R](#)