

高压瓷介电容器

High Voltage Ceramic Capacitors

特性 Feature

- 容量范围 Wide capacitance range from 100pF to 10000pF
- 工作温度 Operating Temperature: $-40^{\circ}\text{C} \sim 125^{\circ}\text{C}$
- 存储温度 Storage Temperature: $-10^{\circ}\text{C} \sim 40^{\circ}\text{C}$

应用 Applications

高压瓷介电容器具有耐直流高压的特点，适用于高压旁路和耦合电路中。其中的低损耗高压圆片瓷介电容器具有较低的介质损耗，特别适合在电视接收机的行扫描等电路中使用。

The high voltage disc ceramic capacitors have feature of withstanding higher voltage. These capacitors are used in bypass and coupling circuit, and those capacitors with low dissipation factor are particularly suitable for use in the line scan circuit in TV receiver.

产品型号 Part Number

DCH 331 K 26 Y5P N 6 B L 5 □ □

型号 Type:

DCF: 交流圆片瓷介电容器
DCG: 超高压瓷片电容器
DCH: 高压圆片瓷介电容器

电容量 (Capacitance):

470: 47pF
471: 470pF
472: 2200pF
103: 10000pF

电容量允许偏差

Capacitance Tolerance:

M=20% Z=+80%-20%
K=±10% J=±5%

尺寸代码 Size:

见规格详情
See the specification

温度特性

temperature characteristic:

Y5P, Y5U, Y5V

额定电压 Rated voltage:

N=1KVDC P=2KVDC R=3KVDC
G=X1 400VAC Y1 250VAC Q=X1 400VAC/Y2 250VAC

电极材料:

Electrode Material

Copper or Silver electrode

内部管理代码

Interior managing

位引线间距 Lead spacing:

5=5.0mm 7=7.5mm 0=10mm

引线式样 Lead style:

L、J、
见引线形状 see the lead style
Figure1-2 and figure 1-3

位引线长度/包装方法/

Lead length/package:

B=26.0±1.0mm, L=2.3±0.3mm
D=4.5±0.5mm, J=3.2±0.3mm,
W=3.4±0.3mm, K=2.8±0.5mm,
F=12.7mm 编带/扇折, V=15.0mm 编带/扇折

引线直径 Lead diameter:

CP 线:
6=0.55±0.05mm 8=0.78±0.05mm

脚型 Lead style

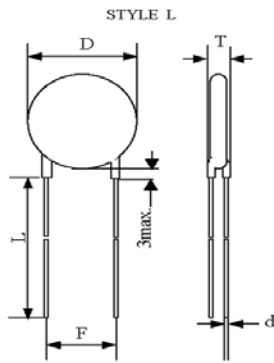


Figure 1-2

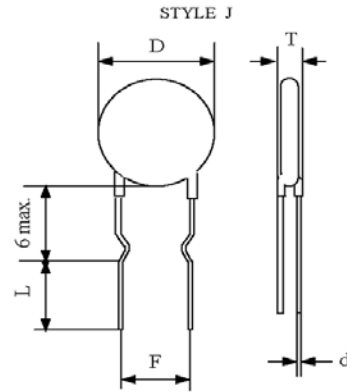


Figure 1-3

规格 Specification

SHM 产品代码 SHM Part No.	额定电压 Rated voltage (KV)	标称容量 Nominal capacitance (pF)	电容量允许 偏差范围 Tolerance (%)	温度特性 Temperature Characteristic	产品尺寸(mm)				
					直径 Dmax. (mm)	厚度 Tmax. (mm)	引线 间距 F(mm)	引线直径 d (mm)	散件/ 编带
DCH100J22X7RN6FL5A0	1KVDC	10	±5%	X7R	5.5	4	5.0	0.55±0.05	编带
DCH100K22COHN6FJ5EZ	1KVDC	10	±10%	COH	5.5	4	5.0	0.55±0.05	编带
DCH100K22COHNEFL5A0	1KVDC	10	±10%	COH	5.5	4	5.0	0.58Cu 线	编带
DCH100K22SL N6FJ5A0	1KVDC	10	±10%	SL	5.5	4	5.0	0.55±0.05	编带
DCH100K22SL N6WL5A0	1KVDC	10	±10%	SL	5.5	4	5.0	0.55±0.05	散件
DCH100K22YR N6FJ5A0	1KVDC	10	±10%	YR	5.5	4	5.0	0.55±0.05	编带
DCH100K22YR N6FJ5C8	1KVDC	10	±10%	YR	5.5	4	5.0	0.55±0.05	编带
DCH100K22YR P6FJ5A0	2KVDC	10	±10%	YR	5.5	5	5.0	0.55±0.05	编带
DCH101K22SL N63L5A0	1KVDC	100	±10%	SL	5.5	4	5.0	0.55±0.05	散件
DCH101K22SL N6FL5A0	1KVDC	100	±10%	SL	5.5	4	5.0	0.55±0.05	编带
DCH101K22SL N6FL5AR	1KVDC	100	±10%	SL	5.5	4	5.0	0.55±0.05	编带
DCH101K22SL N6WL5A0	1KVDC	100	±10%	SL	5.5	4	5.0	0.55±0.05	散件
DCH101K22X7R16FL5A0	1KVDC	100	±10%	X7R	5.5	4	5.0	0.55±0.05	编带

DCH101K22X7RN6FJ5B8	1KVDC	100	±10%	X7R	5.5	4	5.0	0.55±0.05	编带
DCH101K22Y5P16FJ5A0	1KVDC	100	±10%	Y5P	5.5	4	5.0	0.55±0.05	编带
DCH101K22Y5P16FL5A0	1KVDC	100	±10%	Y5P	5.5	4	5.0	0.55±0.05	编带
DCH101K22Y5PN5WL5A0	1KVDC	100	±10%	Y5P	5.5	4	5.0	0.48±0.05	散件
DCH101K22Y5PN6BL5A0	1KVDC	100	±10%	Y5P	5.5	4	5.0	0.55±0.05	散件
DCH101K22Y5PN6FJ5EE	1KVDC	100	±10%	Y5P	5.5	4	5.0	0.55±0.05	编带
DCH101K22Y5PN6FJ7A0	1KVDC	100	±10%	Y5P	5.5	4	7.5	0.55±0.05	编带
DCH101K22Y5PN6FK5A0	1KVDC	100	±10%	Y5P	5.5	4	5.0	0.55±0.05	编带
DCH101K22Y5PN6FL5A0	1KVDC	100	±10%	Y5P	5.5	4	5.0	0.55±0.05	编带
DCH101K22Y5PN6VK7A0	1KVDC	100	±10%	Y5P	5.5	4	7.5	0.55±0.05	编带
DCH101K22Y5PN6WL5A0	1KVDC	100	±10%	Y5P	5.5	4	5.0	0.55±0.05	散件
DCH101K22YR 16FJ5A0	1KVDC	100	±10%	YR	5.5	4	5.0	0.55±0.05	编带
DCH101K22YR N6FH5GD	1KVDC	100	±10%	YR	5.5	4	5.0	0.55±0.05	编带
DCH101K22YR N6FJ5A0	1KVDC	100	±10%	YR	5.5	4	5.0	0.55±0.05	编带
DCH101K22YR N6FJ5C8	1KVDC	100	±10%	YR	5.5	4	5.0	0.55±0.05	编带
DCH101K22YR N6FK5C8	1KVDC	100	±10%	YR	5.5	4	5.0	0.55±0.05	编带
DCH101K22YR N6FK5G8	1KVDC	100	±10%	YR	5.5	4	5.0	0.55±0.05	编带
DCH101K26Y5PP6BL5A0	2KVDC	100	±10%	Y5P	6.8	5	5.0	0.55±0.05	散件
DCH101K26Y5PR6BL5A0	3KVDC	100	±10%	Y5P	6.8	6	5.0	0.55±0.05	散件
DCH101K26Y5PR6BL7A0	3KVDC	100	±10%	Y5P	6.8	6	7.5	0.55±0.05	散件
DCH101K26YP P6FJ5EZ	2KVDC	100	±10%	YP	6.8	5	5.0	0.55±0.05	编带
DCH101K26YP P6FK5EZ	2KVDC	100	±10%	YP	6.8	5	5.0	0.55±0.05	编带
DCH101K26YR N6FJ5A0	1KVDC	100	±10%	YR	6.8	4	5.0	0.55±0.05	编带
DCH101K26YR P6BL5A0	2KVDC	100	±10%	YR	6.8	5	5.0	0.55±0.05	散件
DCH101K26YR P6FH5GD	2KVDC	100	±10%	YR	6.8	5	5.0	0.55±0.05	编带

DCH101K26YR P6FJ5C8	2KVDC	100	±10%	YR	6.8	5	5.0	0.55±0.05	编带
DCH102K30Y5P16FJ5A0	1KVDC	1000	±10%	Y5P	7.8	4	5.0	0.55±0.05	编带
DCH102K30Y5PN60L5C8	1KVDC	1000	±10%	Y5P	7.8	4	5.0	0.55±0.05	散件
DCH102K30Y5PN62L5A0	1KVDC	1000	±10%	Y5P	7.8	4	5.0	0.55±0.05	散件
DCH102K30Y5PN63L5A0	1KVDC	1000	±10%	Y5P	7.8	4	5.0	0.55±0.05	散件
DCH102K30Y5PN68L5A0	1KVDC	1000	±10%	Y5P	7.8	4	5.0	0.55±0.05	散件
DCH102K30Y5PN6BL5A0	1KVDC	1000	±10%	Y5P	7.8	4	5.0	0.55±0.05	散件
DCH102K30Y5PN6DL5A0	1KVDC	1000	±10%	Y5P	7.8	4	5.0	0.55±0.05	散件
DCH102K30Y5PN6FJ5BB	1KVDC	1000	±10%	Y5P	7.8	4	5.0	0.55±0.05	编带
DCH102K30Y5PN6FJ5BU	1KVDC	1000	±10%	Y5P	7.8	4	5.0	0.55±0.05	编带
DCH102K30Y5PN6FJ5C8	1KVDC	1000	±10%	Y5P	7.8	4	5.0	0.55±0.05	编带
DCH102K30Y5PN6FJ5EE	1KVDC	1000	±10%	Y5P	7.8	4	5.0	0.55±0.05	编带
DCH102K30Y5PN6FJ5EZ	1KVDC	1000	±10%	Y5P	7.8	4	5.0	0.55±0.05	编带
DCH102K30Y5PN6FK5A0	1KVDC	1000	±10%	Y5P	7.8	4	5.0	0.55±0.05	编带
DCH102K30Y5PN6FL5A0	1KVDC	1000	±10%	Y5P	7.8	4	5.0	0.55±0.05	编带
DCH102K30Y5PN6FL5BU	1KVDC	1000	±10%	Y5P	7.8	4	5.0	0.55±0.05	编带
DCH102K30Y5PN6JK7A0	1KVDC	1000	±10%	Y5P	7.8	4	7.5	0.55±0.05	散件
DCH102K30Y5PN6WL5A0	1KVDC	1000	±10%	Y5P	7.8	4	5.0	0.55±0.05	散件
DCH102K30Y5PN6WL7A0	1KVDC	1000	±10%	Y5P	7.8	4	7.5	0.55±0.05	散件
DCH102K30Y5PNEFJ5A0	1KVDC	1000	±10%	Y5P	7.8	4	5.0	0.58Cu 线	编带
DCH102K30Y5PNEFL5A0	1KVDC	1000	±10%	Y5P	7.8	4	5.0	0.58Cu 线	编带
DCH102K30YP N6FL5A0	1KVDC	1000	±10%	YP	7.8	4	5.0	0.55±0.05	编带
DCH102K34Y5PP6AL7A0	2KVDC	1000	±10%	Y5P	9	5	7.5	0.55±0.05	散件
DCH102K34Y5PP6BL5A0	2KVDC	1000	±10%	Y5P	9	5	5.0	0.55±0.05	散件
DCH102K34Y5PP6FJ5C8	2KVDC	1000	±10%	Y5P	9	5	5.0	0.55±0.05	编带

DCH102K34Y5PP6FJ5EZ	2KVDC	1000	±10%	Y5P	9	5	5.0	0.55±0.05	编带
DCH102K34Y5PP6JK0A0	2KVDC	1000	±10%	Y5P	9	5	10.0	0.55±0.05	散件
DCH102K34Y5PP6JK7C8	2KVDC	1000	±10%	Y5P	9	5	7.5	0.55±0.05	散件
DCH102K34Y5PP6JL7A0	2KVDC	1000	±10%	Y5P	9	5	7.5	0.55±0.05	散件
DCH102K34Y5PP6VK7C8	2KVDC	1000	±10%	Y5P	9	5	7.5	0.55±0.05	编带
DCH102K34Y5PP6WK0A0	2KVDC	1000	±10%	Y5P	9	5	10.0	0.55±0.05	散件
DCH102K34Y5PP6WK5A0	2KVDC	1000	±10%	Y5P	9	5	5.0	0.55±0.05	散件
DCH102K34Y5PPBVK7A0	2KVDC	1000	±10%	Y5P	9	5	7.5	0.55±0.05	编带
DCH102K34Y5PPEWL7A0	2KVDC	1000	±10%	Y5P	9	5	7.5	0.58Cu 线	散件
DCH102K34YR N6FJ5A0	1KVDC	1000	±10%	YR	9	4	5.0	0.55±0.05	编带
DCH102K34YR N6FL5AR	1KVDC	1000	±10%	YR	9	4	5.0	0.55±0.05	编带
DCH102K34YR NEFJ5A0	1KVDC	1000	±10%	YR	9	4	5.0	0.58Cu 线	编带
DCH102K34YR NEFL5A0	1KVDC	1000	±10%	YR	9	4	5.0	0.58Cu 线	编带
DCH102K36Y5PR6BL0A0	3KVDC	1000	±10%	Y5P	9.8	6	10.0	0.55±0.05	散件
DCH102K36Y5PR6BL7A0	3KVDC	1000	±10%	Y5P	9.8	6	7.5	0.55±0.05	散件
DCH102K36Y5PR6VK7EE	3KVDC	1000	±10%	Y5P	9.8	6	7.5	0.55±0.05	编带
DCH102K36Y5PR6WK7EE	3KVDC	1000	±10%	Y5P	9.8	6	7.5	0.55±0.05	散件
DCH102M22Y5UN6FJ5A0	1KVDC	1000	±20%	Y5U	5.5	4	5.0	0.55±0.05	编带
DCH102M22Y5UN6JL5A0	1KVDC	1000	±20%	Y5U	5.5	4	5.0	0.55±0.05	散件
DCH102M22Y5UN6WL5A0	1KVDC	1000	±20%	Y5U	5.5	4	5.0	0.55±0.05	散件
DCH102M22Y5VN6FJ5A0	1KVDC	1000	±20%	Y5V	5.5	4	5.0	0.55±0.05	编带
DCH102M22Y5VN6WL5A0	1KVDC	1000	±20%	Y5V	5.5	4	5.0	0.55±0.05	散件
DCH102M26Y5UP6BL5A0	2KVDC	1000	±20%	Y5U	6.8	5	5.0	0.55±0.05	散件
DCH102M26Y5UP6FJ5A0	2KVDC	1000	±20%	Y5U	6.8	5	5.0	0.55±0.05	编带
DCH102M26Y5UP6WL5A0	2KVDC	1000	±20%	Y5U	6.8	5	5.0	0.55±0.05	散件

DCH102Z26Y5V46BL5A0	3KVDC	1000	80%-20%	Y5V	6.8	6	5.0	0.55±0.05	散件
DCH103K46Y5PN6JK7A0	1KVDC	10000	±10%	Y5P	12.3	4	7.5	0.55±0.05	散件
DCH103M36Y5V16FJ5A0	1KVDC	10000	±20%	Y5V	9.8	4	5.0	0.55±0.05	编带
DCH103M36Y5V16WJ5A0	1KVDC	10000	±20%	Y5V	9.8	4	5.0	0.55±0.05	散件
DCH103M36Y5VN63L5A0	1KVDC	10000	±20%	Y5V	9.8	4	5.0	0.55±0.05	散件
DCH103M36Y5VN65L7A0	1KVDC	10000	±20%	Y5V	9.8	4	7.5	0.55±0.05	散件
DCH103M36Y5VN69L5A0	1KVDC	10000	±20%	Y5V	9.8	4	5.0	0.55±0.05	散件
DCH103M36Y5VN6BL5A0	1KVDC	10000	±20%	Y5V	9.8	4	5.0	0.55±0.05	散件
DCH103M36Y5VN6BL7A0	1KVDC	10000	±20%	Y5V	9.8	4	7.5	0.55±0.05	散件
DCH103M36Y5VN6DL5A0	1KVDC	10000	±20%	Y5V	9.8	4	5.0	0.55±0.05	散件
DCH103M36Y5VN6FJ7A0	1KVDC	10000	±20%	Y5V	9.8	4	7.5	0.55±0.05	编带
DCH103M36Y5VN6FK5A0	1KVDC	10000	±20%	Y5V	9.8	4	5.0	0.55±0.05	编带
DCH103M36Y5VN6FL5A0	1KVDC	10000	±20%	Y5V	9.8	4	5.0	0.55±0.05	编带
DCH103M36Y5VN6FL5BU	1KVDC	10000	±20%	Y5V	9.8	4	5.0	0.55±0.05	编带
DCH103M36Y5VN6VL7A0	1KVDC	10000	±20%	Y5V	9.8	4	7.5	0.55±0.05	编带
DCH103M36Y5VN6WL5A0	1KVDC	10000	±20%	Y5V	9.8	4	5.0	0.55±0.05	散件
DCH103M36Y5VN6WL7A0	1KVDC	10000	±20%	Y5V	9.8	4	7.5	0.55±0.05	散件
DCH103M36Y5VNEFL5A0	1KVDC	10000	±20%	Y5V	9.8	4	5.0	0.58Cu 线	编带
DCH103M46Y5UN6VL7A0	1KVDC	10000	±20%	Y5U	12.3	4	7.5	0.55±0.05	编带
DCH103M46Y5UN6WP7A0	1KVDC	10000	±20%	Y5U	12.3	4	7.5	0.55±0.05	散件
DCH103M46Y5VP68L7A0	2KVDC	10000	±20%	Y5V	12.3	5	7.5	0.55±0.05	散件
DCH103M46Y5VP6DL5A0	2KVDC	10000	±20%	Y5V	12.3	5	5.0	0.55±0.05	散件
DCH103M56Y5VR6BL0A0	3KVDC	10000	±20%	Y5V	14.7	6	10.0	0.55±0.05	散件
DCH103M56Y5VR6BL7A0	3KVDC	10000	±20%	Y5V	14.7	6	7.5	0.55±0.05	散件
DCH103M56Y5VR6GL7A0	3KVDC	10000	±20%	Y5V	14.7	6	7.5	0.55±0.05	散件

DCH103M56Y5VR6WL7A0	3KVDC	10000	±20%	Y5V	14.7	6	7.5	0.55±0.05	散件
DCH103Z36Y5VN60L0A0	1KVDC	10000	80%-20%	Y5V	9.8	4	10.0	0.55±0.05	散件
DCH103Z36Y5VN65L0A0	1KVDC	10000	80%-20%	Y5V	9.8	4	10.0	0.55±0.05	散件
DCH103Z36Y5VN6BL0A0	1KVDC	10000	80%-20%	Y5V	9.8	4	10.0	0.55±0.05	散件
DCH103Z36Y5VN6DJ7A0	1KVDC	10000	80%-20%	Y5V	9.8	4	7.5	0.55±0.05	散件
DCH103Z36Y5VN6FJ5A0	1KVDC	10000	80%-20%	Y5V	9.8	4	5.0	0.55±0.05	编带
DCH103Z36Y5VN6FJ5C8	1KVDC	10000	80%-20%	Y5V	9.8	4	5.0	0.55±0.05	编带
DCH103Z36Y5VN6VK7A0	1KVDC	10000	80%-20%	Y5V	9.8	4	7.5	0.55±0.05	编带
DCH103Z36Y5VN6VK7C8	1KVDC	10000	80%-20%	Y5V	9.8	4	7.5	0.55±0.05	编带
DCH103Z36Y5VN6WJ0A0	1KVDC	10000	80%-20%	Y5V	9.8	4	10.0	0.55±0.05	散件
DCH103Z46Y5VP65W0A0	2KVDC	10000	80%-20%	Y5V	12.3	5	10.0	0.55±0.05	散件
DCH103Z46Y5VP6BL0A0	2KVDC	10000	80%-20%	Y5V	12.3	5	10.0	0.55±0.05	散件
DCH103Z46Y5VP6BL7A0	2KVDC	10000	80%-20%	Y5V	12.3	5	7.5	0.55±0.05	散件
DCH103Z46Y5VP6CL0A0	2KVDC	10000	80%-20%	Y5V	12.3	5	10.0	0.55±0.05	散件
DCH103Z46Y5VP6UL7A0	2KVDC	10000	80%-20%	Y5V	12.3	5	7.5	0.55±0.05	编带
DCH103Z56Y5VR6BL0A0	3KVDC	10000	80%-20%	Y5V	14.7	6	10.0	0.55±0.05	散件
DCH120K26SL P6FJ5A0	2KVDC	12	±10%	SL	6.8	5	5.0	0.55±0.05	编带
DCH121K22Y5PN6FJ5A0	1KVDC	120	±10%	Y5P	5.5	4	5.0	0.55±0.05	编带
DCH150K22COHN6FL5A0	1KVDC	15	±10%	COH	5.5	4	5.0	0.55±0.05	编带
DCH151K22Y5PN6BL5A0	1KVDC	150	±10%	Y5P	5.5	4	5.0	0.55±0.05	散件
DCH151K22Y5PN6FJ5A0	1KVDC	150	±10%	Y5P	5.5	4	5.0	0.55±0.05	编带
DCH151K22Y5PN6FL5A0	1KVDC	150	±10%	Y5P	5.5	4	5.0	0.55±0.05	编带
DCH151K22Y5PN6WL5A0	1KVDC	150	±10%	Y5P	5.5	4	5.0	0.55±0.05	散件
DCH151K26Y5PPEFJ5A0	2KVDC	150	±10%	Y5P	6.8	5	5.0	0.58Cu 线	编带
DCH151K26YR P6FJ5C8	2KVDC	150	±10%	YR	6.8	5	5.0	0.55±0.05	编带

DCH151K26YR P6FJ5G8	2KVDC	150	±10%	YR	6.8	5	5.0	0.55±0.05	编带
DCH152K34Y5P16FJ5A0	1KVDC	1500	±10%	Y5P	9	4	5.0	0.55±0.05	编带
DCH152K34Y5PN6FJ5A0	1KVDC	1500	±10%	Y5P	9	4	5.0	0.55±0.05	编带
DCH152K34Y5PN6FJ5C8	1KVDC	1500	±10%	Y5P	9	4	5.0	0.55±0.05	编带
DCH152K34Y5PN6FP5A0	1KVDC	1500	±10%	Y5P	9	4	5.0	0.55±0.05	编带
DCH152K34Y5PN6WL5A0	1KVDC	1500	±10%	Y5P	9	4	5.0	0.55±0.05	散件
DCH152K46Y5PR6BL0A0	3KVDC	1500	±10%	Y5P	12.3	6	10.0	0.55±0.05	散件
DCH182K34Y5PN6FJ5A0	1KVDC	1800	±10%	Y5P	9	4	5.0	0.55±0.05	编带
DCH203M69Y5VP6UL0A0	2KVDC	20000	±20%	Y5V	18	5	10.0	0.55±0.05	编带
DCH220K22COH16FJ5A0	1KVDC	22	±10%	COH	5.5	4	5.0	0.55±0.05	编带
DCH220K22SL N60L5C8	1KVDC	22	±10%	SL	5.5	4	5.0	0.55±0.05	散件
DCH220K22SL N6FJ5A0	1KVDC	22	±10%	SL	5.5	4	5.0	0.55±0.05	编带
DCH220K22SL N6FJ5C8	1KVDC	22	±10%	SL	5.5	4	5.0	0.55±0.05	编带
DCH220K22SL N6JL5A0	1KVDC	22	±10%	SL	5.5	4	5.0	0.55±0.05	散件
DCH220K22SL N6WJ7A0	1KVDC	22	±10%	SL	5.5	4	7.5	0.55±0.05	散件
DCH220K22SL NEVJ7A0	1KVDC	22	±10%	SL	5.5	4	7.5	0.58Cu 线	编带
DCH220K22SL P6FJ5A0	2KVDC	22	±10%	SL	5.5	5	5.0	0.55±0.05	编带
DCH220K22SL PEFL5A0	2KVDC	22	±10%	SL	5.5	5	5.0	0.58Cu 线	编带
DCH220K22YR N6FH5GD	1KVDC	22	±10%	YR	5.5	4	5.0	0.55±0.05	编带
DCH220K22YR N6FJ5C8	1KVDC	22	±10%	YR	5.5	4	5.0	0.55±0.05	编带
DCH221J34SL N6BL5A0	1KVDC	220	±5%	SL	9	4	5.0	0.55±0.05	散件
DCH221J43SL P6FJ5A0	2KVDC	220	±5%	SL	11.5	5	5.0	0.55±0.05	编带
DCH221K22X7R16FL5A0	1KVDC	220	±10%	X7R	5.5	4	5.0	0.55±0.05	编带
DCH221K22Y5P16FJ5A0	1KVDC	220	±10%	Y5P	5.5	4	5.0	0.55±0.05	编带
DCH221K22Y5PN60L5C8	1KVDC	220	±10%	Y5P	5.5	4	5.0	0.55±0.05	散件

DCH221K22Y5PN6BL5A0	1KVDC	220	±10%	Y5P	5.5	4	5.0	0.55±0.05	散件
DCH221K22Y5PN6DL5A0	1KVDC	220	±10%	Y5P	5.5	4	5.0	0.55±0.05	散件
DCH221K22Y5PN6FJ5C8	1KVDC	220	±10%	Y5P	5.5	4	5.0	0.55±0.05	编带
DCH221K22Y5PN6FK5A0	1KVDC	220	±10%	Y5P	5.5	4	5.0	0.55±0.05	编带
DCH221K22Y5PN6FL5A0	1KVDC	220	±10%	Y5P	5.5	4	5.0	0.55±0.05	编带
DCH221K22Y5PN6FL5BU	1KVDC	220	±10%	Y5P	5.5	4	5.0	0.55±0.05	编带
DCH221K22Y5PN6FL7BU	1KVDC	220	±10%	Y5P	5.5	4	7.5	0.55±0.05	编带
DCH221K22Y5PN6JL5A0	1KVDC	220	±10%	Y5P	5.5	4	5.0	0.55±0.05	散件
DCH221K22Y5PN6WJ5A0	1KVDC	220	±10%	Y5P	5.5	4	5.0	0.55±0.05	散件
DCH221K22Y5PN6WP5A0	1KVDC	220	±10%	Y5P	5.5	4	5.0	0.55±0.05	散件
DCH221K22Y5PNEFJ5A0	1KVDC	220	±10%	Y5P	5.5	4	5.0	0.58Cu 线	编带
DCH221K22YP N6FL5A0	1KVDC	220	±10%	YP	5.5	4	5.0	0.55±0.05	编带
DCH221K22YR N6DL5A0	1KVDC	220	±10%	YR	5.5	4	5.0	0.55±0.05	散件
DCH221K22YR N6FH5GD	1KVDC	220	±10%	YR	5.5	4	5.0	0.55±0.05	编带
DCH221K22YR N6FJ5A0	1KVDC	220	±10%	YR	5.5	4	5.0	0.55±0.05	编带
DCH221K22YR N6FJ5C8	1KVDC	220	±10%	YR	5.5	4	5.0	0.55±0.05	编带
DCH221K22YR N6FJ5G8	1KVDC	220	±10%	YR	5.5	4	5.0	0.55±0.05	编带
DCH221K22YR N6FK5C8	1KVDC	220	±10%	YR	5.5	4	5.0	0.55±0.05	编带
DCH221K22YR N6FK5G8	1KVDC	220	±10%	YR	5.5	4	5.0	0.55±0.05	编带
DCH221K22YR N6FL5A0	1KVDC	220	±10%	YR	5.5	4	5.0	0.55±0.05	编带
DCH221K26Y5PP6BL5A0	2KVDC	220	±10%	Y5P	6.8	5	5.0	0.55±0.05	散件
DCH221K26Y5PR6JK0C8	3KVDC	220	±10%	Y5P	6.8	6	10.0	0.55±0.05	散件
DCH221K26Y5PR6VK7A0	3KVDC	220	±10%	Y5P	6.8	6	7.5	0.55±0.05	编带
DCH221K26Y5PR6VK7C8	3KVDC	220	±10%	Y5P	6.8	6	7.5	0.55±0.05	编带
DCH221K26YP P6FJ5CX	2KVDC	220	±10%	YP	6.8	5	5.0	0.55±0.05	编带

DCH221K26YP P6FJ5EZ	2KVDC	220	±10%	YP	6.8	5	5.0	0.55±0.05	编带
DCH221K26YR P6BL5A0	2KVDC	220	±10%	YR	6.8	5	5.0	0.55±0.05	散件
DCH221K26YR P6FH5GD	2KVDC	220	±10%	YR	6.8	5	5.0	0.55±0.05	编带
DCH221K26YR P6FJ5A0	2KVDC	220	±10%	YR	6.8	5	5.0	0.55±0.05	编带
DCH221K26YR P6FJ5C8	2KVDC	220	±10%	YR	6.8	5	5.0	0.55±0.05	编带
DCH221K26YR P6FJ5G8	2KVDC	220	±10%	YR	6.8	5	5.0	0.55±0.05	编带
DCH221K26YR P6FL5A0	2KVDC	220	±10%	YR	6.8	5	5.0	0.55±0.05	编带
DCH221M22Y5UN6FJ5A0	1KVDC	220	±20%	Y5U	5.5	4	5.0	0.55±0.05	编带
DCH222K36X7RN6FJ5B8	1KVDC	2200	±10%	X7R	9.8	4	5.0	0.55±0.05	编带
DCH222K36Y5P15FJ5A0	1KVDC	2200	±10%	Y5P	9.8	4	5.0	0.48±0.05	编带
DCH222K36Y5P163L5A0	1KVDC	2200	±10%	Y5P	9.8	4	5.0	0.55±0.05	散件
DCH222K36Y5P16FJ5A0	1KVDC	2200	±10%	Y5P	9.8	4	5.0	0.55±0.05	编带
DCH222K36Y5P16WJ5A0	1KVDC	2200	±10%	Y5P	9.8	4	5.0	0.55±0.05	散件
DCH222K36Y5PN60L5C8	1KVDC	2200	±10%	Y5P	9.8	4	5.0	0.55±0.05	散件
DCH222K36Y5PN6BL5A0	1KVDC	2200	±10%	Y5P	9.8	4	5.0	0.55±0.05	散件
DCH222K36Y5PN6BL7A0	1KVDC	2200	±10%	Y5P	9.8	4	7.5	0.55±0.05	散件
DCH222K36Y5PN6FJ5A0	1KVDC	2200	±10%	Y5P	9.8	4	5.0	0.55±0.05	编带
DCH222K36Y5PN6FJ5BU	1KVDC	2200	±10%	Y5P	9.8	4	5.0	0.55±0.05	编带
DCH222K36Y5PN6FJ5C8	1KVDC	2200	±10%	Y5P	9.8	4	5.0	0.55±0.05	编带
DCH222K36Y5PN6FJ7A0	1KVDC	2200	±10%	Y5P	9.8	4	7.5	0.55±0.05	编带
DCH222K36Y5PN6FK5A0	1KVDC	2200	±10%	Y5P	9.8	4	5.0	0.55±0.05	编带
DCH222K36Y5PN6FL5A0	1KVDC	2200	±10%	Y5P	9.8	4	5.0	0.55±0.05	编带
DCH222K36Y5PN6FL5BU	1KVDC	2200	±10%	Y5P	9.8	4	5.0	0.55±0.05	编带
DCH222K36Y5PN6FL5C8	1KVDC	2200	±10%	Y5P	9.8	4	5.0	0.55±0.05	编带
DCH222K36Y5PN6JL5A0	1KVDC	2200	±10%	Y5P	9.8	4	5.0	0.55±0.05	散件

DCH222K36Y5PN6VK7C8	1KVDC	2200	±10%	Y5P	9.8	4	7.5	0.55±0.05	编带
DCH222K36Y5PN6VL7A0	1KVDC	2200	±10%	Y5P	9.8	4	7.5	0.55±0.05	编带
DCH222K36Y5PN6WK5A0	1KVDC	2200	±10%	Y5P	9.8	4	5.0	0.55±0.05	散件
DCH222K36Y5PN6WL5A0	1KVDC	2200	±10%	Y5P	9.8	4	5.0	0.55±0.05	散件
DCH222K36Y5PN6WL7A0	1KVDC	2200	±10%	Y5P	9.8	4	7.5	0.55±0.05	散件
DCH222K36Y5PN6WP5A0	1KVDC	2200	±10%	Y5P	9.8	4	5.0	0.55±0.05	散件
DCH222K36Y5PNBVK7A0	1KVDC	2200	±10%	Y5P	9.8	4	7.5	0.55±0.05	编带
DCH222K36Y5PNE8L5A0	1KVDC	2200	±10%	Y5P	9.8	4	5.0	0.58Cu 线	散件
DCH222K36Y5PNEFJ5A0	1KVDC	2200	±10%	Y5P	9.8	4	5.0	0.58Cu 线	编带
DCH222K36Y5PNEFL5A0	1KVDC	2200	±10%	Y5P	9.8	4	5.0	0.58Cu 线	编带
DCH222K36Y5PNEWL7A0	1KVDC	2200	±10%	Y5P	9.8	4	7.5	0.58Cu 线	散件
DCH222K46X7RN6FL5A0	1KVDC	2200	±10%	X7R	12.3	4	5.0	0.55±0.05	编带
DCH222K46Y5PP6BL0A0	2KVDC	2200	±10%	Y5P	12.3	5	10.0	0.55±0.05	散件
DCH222K46Y5PP6BL5A0	2KVDC	2200	±10%	Y5P	12.3	5	5.0	0.55±0.05	散件
DCH222K46Y5PP6BL7A0	2KVDC	2200	±10%	Y5P	12.3	5	7.5	0.55±0.05	散件
DCH222K46YR N6FJ5C8	1KVDC	2200	±10%	YR	12.3	4	5.0	0.55±0.05	编带
DCH222K46YR N6VK7A0	1KVDC	2200	±10%	YR	12.3	4	7.5	0.55±0.05	编带
DCH222K46YR N6WL7A0	1KVDC	2200	±10%	YR	12.3	4	7.5	0.55±0.05	散件
DCH222K46YR NEFJ5A0	1KVDC	2200	±10%	YR	12.3	4	5.0	0.58Cu 线	编带
DCH222K46YR NEVJ7A0	1KVDC	2200	±10%	YR	12.3	4	7.5	0.58Cu 线	编带
DCH222K46YR NEWJ7A0	1KVDC	2200	±10%	YR	12.3	4	7.5	0.58Cu 线	散件
DCH222K46YR NEWL7A0	1KVDC	2200	±10%	YR	12.3	4	7.5	0.58Cu 线	散件
DCH222M22Y5VN6FJ5A0	1KVDC	2200	±20%	Y5V	5.5	4	5.0	0.55±0.05	编带
DCH222M22Y5VN6FJ5BU	1KVDC	2200	±20%	Y5V	5.5	4	5.0	0.55±0.05	编带
DCH222M22Y5VN6WL5A0	1KVDC	2200	±20%	Y5V	5.5	4	5.0	0.55±0.05	散件

DCH222M30Y5UN65L5A0	1KVDC	2200	±20%	Y5U	7.8	4	5.0	0.55±0.05	散件
DCH222M30Y5UN6BL5A0	1KVDC	2200	±20%	Y5U	7.8	4	5.0	0.55±0.05	散件
DCH222M30Y5UN6BL7A0	1KVDC	2200	±20%	Y5U	7.8	4	7.5	0.55±0.05	散件
DCH222M30Y5UN6CW7A0	1KVDC	2200	±20%	Y5U	7.8	4	7.5	0.55±0.05	散件
DCH222M30Y5UN6DL5A0	1KVDC	2200	±20%	Y5U	7.8	4	5.0	0.55±0.05	散件
DCH222M30Y5UN6FJ5A0	1KVDC	2200	±20%	Y5U	7.8	4	5.0	0.55±0.05	编带
DCH222M30Y5UN6VJ7A0	1KVDC	2200	±20%	Y5U	7.8	4	7.5	0.55±0.05	编带
DCH222M30Y5UN6WL5A0	1KVDC	2200	±20%	Y5U	7.8	4	5.0	0.55±0.05	散件
DCH222M36Y5UR6BK7A0	3KVDC	2200	±20%	Y5U	9.8	6	7.5	0.55±0.05	散件
DCH222M36Y5UR6BL7A0	3KVDC	2200	±20%	Y5U	9.8	6	7.5	0.55±0.05	散件
DCH222M36Y5UR6JK7A0	3KVDC	2200	±20%	Y5U	9.8	6	7.5	0.55±0.05	散件
DCH222M36Y5UR6VK7A0	3KVDC	2200	±20%	Y5U	9.8	6	7.5	0.55±0.05	编带
DCH222M36Y5UREVL7A0	3KVDC	2200	±20%	Y5U	9.8	6	7.5	0.58Cu 线	编带
DCH222Z30Y5VP6BL5A0	2KVDC	2200	80%-20%	Y5V	7.8	5	5.0	0.55±0.05	散件
DCH223M56Y5VN6UJ7A0	1KVDC	22000	±20%	Y5V	14.7	4	7.5	0.55±0.05	编带
DCH223M56Y5VN6UL7A0	1KVDC	22000	±20%	Y5V	14.7	4	7.5	0.55±0.05	编带
DCH223M56Y5VN6WL7A0	1KVDC	22000	±20%	Y5V	14.7	4	7.5	0.55±0.05	散件
DCH223M56Y5VN6WP7A0	1KVDC	22000	±20%	Y5V	14.7	4	7.5	0.55±0.05	散件
DCH223Z56Y5VN6BL0A0	1KVDC	22000	80%-20%	Y5V	14.7	4	10.0	0.55±0.05	散件
DCH330K22SL N6FJ5A0	1KVDC	33	±10%	SL	5.5	4	5.0	0.55±0.05	编带
DCH330K22SL N6FK5G8	1KVDC	33	±10%	SL	5.5	4	5.0	0.55±0.05	编带
DCH330K22SL N6FL5A0	1KVDC	33	±10%	SL	5.5	4	5.0	0.55±0.05	编带
DCH330K22SL N6FL5BU	1KVDC	33	±10%	SL	5.5	4	5.0	0.55±0.05	编带
DCH330K22SL NEFJ5A0	1KVDC	33	±10%	SL	5.5	4	5.0	0.58Cu 线	编带
DCH330K22SL P6FJ5G8	2KVDC	33	±10%	SL	5.5	5	5.0	0.55±0.05	编带

DCH330K22YR N6FJ5G8	1KVDC	33	±10%	YR	5.5	4	5.0	0.55±0.05	编带
DCH330K22YR P6FJ5C8	2KVDC	33	±10%	YR	5.5	5	5.0	0.55±0.05	编带
DCH330K26SL R6VK7C8	3KVDC	33	±10%	SL	6.8	6	7.5	0.55±0.05	编带
DCH331K22Y5PN60L5C8	1KVDC	330	±10%	Y5P	5.5	4	5.0	0.55±0.05	散件
DCH331K22Y5PN6BL5A0	1KVDC	330	±10%	Y5P	5.5	4	5.0	0.55±0.05	散件
DCH331K22Y5PN6FK5C8	1KVDC	330	±10%	Y5P	5.5	4	5.0	0.55±0.05	编带
DCH331K22Y5PN6FL5A0	1KVDC	330	±10%	Y5P	5.5	4	5.0	0.55±0.05	编带
DCH331K22YR N6FH5GD	1KVDC	330	±10%	YR	5.5	4	5.0	0.55±0.05	编带
DCH331K22YR N6FJ5G8	1KVDC	330	±10%	YR	5.5	4	5.0	0.55±0.05	编带
DCH331K22YR N6FK5G8	1KVDC	330	±10%	YR	5.5	4	5.0	0.55±0.05	编带
DCH331K26Y5PP6FK5A0	2KVDC	330	±10%	Y5P	6.8	5	5.0	0.55±0.05	编带
DCH331K26Y5PP6VK7C8	2KVDC	330	±10%	Y5P	6.8	5	7.5	0.55±0.05	编带
DCH331K26Y5PR6VK7A0	3KVDC	330	±10%	Y5P	6.8	6	7.5	0.55±0.05	编带
DCH331K26Y5PR6VK7C8	3KVDC	330	±10%	Y5P	6.8	6	7.5	0.55±0.05	编带
DCH331K30YR P6FJ5C8	2KVDC	330	±10%	YR	7.8	5	5.0	0.55±0.05	编带
DCH332K46Y5PN6BL0A0	1KVDC	3300	±10%	Y5P	12.3	4	10.0	0.55±0.05	散件
DCH332K46Y5PN6BL5A0	1KVDC	3300	±10%	Y5P	12.3	4	5.0	0.55±0.05	散件
DCH332K53Y5PP65L0A0	2KVDC	3300	±10%	Y5P	14	5	10.0	0.55±0.05	散件
DCH332K53Y5PP6BL0A0	2KVDC	3300	±10%	Y5P	14	5	10.0	0.55±0.05	散件
DCH332Z26Y5VN6BL5A0	1KVDC	3300	80%-20%	Y5V	6.8	4	5.0	0.55±0.05	散件
DCH332Z26Y5VN6FJ5A0	1KVDC	3300	80%-20%	Y5V	6.8	4	5.0	0.55±0.05	编带
DCH332Z26Y5VN6FJ5EE	1KVDC	3300	80%-20%	Y5V	6.8	4	5.0	0.55±0.05	编带
DCH470J22SL N6FJ5A0	1KVDC	47	±5%	SL	5.5	4	5.0	0.55±0.05	编带
DCH470J22SL N6FK5G8	1KVDC	47	±5%	SL	5.5	4	5.0	0.55±0.05	编带
DCH470J22SL N6FL5A0	1KVDC	47	±5%	SL	5.5	4	5.0	0.55±0.05	编带

DCH470J22SL N6FP5A0	1KVDC	47	±5%	SL	5.5	4	5.0	0.55±0.05	编带
DCH470K22SL N6BL5A0	1KVDC	47	±10%	SL	5.5	4	5.0	0.55±0.05	散件
DCH470K22SL N6FJ5A0	1KVDC	47	±10%	SL	5.5	4	5.0	0.55±0.05	编带
DCH470K22SL N6FJ5C8	1KVDC	47	±10%	SL	5.5	4	5.0	0.55±0.05	编带
DCH470K22SL N6FL5A0	1KVDC	47	±10%	SL	5.5	4	5.0	0.55±0.05	编带
DCH470K22SL N6WJ5A0	1KVDC	47	±10%	SL	5.5	4	5.0	0.55±0.05	散件
DCH470K22SL N6WL5A0	1KVDC	47	±10%	SL	5.5	4	5.0	0.55±0.05	散件
DCH470K22SL NEFL5A0	1KVDC	47	±10%	SL	5.5	4	5.0	0.58Cu 线	编带
DCH470K22Y5P16FJ5A0	1KVDC	47	±10%	Y5P	5.5	4	5.0	0.55±0.05	编带
DCH470K22Y5PN6FJ5EZ	1KVDC	47	±10%	Y5P	5.5	4	5.0	0.55±0.05	编带
DCH470K22YR N6FH5GD	1KVDC	47	±10%	YR	5.5	4	5.0	0.55±0.05	编带
DCH470K22YR N6FJ5C8	1KVDC	47	±10%	YR	5.5	4	5.0	0.55±0.05	编带
DCH470K22YR N6FJ5G8	1KVDC	47	±10%	YR	5.5	4	5.0	0.55±0.05	编带
DCH470K22YR P6FH5GD	2KVDC	47	±10%	YR	5.5	5	5.0	0.55±0.05	编带
DCH470K22YR P6FJ5EE	2KVDC	47	±10%	YR	5.5	5	5.0	0.55±0.05	编带
DCH470K22YR P6FJ5G8	2KVDC	47	±10%	YR	5.5	5	5.0	0.55±0.05	编带
DCH470K22YR P6FL5A0	2KVDC	47	±10%	YR	5.5	5	5.0	0.55±0.05	编带
DCH470K26Y5PP6FJ5A0	2KVDC	47	±10%	Y5P	6.8	5	5.0	0.55±0.05	编带
DCH470K30SL R6WL7A0	3KVDC	47	±10%	SL	7.8	6	7.5	0.55±0.05	散件
DCH471K22Y5P16FJ5A0	1KVDC	470	±10%	Y5P	5.5	4	5.0	0.55±0.05	编带
DCH471K22Y5P16FJ5DB	1KVDC	470	±10%	Y5P	5.5	4	5.0	0.55±0.05	编带
DCH471K22Y5PN60L5C8	1KVDC	470	±10%	Y5P	5.5	4	5.0	0.55±0.05	散件
DCH471K22Y5PN6BL5A0	1KVDC	470	±10%	Y5P	5.5	4	5.0	0.55±0.05	散件
DCH471K22Y5PN6CL5A0	1KVDC	470	±10%	Y5P	5.5	4	5.0	0.55±0.05	散件
DCH471K22Y5PN6DL5A0	1KVDC	470	±10%	Y5P	5.5	4	5.0	0.55±0.05	散件

DCH471K22Y5PN6FJ5BU	1KVDC	470	±10%	Y5P	5.5	4	5.0	0.55±0.05	编带
DCH471K22Y5PN6FJ5C8	1KVDC	470	±10%	Y5P	5.5	4	5.0	0.55±0.05	编带
DCH471K22Y5PN6FJ5EZ	1KVDC	470	±10%	Y5P	5.5	4	5.0	0.55±0.05	编带
DCH471K22Y5PN6FL5A0	1KVDC	470	±10%	Y5P	5.5	4	5.0	0.55±0.05	编带
DCH471K22Y5PN6FL5BU	1KVDC	470	±10%	Y5P	5.5	4	5.0	0.55±0.05	编带
DCH471K22Y5PN6VK7A0	1KVDC	470	±10%	Y5P	5.5	4	7.5	0.55±0.05	编带
DCH471K22Y5PN6WK5A0	1KVDC	470	±10%	Y5P	5.5	4	5.0	0.55±0.05	散件
DCH471K22Y5PN6WK7A0	1KVDC	470	±10%	Y5P	5.5	4	7.5	0.55±0.05	散件
DCH471K22Y5PN6WL5A0	1KVDC	470	±10%	Y5P	5.5	4	5.0	0.55±0.05	散件
DCH471K22Y5PNBFJ5A0	1KVDC	470	±10%	Y5P	5.5	4	5.0	0.55±0.05	编带
DCH471K22Y5PNEFJ5A0	1KVDC	470	±10%	Y5P	5.5	4	5.0	0.58Cu 线	编带
DCH471K22Y5PNEVJ7A0	1KVDC	470	±10%	Y5P	5.5	4	7.5	0.58Cu 线	编带
DCH471K22YP N6FJ5EZ	1KVDC	470	±10%	YP	5.5	4	5.0	0.55±0.05	编带
DCH471K22YP N6FL5A0	1KVDC	470	±10%	YP	5.5	4	5.0	0.55±0.05	编带
DCH471K26Y5PP60L5C8	2KVDC	470	±10%	Y5P	6.8	5	5.0	0.55±0.05	散件
DCH471K26Y5PP60L7C8	2KVDC	470	±10%	Y5P	6.8	5	7.5	0.55±0.05	散件
DCH471K26Y5PP6DK5A0	2KVDC	470	±10%	Y5P	6.8	5	5.0	0.55±0.05	散件
DCH471K26Y5PP6FJ5A0	2KVDC	470	±10%	Y5P	6.8	5	5.0	0.55±0.05	编带
DCH471K26Y5PP6FJ5C8	2KVDC	470	±10%	Y5P	6.8	5	5.0	0.55±0.05	编带
DCH471K26Y5PP6FJ7A0	2KVDC	470	±10%	Y5P	6.8	5	7.5	0.55±0.05	编带
DCH471K26Y5PP6JL5A0	2KVDC	470	±10%	Y5P	6.8	5	5.0	0.55±0.05	散件
DCH471K26Y5PP6VK7C8	2KVDC	470	±10%	Y5P	6.8	5	7.5	0.55±0.05	编带
DCH471K26Y5PP6WJ5A0	2KVDC	470	±10%	Y5P	6.8	5	5.0	0.55±0.05	散件
DCH471K26YR N6BL5A0	1KVDC	470	±10%	YR	6.8	4	5.0	0.55±0.05	散件
DCH471K26YR N6DK5A0	1KVDC	470	±10%	YR	6.8	4	5.0	0.55±0.05	散件

DCH471K26YR N6DL5A0	1KVDC	470	±10%	YR	6.8	4	5.0	0.55±0.05	散件
DCH471K26YR N6FH5GD	1KVDC	470	±10%	YR	6.8	4	5.0	0.55±0.05	编带
DCH471K26YR N6FJ5A0	1KVDC	470	±10%	YR	6.8	4	5.0	0.55±0.05	编带
DCH471K26YR N6FJ5C8	1KVDC	470	±10%	YR	6.8	4	5.0	0.55±0.05	编带
DCH471K26YR N6FJ5G8	1KVDC	470	±10%	YR	6.8	4	5.0	0.55±0.05	编带
DCH471K26YR N6FK5G8	1KVDC	470	±10%	YR	6.8	4	5.0	0.55±0.05	编带
DCH471K26YR N6FL5A0	1KVDC	470	±10%	YR	6.8	4	5.0	0.55±0.05	编带
DCH471K26YR N6WL5A0	1KVDC	470	±10%	YR	6.8	4	5.0	0.55±0.05	散件
DCH471K26YR NEFJ5A0	1KVDC	470	±10%	YR	6.8	4	5.0	0.58Cu 线	编带
DCH471K26YR NEFL5A0	1KVDC	470	±10%	YR	6.8	4	5.0	0.58Cu 线	编带
DCH471K30Y5PR6BL5A0	3KVDC	470	±10%	Y5P	7.8	6	5.0	0.55±0.05	散件
DCH471K30Y5PR6FK5A0	3KVDC	470	±10%	Y5P	7.8	6	5.0	0.55±0.05	编带
DCH471K30Y5PR6VK7A0	3KVDC	470	±10%	Y5P	7.8	6	7.5	0.55±0.05	编带
DCH471K30Y5PR6VK7C8	3KVDC	470	±10%	Y5P	7.8	6	7.5	0.55±0.05	编带
DCH471K34YR P6FJ5A0	2KVDC	470	±10%	YR	9	5	5.0	0.55±0.05	编带
DCH471K34YR P6FJ5C8	2KVDC	470	±10%	YR	9	5	5.0	0.55±0.05	编带
DCH471M22Y5UN6WL5A0	1KVDC	470	±20%	Y5U	5.5	4	5.0	0.55±0.05	散件
DCH472K49Y5PN6BL0A0	1KVDC	4700	±10%	Y5P	13	4	10.0	0.55±0.05	散件
DCH472K49Y5PN6BL5A0	1KVDC	4700	±10%	Y5P	13	4	5.0	0.55±0.05	散件
DCH472K49Y5PN6BL7A0	1KVDC	4700	±10%	Y5P	13	4	7.5	0.55±0.05	散件
DCH472K49Y5PN6VJ7A0	1KVDC	4700	±10%	Y5P	13	4	7.5	0.55±0.05	编带
DCH472K49Y5PN6VL7A0	1KVDC	4700	±10%	Y5P	13	4	7.5	0.55±0.05	编带
DCH472K49Y5PN6WL5A0	1KVDC	4700	±10%	Y5P	13	4	5.0	0.55±0.05	散件
DCH472K49Y5PN6WP7A0	1KVDC	4700	±10%	Y5P	13	4	7.5	0.55±0.05	散件
DCH472M30Y5VN6FJ5BU	1KVDC	4700	±20%	Y5V	7.8	4	5.0	0.55±0.05	编带

DCH472M30Y5VN6FL5A0	1KVDC	4700	±20%	Y5V	7.8	4	5.0	0.55±0.05	编带
DCH472M36Y5U16FJ5A0	1KVDC	4700	±20%	Y5U	9.8	4	5.0	0.55±0.05	编带
DCH472M36Y5UN6FJ5A0	1KVDC	4700	±20%	Y5U	9.8	4	5.0	0.55±0.05	编带
DCH472M36Y5UN6FL5AR	1KVDC	4700	±20%	Y5U	9.8	4	5.0	0.55±0.05	编带
DCH472M36Y5UNEVJ7A0	1KVDC	4700	±20%	Y5U	9.8	4	7.5	0.58Cu 线	编带
DCH472M36Y5VP6BL5A0	2KVDC	4700	±20%	Y5V	9.8	5	5.0	0.55±0.05	散件
DCH472M39Y5VR6BL7A0	3KVDC	4700	±20%	Y5V	10.5	6	7.5	0.55±0.05	散件
DCH472M46Y5UP6BL7A0	2KVDC	4700	±20%	Y5U	12.3	5	7.5	0.55±0.05	散件
DCH472M46Y5UP6FL5A0	2KVDC	4700	±20%	Y5U	12.3	5	5.0	0.55±0.05	编带
DCH472Z30Y5VN63L5A0	1KVDC	4700	80%-20%	Y5V	7.8	4	5.0	0.55±0.05	散件
DCH472Z30Y5VN6BL5A0	1KVDC	4700	80%-20%	Y5V	7.8	4	5.0	0.55±0.05	散件
DCH472Z30Y5VN6FJ5A0	1KVDC	4700	80%-20%	Y5V	7.8	4	5.0	0.55±0.05	编带
DCH472Z30Y5VN6WL5A0	1KVDC	4700	80%-20%	Y5V	7.8	4	5.0	0.55±0.05	散件
DCH472Z36Y5VP6BL5A0	2KVDC	4700	80%-20%	Y5V	9.8	5	5.0	0.55±0.05	散件
DCH472Z39Y5VR6BL0A0	3KVDC	4700	80%-20%	Y5V	10.5	6	10.0	0.55±0.05	散件
DCH509D26SL R6VK7C8	3KVDC	5	±0.5PF	SL	6.8	6	7.5	0.55±0.05	编带
DCH561K22Y5PN6FL5A0	1KVDC	560	±10%	Y5P	5.5	4	5.0	0.55±0.05	编带
DCH680J26SL P6FJ5A0	2KVDC	68	±5%	SL	6.8	5	5.0	0.55±0.05	编带
DCH680J26SL P6FK5A0	2KVDC	68	±5%	SL	6.8	5	5.0	0.55±0.05	编带
DCH680K22SL N60L5C8	1KVDC	68	±10%	SL	5.5	4	5.0	0.55±0.05	散件
DCH680K22SL N6FJ5A0	1KVDC	68	±10%	SL	5.5	4	5.0	0.55±0.05	编带
DCH680K22SL N6FJ5C8	1KVDC	68	±10%	SL	5.5	4	5.0	0.55±0.05	编带
DCH680K22SL N6FL5C8	1KVDC	68	±10%	SL	5.5	4	5.0	0.55±0.05	编带
DCH680K22SL N6WL5A0	1KVDC	68	±10%	SL	5.5	4	5.0	0.55±0.05	散件
DCH680K22Y5P16FJ5A0	1KVDC	68	±10%	Y5P	5.5	4	5.0	0.55±0.05	编带

DCH680K22YR N6FJ5C8	1KVDC	68	±10%	YR	5.5	4	5.0	0.55±0.05	编带
DCH680K22YR N6FJ5G8	1KVDC	68	±10%	YR	5.5	4	5.0	0.55±0.05	编带
DCH680K30SL P6FJ5C8	2KVDC	68	±10%	SL	7.8	5	5.0	0.55±0.05	编带
DCH680K30SL P6VK7C8	2KVDC	68	±10%	SL	7.8	5	7.5	0.55±0.05	编带
DCH680K30SL PBFJ5A0	2KVDC	68	±10%	SL	7.8	5	5.0	0.55±0.05	编带
DCH680K36SL R6VK7C8	3KVDC	68	±10%	SL	9.8	6	7.5	0.55±0.05	编带
DCH681K26Y5PN6BL5A0	1KVDC	680	±10%	Y5P	6.8	4	5.0	0.55±0.05	散件
DCH681K26Y5PN6DL5A0	1KVDC	680	±10%	Y5P	6.8	4	5.0	0.55±0.05	散件
DCH681K26Y5PN6FJ5C8	1KVDC	680	±10%	Y5P	6.8	4	5.0	0.55±0.05	编带
DCH681K26Y5PN6FJ5EZ	1KVDC	680	±10%	Y5P	6.8	4	5.0	0.55±0.05	编带
DCH681K26Y5PN6WL5A0	1KVDC	680	±10%	Y5P	6.8	4	5.0	0.55±0.05	散件
DCH681K26Y5PNEWL5A0	1KVDC	680	±10%	Y5P	6.8	4	5.0	0.58Cu 线	散件
DCH681K30Y5PP6FJ5CX	2KVDC	680	±10%	Y5P	7.8	5	5.0	0.55±0.05	编带
DCH681K30Y5PP6FJ5EZ	2KVDC	680	±10%	Y5P	7.8	5	5.0	0.55±0.05	编带
DCH681K30YR N6FJ5A0	1KVDC	680	±10%	YR	7.8	4	5.0	0.55±0.05	编带
DCH681K30YR N6FL5A0	1KVDC	680	±10%	YR	7.8	4	5.0	0.55±0.05	编带

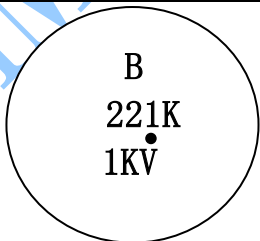
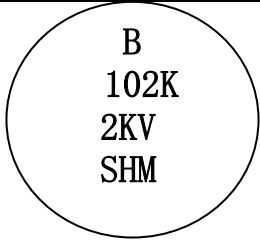
SHMR®

电性能指标 Electrical Performance

序号 No.	项目名称 Item	技术要求 Specification	
1	容量和误差 C	@25°C, 1 kHz and 1 Vrms	参照规格表 See the specification
2	损耗系数 DF	@25°C, 1 kHz and 1 Vrms	2.5% max.
3	绝缘电阻 IR	@500 VDC, 60S	10000MΩmin
4	耐电压 Rate Voltage	1KV	2U _R 无击穿或飞弧。 No visible damage
		2KV	
		3KV	
5	温度特性 temperature characteristic	SL	+ 140~-1100 (10 ⁻⁶ /°C)
		X7R/YR	±15%
		Y5P	±10%
		Y5U	+22% to -56%
		Y5V	+22% to -82%

标志 Marking

例如 e.g

	30#号产品以下 ≤ 30#	34#产品以上 ≥ 34#
正面 Front		

反面 Back	空白 Blank	空白 Blank
------------	-------------	-------------

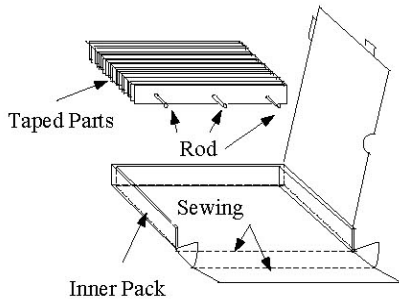
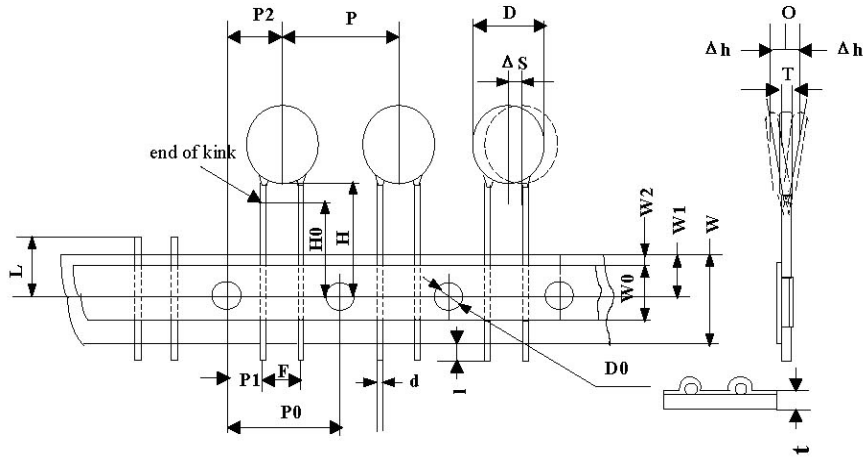
编带样式 **Taping style**

SHMR®

SHMR®

SHMR®

TAPING STYLE F

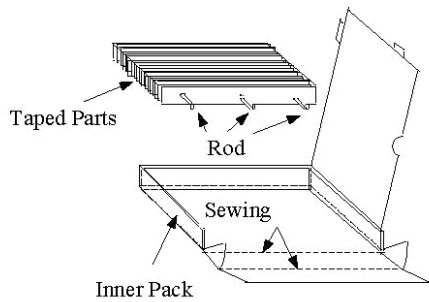
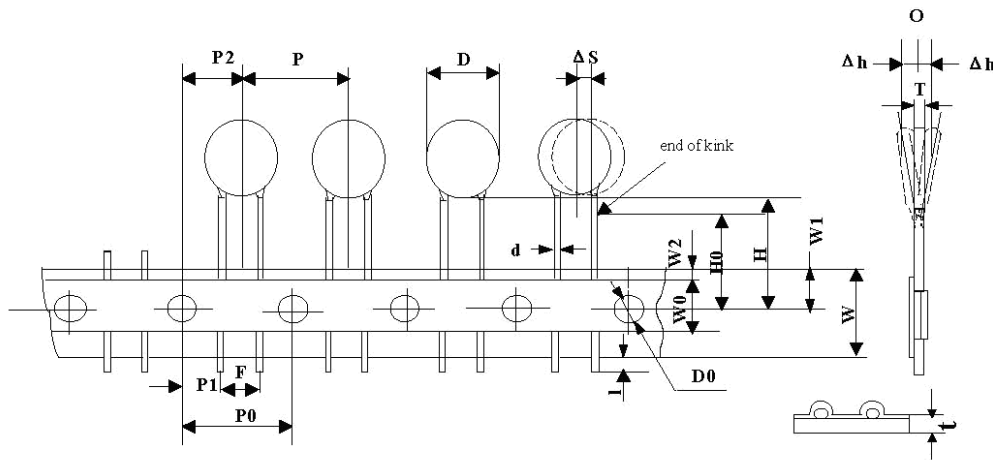


- 1.* For lead styles of inside kink and outside kink only
2. The lead sharp shall change with lead style.

Symbol	Dimension(mm)
P0	12.7±0.2
P	12.7±1.0
F	5.0±0.5
P1	3.85±0.4
P2	6.35±0.4
H0	16.0±0.5*
H	20.0±0.5
W	18.0±0.5
W0	8.0min.
W1	9.0±0.3
W2	3.0max.
t	0.7±0.2
D	To comply with individual sheet
D0	4±0.2
d	To comply with individual sheet
l	2.0max.
L	11max.
T	To comply with individual sheet
Δ S	0.5max.
Δ h	0.5max.

Figure 2

TAPING STYLE V



Symbol	Dimension(mm)
P0	15.0±0.2
P	15.0±1.0
F	7.5±0.5
P1	3.75±0.4
P2	7.5±0.4
H0	16.0±0.5*1
H	20.0±0.5*2
W	18.0±0.5
W0	8.0min.
W1	9.0±0.3
W2	3.0max.
t	0.7±0.2
D	To comply with individual sheet
D0	4±0.2
d	To comply with individual sheet
l	2.0max.
T	To comply with individual sheet
ΔS	1.0 max.
Δh	1.0 max.

1. *1 打弯脚型以H0为准。

For kink lead only.

2. *2 直角产品以H为准。

For straight lead only.

Figure 3

X-ON Electronics

Largest Supplier of Electrical and Electronic Components

Click to view similar products for [Ceramic Disc Capacitors](#) category:

Click to view products by [South HongMing](#) manufacturer:

Other Similar products are found below :

[5AU100JCECA](#) [5AU220JCGCA](#) [5AU560JCJCA](#) [HCU180KBCDRTKR](#) [432202101621](#) [101GHR102K](#) [W1X223MCVCF0KR](#) [CC-100N](#)
[NCD102K1KVY5FF](#) [NCD103M1KVZ5UF](#) [NCD331K1KVY5FF](#) [AOL-1502-02](#) [NCD103M1KVZ5UJTBF](#) [DEF2CLH040CN3A](#)
[F05B1B331KN0B0SHN0](#) [8903D0](#) [90410-10](#) [YV101103Z060HAND5P](#) [SL102101J060BAND5P](#) [YP202102K080D04A7H](#)
[ZU501103M090B20C6P](#) [ZU102103M100X05B0P](#) [YP102271K050B20C6P](#) [YP102391K050BAND5P](#) [YP501101K040BAND5P](#)
[ZU102103M100BAND5H](#) [YP102681K060B20C6P](#) [YP501121K040B20C6P](#) [SL102181J070HAND5P](#) [YP501471K040B20C6P](#)
[SL102151J070HAND5P](#) [YP501102K050HAND5P](#) [ZU501102M050B20C6P](#) [YP501472K100B20C6P](#) [ZU102103M100B20C0P](#)
[YV500223Z080HAND5P](#) [CC1H220KA1EDCH4B1100](#) [HGK3FE102MG3BW](#) [HGK3FF152MA3BW](#) [HGK3FE472MG3BW-3085A5](#)
[SL500330J040B20C2P](#) [SL501510J050B20C6P](#) [SL102221J080HAND5P](#) [YP500103M100HAND5P](#) [YP102101K050B20C5B](#)
[YP500472K070HAND5P](#) [SL102101J060HAND5H](#) [YP102222K080D20C5B](#) [LN202471K080D3EAEH](#) [S103Z59Y5VP6TK7R](#)